



# Electrolux

## Vegetable Slicer Cutter Slicer - 7 QT - Variable Speed

ITEM # \_\_\_\_\_  
 MODEL # \_\_\_\_\_  
 NAME # \_\_\_\_\_  
 SIS # \_\_\_\_\_  
 AIA # \_\_\_\_\_



600520 (K70YVVU)

Vertical Cutter/Mixer, bench-style, variable speed (300-3700 RPM), 7.4 quart capacity bowl, removable bowl design, stainless steel bowl with clear BPA-free lid, microtooth blade rotor, stainless steel housing, 300-3300 RPM, 2 HP, 120v/60/1-ph, 15.0 amps (replaces discontinued PNC 603364)

### Short Form Specification

#### Item No. \_\_\_\_\_

Vertical Cutter/Mixer, bench-style, variable speed (300-3700 RPM), 7.4 quart capacity bowl, removable bowl design, stainless steel bowl with clear BPA-free lid, microtooth blade rotor, stainless steel housing, 300-3300 RPM, 2 HP, 120v/60/1-ph, 15.0 amps (replaces discontinued PNC 603364)

### Main Features

- Delivered with: 7.4qt (7lt) stainless steel cutter bowl, transparent lid, scraper and microtoothed blade rotor.
- Automatic speed limitation according to the selected function (slicer or cutter).
- Capacity: cutter mixer working capacity from 5 ounces (150g) to 8lbs (3.5kg), for 50-150 meals per service.
- Emulsifier function (scraper) included as standard.
- All parts in contact with food are removable without the use of tools, completely dismountable and dishwasher safe.
- Pulse function to coarse chopping.
- Base fixed cover for a better handling.

### Construction

- Power: TRK70 - 1.3 HP.
- Food processing at 10 variable speeds: 300-3700 rpm.
- Stainless steel bowl has a high chimney to ensure high productivity also when processing liquids (75% of the nominal capacity).
- IPX5 (IP55) flat panel touch-control, waterproof panel.
- Compact and portable design.
- Asynchronous industrial motor with no brushes for high reliability and quiet functioning, stainless steel motor shaft.
- Metal motor housing.
- All blades (available on request) are made in stainless steel and dishwasher safe.
- Improved ventilation system to manage smoothly heavy duty use.
- Reinforced feet to withstand the continuous movements of the unit.



APPROVAL: \_\_\_\_\_

Electrolux Professional, Inc.

[www.electroluxusa.com/professional](http://www.electroluxusa.com/professional)

10200 David Taylor Drive, Charlotte, NC 28262 • Telephone Number: 866-449-4200 • Fax Number: 704-547-7401



Electrolux

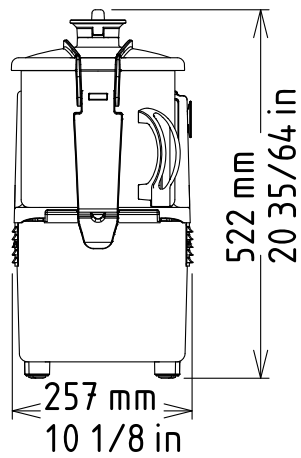
Vegetable Slicer  
Cutter Slicer - 7 QT - Variable Speed



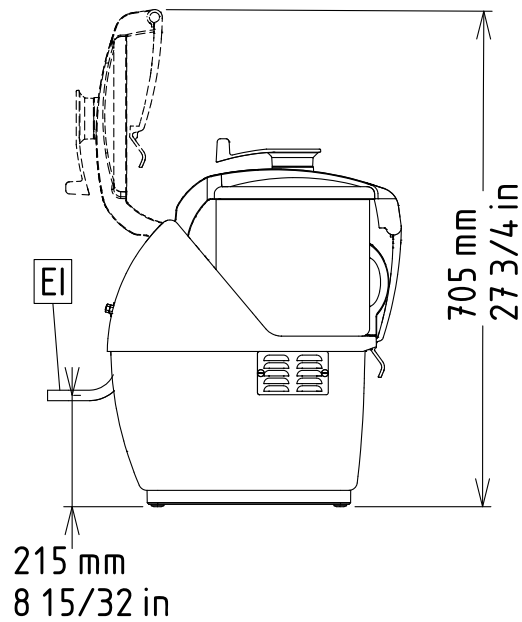
**Electrolux**

# Vegetable Slicer Cutter Slicer - 7 QT - Variable Speed

Front

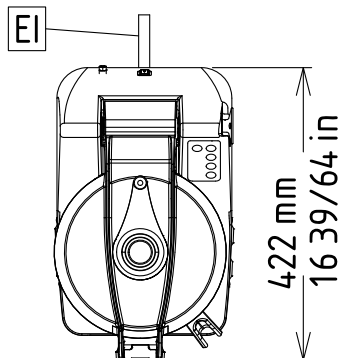


Side



EI = Electrical connection

Top



## Electric

Supply voltage:

600520 (K70YVVU) 110-120 V/1N ph/60 Hz

Total Watts:

1.5 kW

Plug type:

USA NEMA 5-15P

## Key Information:

External dimensions, Width: 10 1/16" (256 mm)

External dimensions, Depth: 16 5/8" (422 mm)

External dimensions, Height: 20 9/16" (522 mm)

Shipping width: 11 13/16" (300 mm)

Shipping depth: 23 5/8" (600 mm)

Shipping height: 21 5/8" (550 mm)

Shipping weight: 60 lbs (27 kg)



**Electrolux**

**Vegetable Slicer  
Cutter Slicer - 7 QT - Variable  
Speed**

**Vegetable Slicer  
Cutter Slicer - 7 QT - Variable Speed**

The company reserves the right to make modifications to the products  
without prior notice. All information correct at time of printing.

2018.09.14