

THIS DRAWING IS THE PROPERTY OF JADE RANGE LLC NO PART OF THIS DOCUMENT MAY BE COPIED OR USED WITHOUT THE WRITTEN PERMISSION.

THIS DRAWING IS A CONCEPTUAL LAYOUT, SUBJECT TO CHANGES AS THE FINAL MANUFACTURING PARTS ARE CREATED.

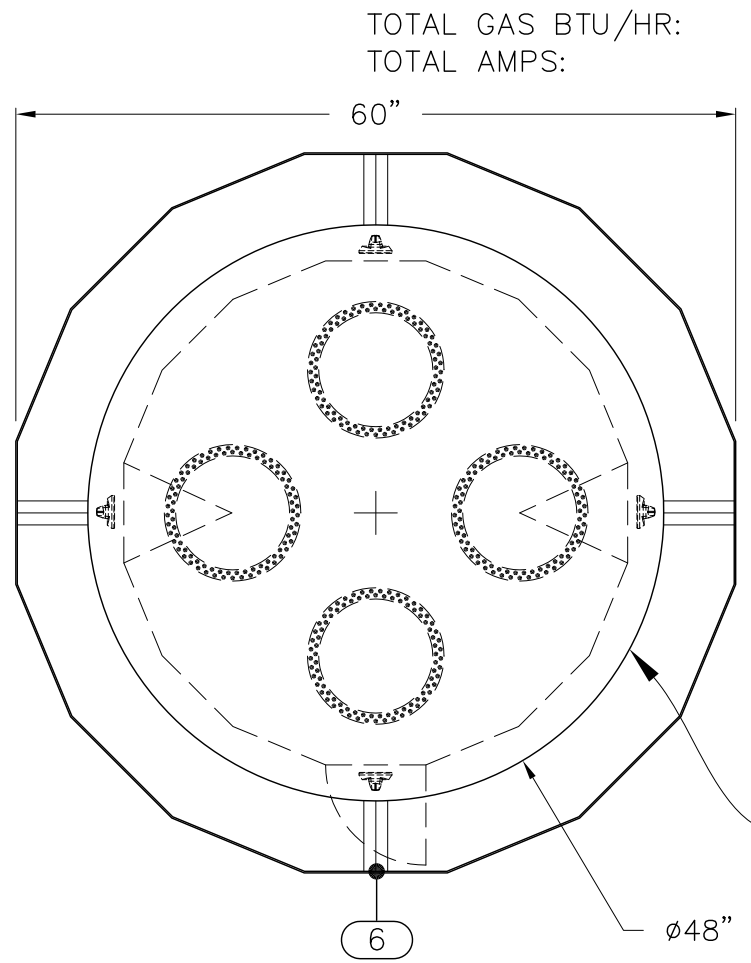
NOTE:

- All units ship assembled unless otherwise specified. Jade Range ships salamanders and cheesemelters range mounted and line-ups & suites ship in as large of sections as possible for easier assembly onsite at the time of install.

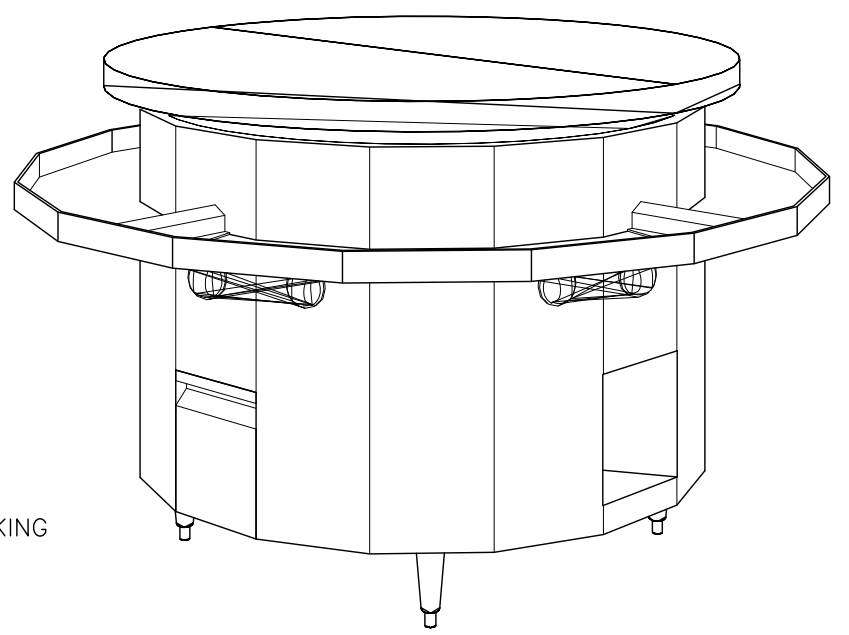
ITEM	QTY	MODEL #	DESCRIPTION	BTU/HR	AMP
6	1	JMG-48	MONGOLIAN GRILL 48", COOKING SURFACE	210,000	N/A

REVISIONS					
REV	DESCRIPTION	ECN	BY	DATE	APPROVED
A	INITIAL DRAWING PER REQUEST	XXX	ECS	10.22.14	
B	REVISED DRAWING PER REQUEST	XXX	ECS	01.20.15	
C	REVISED DRAWING PER REQUEST	XXX	ECS	04.01.16	
D	REVISED DRAWING PER REQUEST	XXX	ECS	06.06.18	
E	REVISED DRAWING PER REQUEST	XXX	ECS	06.12.18	

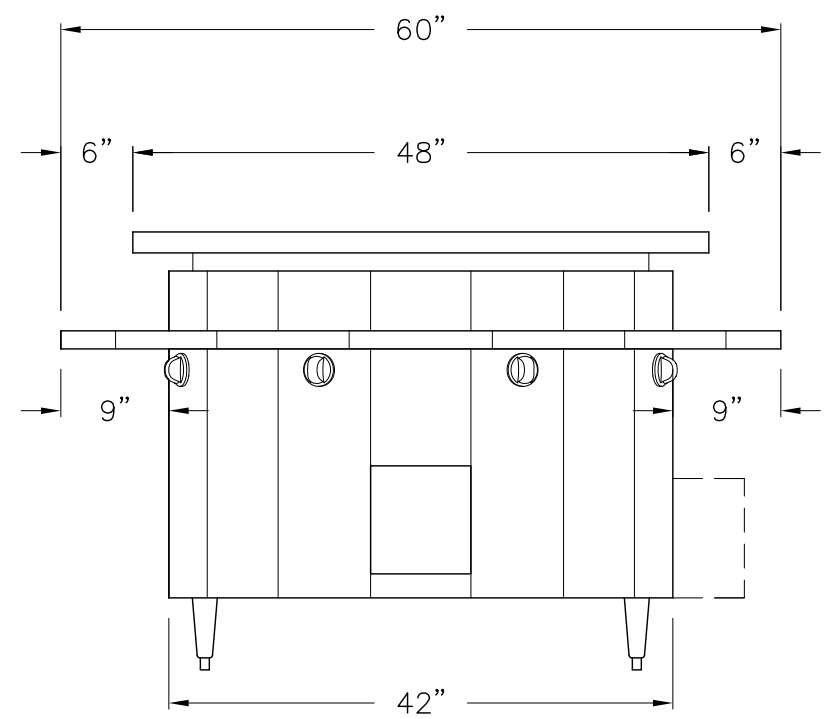
CHANGES TO DRAWING MAY RESULT IN CHANGES TO DELIVERY DATE & COST



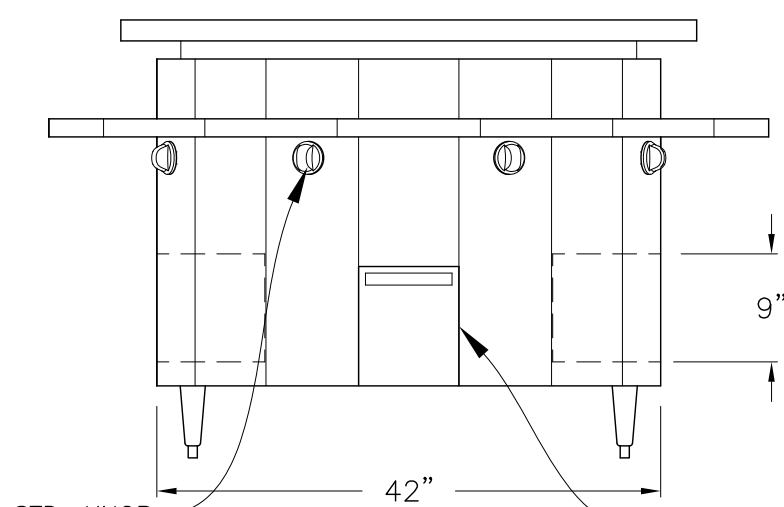
PLAN VIEW



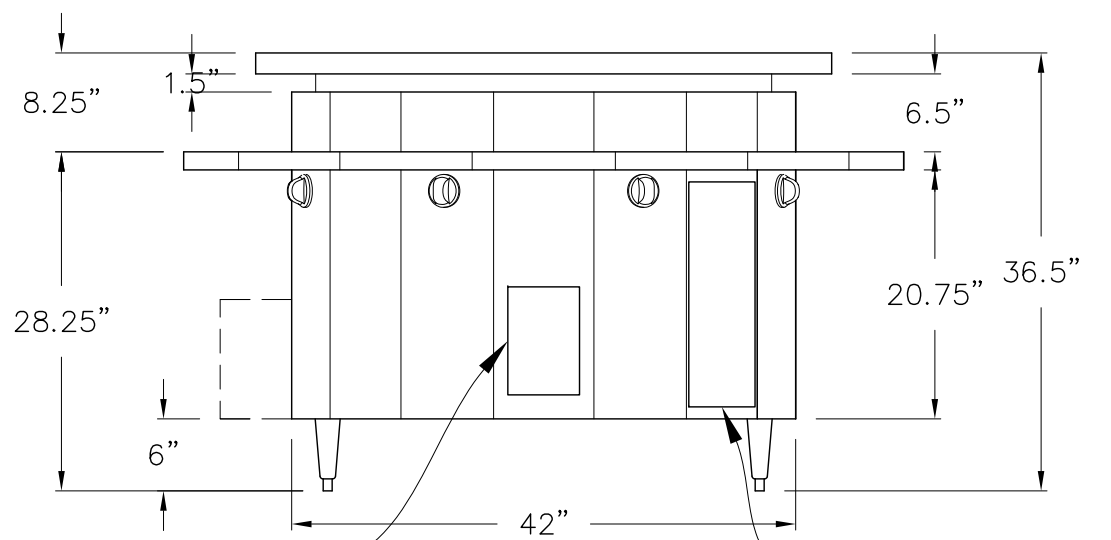
STEEL COOKING SURFACE



SIDE VIEW



ELEVATION



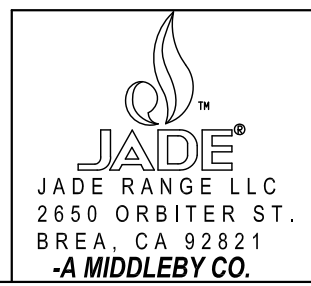
SIDE VIEW

MIN 6" CLEARANCE ABOVE FLUE PEDESTALS

GAS TYPE:	
ELEVATION:	
TO BE SPECIFIED BEFORE MFG.	

- REGULATOR AND GAS CONNECTION
- ELECTRICAL CONNECTION
- DRAIN
- REFRIGERATION
- WATER
- GAS SHUT-OFF VALVES AND CONNECTIONS SUPPLIED BY OTHERS.
- ALL ELECTRICAL WORK (INSTALLATIONS AND CONNECTIONS) MUST BE PROVIDED BY OTHERS (BY CERTIFIED ELECTRICIAN)

PROJECT MANAGER: JASON ADKINS



UNLESS OTHERWISE NOTED DIMENSIONS ARE IN INCHES AND TOLERANCES: .X±.125 .XX±.03 .XXX±.015. ANGLES ±1°			
MATERIAL	DRAWN	ECS	10.22.14
	CHECKED		
FINISH	APPROVED		

DESC		Mongolian Grill 48"	
FOR	SIZE	DWG NO	
	B	14304E	
SCALE	3/4" = 1'-0"		SHEET 2 OF 6