



EKFA 412 N S (120v)

FOUR-TRAY, HALF-SIZE COUNTERTOP
CONVECTION OVEN, MANUAL CONTROLS

RES



Maximum cooking capacity in a small space
Lateral supports for 4 trays at 2 29/32" pitch
(4) 13" x 18" grids included
Temperature range 200 to 500° F
Stainless-steel cooking chamber
Bottom control panel - manual
Mono-directional fan
High-performance oven insulation
High-efficiency motor and fan
Recessed door gasket
Bottom-hinged, dual-paned glass door
Internal glass designed to facilitate easy cleaning
Timed or infinite cooking mode
Internal halogen light

Conforms to the following standards:

- Standard safety UL 197
- CSA C 22.2 No. 109:2017
- Sanitation NSF / ANSI 4-2020



Tecnoeka, Inc.
3385 Denver Drive
Denver, North Carolina 28037

Web Site: www.tecnoeka.com
E-mail: info.usa@tecnoeka.com
Toll Free: 888-626-EKA1 (3521)



Printed in the U.S.A.
August 2024

EKFA 412 N S (120v)

DIMENSIONS	NET	
Width	23.62 in	30 in
Depth	27.91 in	26 in
Height	23.97 in	23 in
Weight	79 lb	88 lb

UTILITY CONNECTIONS

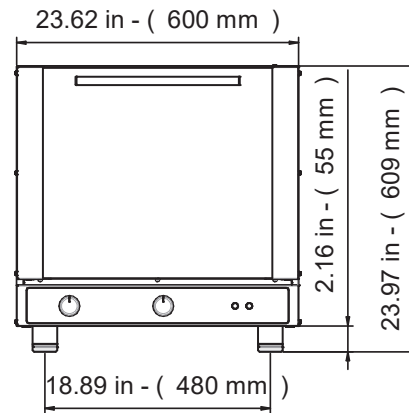
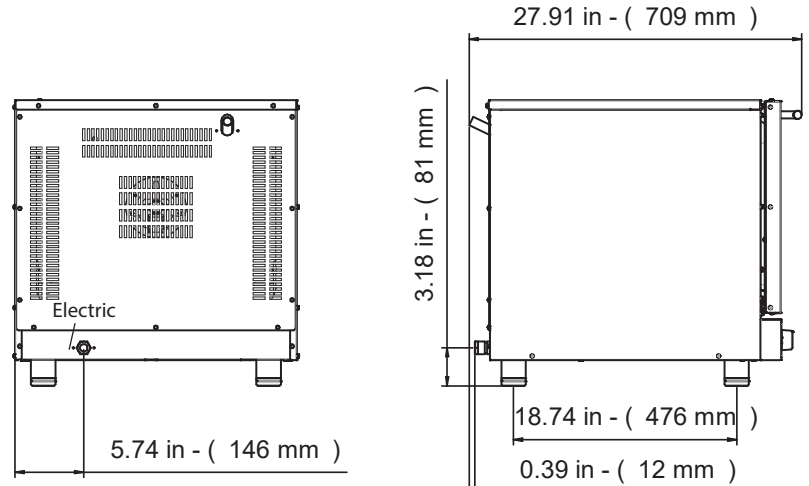
All utility connections should be within three feet of the centerline of the back of the oven when installed.

ELECTRICAL

Power:	1700W
Frequency:	60Hz
Voltage (AC):	120v
Current:	14.5A
NEMA Plug:	5-20P (included)
Breaker size:	20A (recommended)

AVAILABLE OPTIONS AND ACCESSORIES

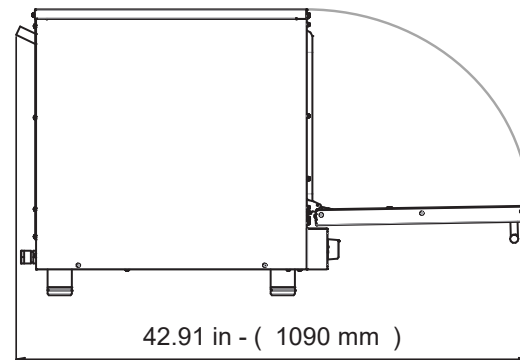
Table - standard height (31.14")	EKTAS 412
Table - w/casters (34.76")	EKTARS 412
13" x 18" half-size chrome grid	EKGAHS
13" x 18" half-size stainless-steel grid	EKGAHSX



* Oven must be installed a minimum of 19.7" (500 mm) from any significant source of heat and/or grease (for example: fryers, burners, kettles, open flames, etc.)

Other surfaces must maintain a minimum of 3.94" (100mm) clearance.

Tecnoeka is not responsible for damage to the oven caused by any external heat source.



Tecnoeka, Inc.
3385 Denver Drive
Denver, North Carolina 28037

Web Site: www.tecnoeka.com
E-mail: info.usa@tecnoeka.com
Toll Free: 888-626-EKA1 (3521)



Printed in the U.S.A.
August 2024