



www.BakeMax.com

Project: _____

Item: _____

Qty: _____ Date: _____

BakeMax BMPLS7FE030 34L Electric Floor Model Fryer

The BakeMax BMPLS7FE030 is a 19kw commercial floor model electric fryer with a 34 liter / 75 lbs. oil capacity. It is suitable for frying a wide variety of basic foods, fresh or frozen: appetizers, chicken, fries, breaded products, etc. Ideal for a restaurant or commercial kitchen with a high-volume of fried foods.

Features:

- Completely Constructed of Stainless-Steel
- Stainless-Steel Fry pot holds up to 40lbs. of Oil
- Two Stainless Steel Fry Baskets Included
- Electronic Safety Thermostat has over-heat protection & offers a temperature range of 200°F - 400°F. (93°C - 204°C) that extends oil life and produces a uniformly cooked product.
- Direct heat-to-element contact heats oil quickly resulting in less absorption and better tasting food.
- 1-1/4" drain valve empties fry pot quickly and safely
- The tilt-up elements offer complete access to the fry pot for cleaning.
- 1-Year Limited Warranty

Product Specifications:

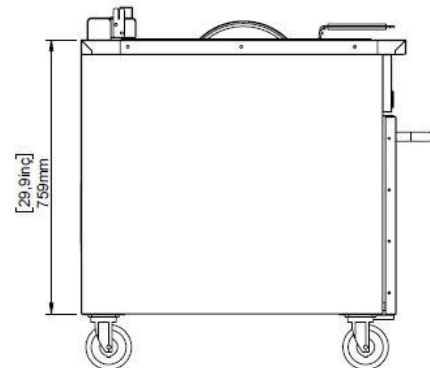
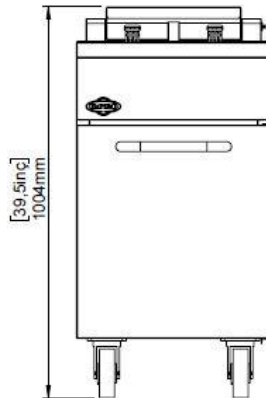
- Product Dimensions (WDH): 19.5" x 38.2" x 39.5"
- Product Weight: 108 lbs.

Shipping Specifications:

- Shipping Dimensions (WDH): 26" x 40" x 44"
- Shipping Weight: 130 lbs.



Intertek Intertek



Electrical Specifications:

- 208V / 91.5A / 19000W / 60Hz / 1Ph
- 208V / 53A / 19000W / 60Hz / 3Ph

**Due to continuous product improvement, specifications are subject to change without notice.

BakeMax® / Titan Ventures International Inc.

Warehouses:

20 Caribou St, Moncton, NB E1H 0P3
 5705 Valley Belt Rd Independence, OH 44131
 1201 E 27th Terrace Pittsburg, KS 66762

Toll Free: 1-800-565-BAKE (2253)

Phone: 506-858-8990

Fax: 506- 859-6929

Email: Sales@BakeMax.com