



STAINLESS STEEL
HAND SINK SIDE SPLASHES
WELDED & BOLT-ON

FEATURES:

Shields surrounding work area from splashes and prevents cross-contamination.

Available as 7-3/4" and 12" high.

Welded Side Splashes - Factory installed only.

Bolt-on Single Panel Side Splash

- Includes holes only. Hardware not included

CONSTRUCTION:

Welded Side Splashes (factory installed) are spot welded and polished to a satin finish.

Bolt-on Side Splashes (field installation) require drilling holes in hand sink to match holes in side splash. Mounting hardware is not included.

MATERIAL:

16 gauge, 300 series stainless steel

Item #:	_____	Qty #:	_____
Model #:	_____		
Project #:	_____		



Welded Side Splashes
 Factory Installed Only



Single Panel Bolt-On Splash
 Hardware Not Included

WELDED

One Side Splash

Two Side Splashes

	Model #	Approx. Weight	Approx. Cu. Ft.	Model #	Approx. Weight	Approx. Cu. Ft.	O.A. Splash Size W x H	Description
7-3/4" High Welded Side Splashes	7-PS-16	5 lbs.	1	7-PS-17	12 lbs.	1	15-1/4" x 9-3/4"	For 10" x 14" Bowls w/ Splash Mt. Faucets
	7-PS-16A	5 lbs.	1	7-PS-17A	12 lbs.	1	16-1/8" x 9-3/4"	For 9" x 9" Bowls
	7-PS-16B	5 lbs.	1	7-PS-17B	13 lbs.	1	17-1/8" x 9-3/4"	For 10" x 14" Bowls w/ Deck Mt. Faucets
	7-PS-16C	7 lbs.	1	7-PS-17C	15 lbs.	1	21-3/4" x 9-3/4"	For 16" x 20" Bowls
	7-PS-16D	8 lbs.	1	7-PS-17D	16 lbs.	1	23-3/8" x 9-3/4"	For Handicapped Hand Sinks
	7-PS-16E	6 lbs.	1	7-PS-17E	14 lbs.	1	19-5/8" x 9-3/4"	For 14" (F/B) x 16" Bowls
12" High Welded Side Splashes	7-PS-16F	6 lbs.	1	7-PS-17F	14 lbs.	1	21-1/8" x 9-3/4"	For 16" (F/B) x 14" Bowls
	7-PS-11	6 lbs.	1	7-PS-15	14 lbs.	1	15-1/4" x 14"	For 10" x 14" Bowls w/ Splash Mt. Faucets
	7-PS-11A	6 lbs.	1	7-PS-15A	14 lbs.	1	16-1/8" x 14"	For 9" x 9" Bowls
	7-PS-11B	6 lbs.	1	7-PS-15B	14 lbs.	1	17-1/8" x 14"	For 10" x 14" Bowls w/ Deck Mt. Faucets
	7-PS-11C	8 lbs.	1	7-PS-15C	18 lbs.	1	21-3/4" x 14"	For 16" x 20" Bowls
	7-PS-11D	9 lbs.	1	7-PS-15D	20 lbs.	1	23-3/8" x 14"	For Handicapped Hand Sinks
	7-PS-11E	7 lbs.	1	7-PS-15E	16 lbs.	1	19-5/8" x 14"	For 14" (F/B) x 16" Bowls
	7-PS-11F	8 lbs.	1	7-PS-15F	18 lbs.	1	21-1/8" x 14"	For 16" (F/B) x 14" Bowls

BOLT-ON

Hardware Not Included

7-3/4" High

12" High

Model #	O.A. Splash Size W x H	Approx. Weight	Approx. Cu. Ft.	Model #	O.A. Splash Size W x H	Approx. Weight	Approx. Cu. Ft.	Description
7-PS-27	15-1/4" x 10"	5 lbs.	1	7-PS-13	15-1/4" x 14"	6 lbs.	1	For 10" x 14" Bowls w/ Splash Mt. Faucets
7-PS-27A	16-1/8" x 10"	6 lbs.	1	7-PS-13A	16-1/8" x 14"	7 lbs.	1	For 9" x 9" Bowls
7-PS-27B	17-1/8" x 10"	6 lbs.	1	7-PS-13B	17-1/8" x 14"	7 lbs.	1	For 10" x 14" Bowls w/ Deck Mt. Faucets
7-PS-27C	21-3/4" x 10"	6 lbs.	1	7-PS-13C	21-3/4" x 14"	7 lbs.	1	For 16" x 20" Bowls
7-PS-27D	23-3/8" x 10"	7 lbs.	1	7-PS-13D	23-3/8" x 14"	8 lbs.	1	For Handicapped Hand Sinks
7-PS-27E	19-5/8" x 10"	7 lbs.	1	7-PS-13E	19-5/8" x 14"	8 lbs.	1	For 14" (F/B) x 16" Bowls
7-PS-27F	21-1/8" x 10"	7 lbs.	1	7-PS-13F	21-1/8" x 14"	8 lbs.	1	For 16" (F/B) x 14" Bowls



Customer Service Available To Assist You 1-800-645-3166 8:30 am - 8:00 pm E.S.T.

For Orders & Customer Service:

Email: customer@advancetabco.com or Fax: 631-242-6900

For Smart Fabrication™ Quotes:

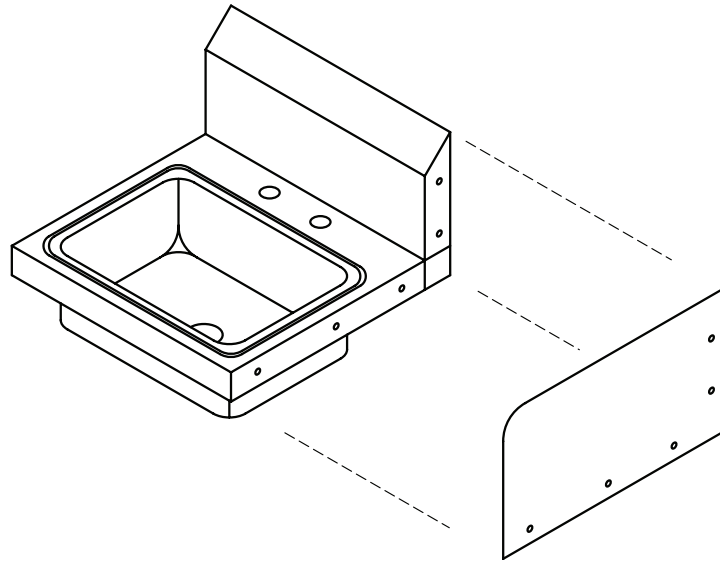
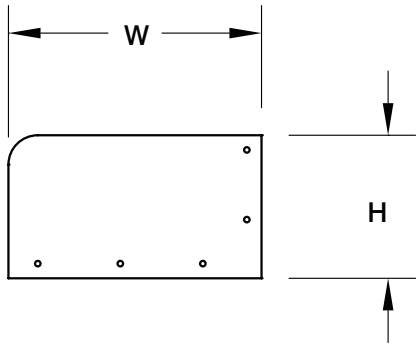
Email: smartfab@advancetabco.com or Fax: 631-586-2933

DIMENSIONS and SPECIFICATIONS

TOL \pm .500"

ALL DIMENSIONS ARE TYPICAL

BOLT-ON SIDE SPLASHES (Hardware Not Included)



WELDED SIDE SPLASHES (Factory Installed Only)

