

Product Specifications
Front-Venting Freezers

- Create a seamless, built-in look that adds a clean, professional appearance, ideal for open kitchens or customer-facing areas.
- Ensure efficient operation in high-traffic areas by directing heat away from the interior, maintaining consistent airflow even in compact spaces.
- Unidirectional casters included for easy maneuverability and stability in tight spaces.



UCFZ327-SS11A

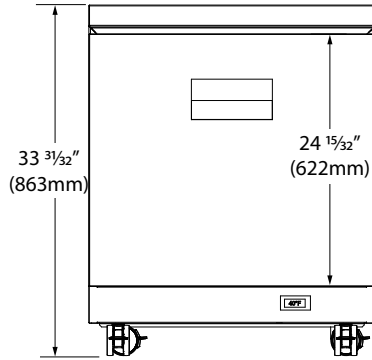


UCFZ332-SS11A

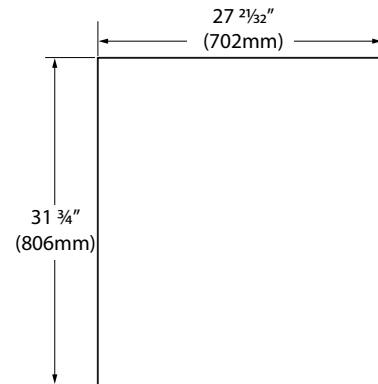
Model	Description	Voltage/Hz/Phase/Amps	Shipping Weight
UCFZ327-SS11A	27" Front-Venting 1 Door Freezer	115 / 60 / 1 / 6	231 lb
UCFZ332-SS11A	32" Front-Venting 1 Door Freezer	115 / 60 / 1 / 6	253 lb

Specifications
UCFZ327-SS11A dimensions: 33 3 ¹ / ₂ " H x 27 2 ¹ / ₂ " W x 31 3 ⁴ / ₄ " D
UCFZ332-SS11A dimensions: 33 3 ¹ / ₂ " H X 32 9 ¹ / ₂ " W X 31 1 ³ / ₁₆ " D
UCFZ327-SS11A: volume of 6.39 cu ft, 1 epoxy coated shelf
UCFZ332-SS11A: volume of 8 cu ft, 1 epoxy coated shelf
AISI 304 stainless steel interior and exterior
Autodefrost
CFC-free high density polyurethane insulated cabinet
Electronic Control
Environmentally friendly R290 refrigerant
Epoxy coated, sealed evaporator eliminates potential corrosion
Factory pre-wired for dedicated outlet, 11 ft cord and plug included NEMA 5-15P
NSF/ANSI Standard 7 compliant
Temperature range: -13°F to 14°F

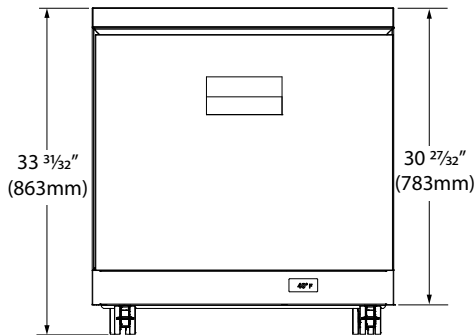
Front (UCFZ327-SS11A)



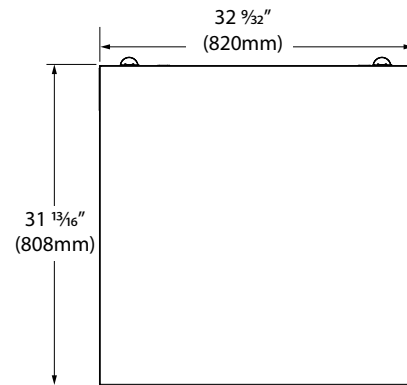
Top



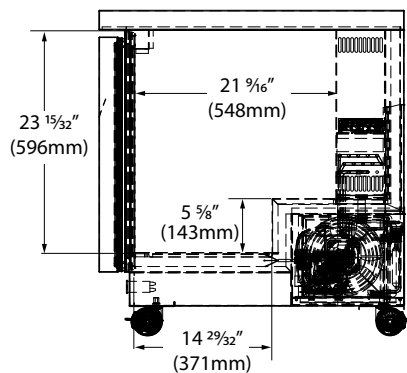
Front (UCFZ332-SS11A)



Top



Side (all models)



Commercial Warranty

3 Year (parts & labor) / 5 year sealed system (parts)
See complete warranty for details