



# DIRECT DRAW DISPENSER

PRO-LINE™ E-SERIES™ 25" - 1 KEG

- Designed by beer-industry experts for performance and value.
- Rugged keg slide - extends floor life.
- Full-size drain tray - larger work area and improved hygiene.
- Commercial grade construction - built to last.
- Analog thermostat.



**MDD23-E**  
Black



**MDD23S-E**  
Stainless Steel



Listed by Edison Testing Laboratories.  
Conforms to UL & NSF Standards.

[www.micromatic.com](http://www.micromatic.com) • 1 (866) 327-4159

PRO-LINE™ E-SERIES™ 25" - 1 KEG

Job Number: \_\_\_\_\_ Location: \_\_\_\_\_

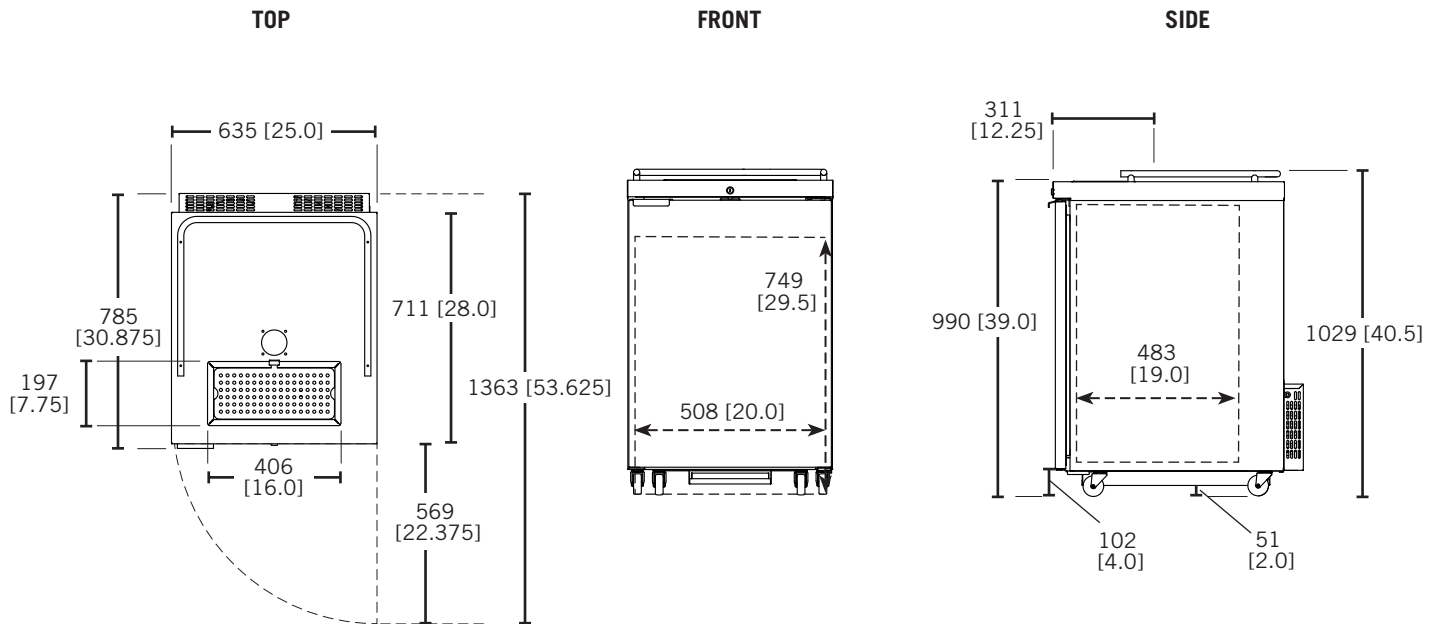
Part No.	Finish	Doors	Shipping Weight
☐ MDD23-E	Black	1	78 kg
			172 lbs
☐ MDD23S-E	Stainless Steel	1	78 kg
			172 lbs

**Operating Performance**

Capacity of 1/2 Kegs	1	Running Amps	2.5
Cubic Feet (liters)	8.4 (239)	Voltage	115/60/1
Number of Draft Towers	1	Plug Type	NEMA-5-15P
Number of Faucets	1	Cord Length	8'
Beer Tower Approval	NSF 7.0 and NSF 18	Refrigerant	R-134a
Approval	ETL Listed	Charge oz	5.64
Condenser HP	1/6	Thermostat	Analog, dial adjustment

Exterior	All Models: 18 gauge stainless steel top, 22 gauge solid doors, 24 gauge steel front, sides and back. Black Vinyl Models: Front, sides. Stainless Steel Models: Front, sides
Interior	20 gauge stainless steel floor, reinforced frame, 24 gauge galvanized walls
Ventilation	Back ventilated
Plumbing	Drain Tray: 3/4" NPT drain includes hose and drain bottle. Automatic condensate evaporator, no drain connection required. Evaporator condensate has been plumbed to a condensate pan located in the compressor housing.
Insulation	Foamed-in-place using high density, CFC-free polyurethane; 2" top, walls and floor.
Casters	Standard

**Dimensions**



 **MICRO MATIC**  
 Toll-Free: 1-866-327-4159  
[www.micromatic.com](http://www.micromatic.com)

**West**  
 19791 Bahama St.  
 Northridge, CA 91324  
 Tel. (818) 701-9765  
 Fax. (818) 701-9844

**Central**  
 10726 North Second St.  
 Machesney Park, IL 61115  
 Tel. (815) 968-7557  
 Fax. (815) 968-0363

**Southeast**  
 15111 Dispense Ln.  
 Brooksville, FL 34604  
 Tel. (352) 799-6331  
 Fax. (352) 796-2429

**Northeast**  
 4601 Saucon Creek Rd.  
 Center Valley, PA 18034  
 Tel. (610) 625-4464  
 Fax. (610) 625-4466