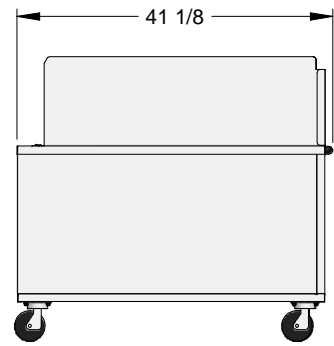
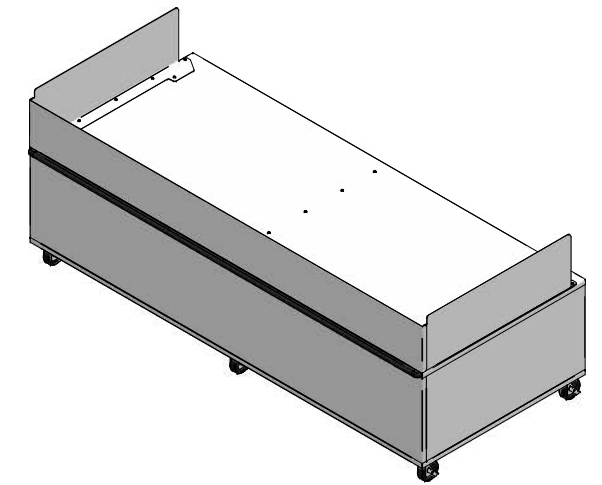
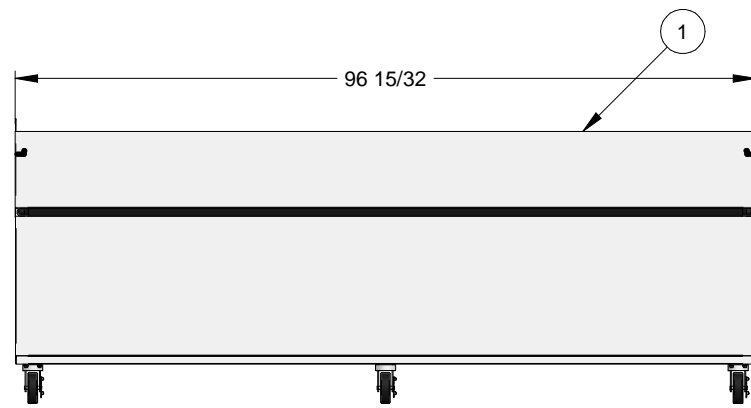


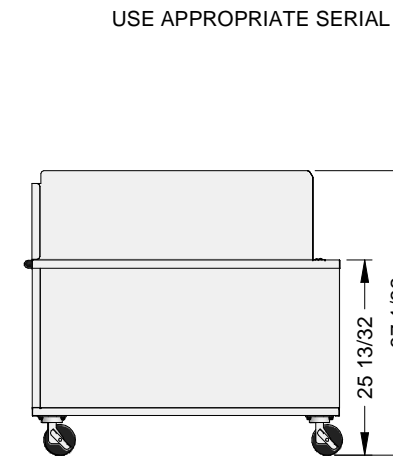
TOP



LEFT

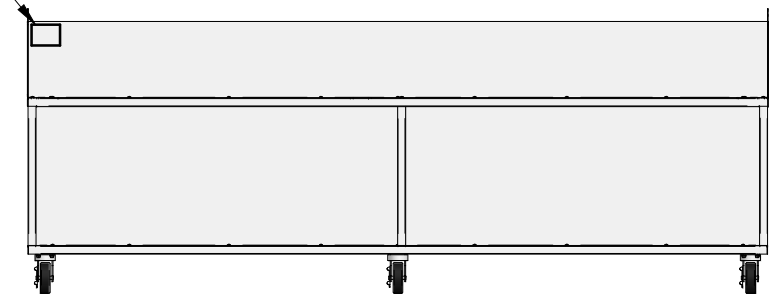


FRONT

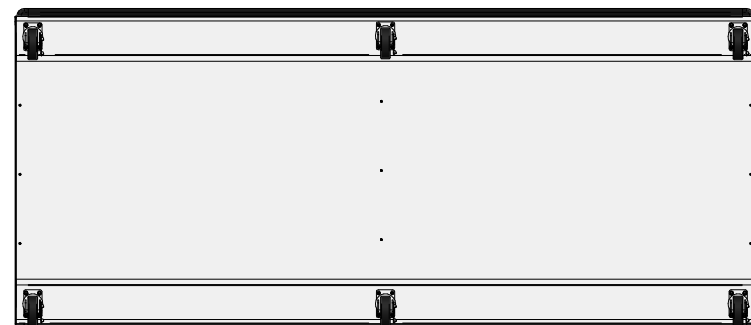


RIGHT

USE APPROPRIATE SERIAL LABEL




BACK



BOTTOM

DEBURRING: PART TO BE FREE OF ALL BURRS AND SHARP EDGES.

ITEM	PART NO.	DESCRIPTION	QTY
1	94759	ASSY, CABINET, GHM8 BASE	1

SYM.	DESCRIPTION	DATE	BY	ECO #
A	RELEASE FOR PRODUCTION	11/02/15	FFJ	ECO
REVISIONS				
 <p>GILES ENTERPRISES, INC. MONTGOMERY, ALABAMA</p>		RESTRICTED CONFIDENTIAL DOCUMENT		
		<p>THIS DRAWING AND ALL THE INFORMATION SHOWN HEREON ARE THE EXCLUSIVE PROPERTY OF GILES ENTERPRISES, INC. AND ARE SUBMITTED ONLY ON A CONFIDENTIAL BASIS. THE RECIPIENT AGREES NOT TO REPRODUCE THE DRAWING, TO RETURN IT UPON REQUEST, AND THAT NO DISCLOSURE OF THE DRAWING OR THE INFORMATION SHOWN HEREON WILL BE MADE TO A THIRD PARTY WITHOUT THE PRIOR WRITTEN CONSENT OF GILES ENTERPRISES, INC.</p>		
SHEET METAL DEPT. DECIMALS .XX = ±.031 .XXX = ±.020 ANGULAR ± 2°		TITLE: <b>BASE, PUP-8 FOR GHM8-C, S/S</b>		
MACHINE SHOP DECIMALS .XX = ±.010 .XXX = ±.005 ANGULAR ± 0.5°		SUBJECT/MODEL: <b>PUP-8</b>		
WELDING/ASSEMBLY DEPT. DECIMALS/FRACTIONS ±1/32 ANGULAR ± 0.5°		RAW MAT'L: DEPT.: <b>ASSEMBLY</b>		
TOLERANCES UNLESS OTHERWISE SPECIFIED		DWG. BY: <b>FFung</b>		DATE: <b>11/2/2015</b>
		CH. BY:	SCALE: <b>NONE</b>	DWG. NO.: <b>71657</b>