

Champion®

The Dishwashing Machine Specialists

Project _____
Item No. _____
Quantity _____

STANDARD FEATURES

- **NEW Auto Delime Function**
- **36" Heavy Duty Pre-Wash**, for high soil applications
- Perpetual rack advance system, with intuitive jam alert, and drive protection
- Proportional rinse, delivering unmatched total ware coverage, utilizing digital pattern cloning, stainless steel nozzles
- 348 racks per hour
- 100 GPH with energy sentinel (idle pump shut-off)
- Prodigy series HMI display, intuitive condition alerts, with user friendly cleaning and operation visual guidance, multi-lingual, touch control
- Proactive maintenance interface, self-diagnostics, problem recognition, with repair recommendation, from HMI touch screen
- Automatic tank fill
- Programmable machine dwell with automatic rack alignment into the optimal wash zone
- **Automatic drain valve *Exclusive!***
- Single-piece hood design
- Single-piece stainless steel upper and lower wash arm manifolds
- Two point electrical connection, machine and built-in booster heater
- 20" standard vertical clearance which accommodates 18" x 26" sheet pans
- Full 180° opening leak proof insulated hinged access doors
- Stainless steel heavy gauge construction including base, legs and feet
- Enclosure panels (front and sides)
- 2 HP pump motors, with stainless steel impellers
- Factory Authorized Start-up
- Vent fan control
- **ENERGY STAR® Qualified**
- **Made in America**



PRO SERIES

100 PRO HD

High Temperature 2-Tank Rack Conveyor Dishwashing Machine



Model 86PRO shown with heat recovery, and vent cowls.



Photo is for general visual representation only. Please refer to specifications for the latest detailed product information.

SPECIFIER STATEMENT

Specified unit will be Champion Model 100 PRO Series 2-tank high temperature rack conveyor dishwashing machine, with heavy duty pre-wash. Features top mounted Prodigy HMI user interface controls with proactive maintenance software, proportional rinse, using only 100 GPH, built-in 21 kW booster, progressive anti-jam drive system, energy sentinel (idle pump shut-off), 348 racks per hour, single-piece hood design, single-piece stainless steel upper & lower wash arms manifolds, full 180° opening leak proof insulated hinged access doors. 1 year parts and labor warranty.

Champion Industries, Inc.
3765 Champion Blvd., Winston-Salem, NC 27105
Tel: 336/661-1556 Fax: 336/661-1979
www.championindustries.com

PRO SERIES 2-TANK RACK CONVEYOR

PRO SERIES

100 PRO HD

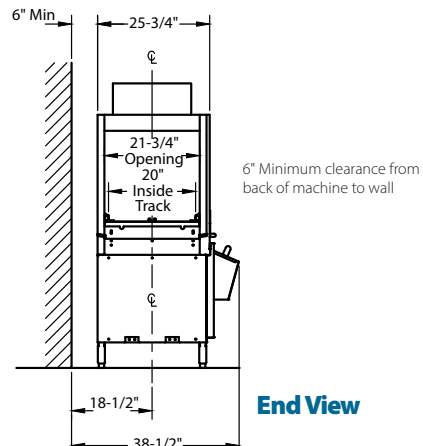
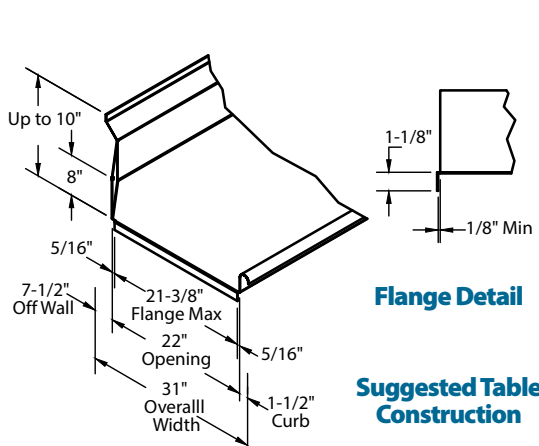
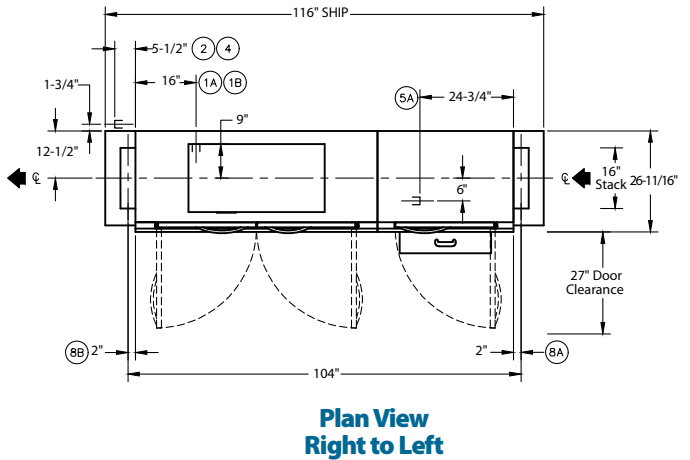
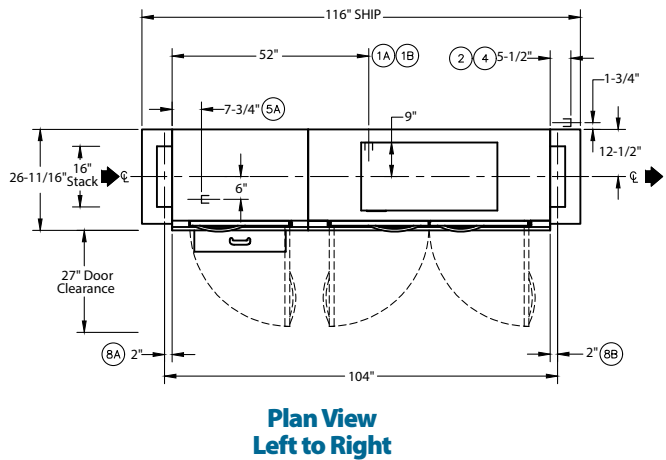
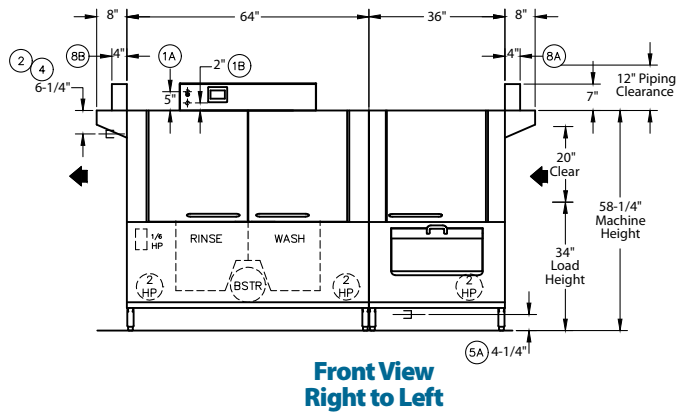
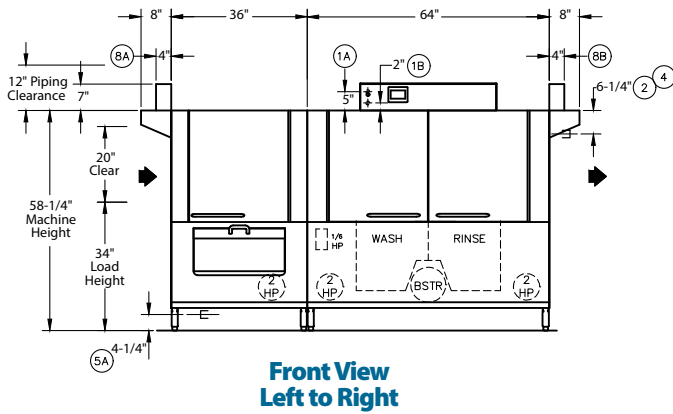
High Temperature 2-Tank Rack Conveyor
Dishwashing Machine

Champion®

The Dishwashing Machine Specialists

MODEL 100 PRO Shipping weight crated: 1,300lbs

Dimensions shown in inches [mm]



Due to an ongoing value analysis program at Champion, specifications contained in this catalog are subject to change without notice.

Champion Industries, Inc., 3765 Champion Blvd., Winston-Salem, NC 27105 • 336/661-1556 • Fax: 336/661-1979 • www.championindustries.com

PRO SERIES

100 PRO HD

High Temperature 2-Tank Rack Conveyor Dishwashing Machine

Champion®

The Dishwashing Machine Specialists

| Utilities | |
|-----------|--|
| 1 | Electrical Connection – Machine requirements 6.17Hp, 25kW tank heat (See electrical chart for amp loads) (Stepdown transformer provides 120V cont.) A Machine w/o booster B 21kW 70° rise booster B 12kW 40° rise booster |
| 2 | Hot Water 110°F 3/4" NPT Connection with internal booster water consumption 100 gph at 20 psi |
| 3 | Cold Water 50°F - 70°F (optional) 1/2" NPT drain water tempering kit PRV to be supplied by others if pressure exceeds 60 psi |
| 4 | Hot Water 180°F 3/4" NPT water consumption 100 gph at 20 psi PRV by others if pressure is higher (water connection without supplied booster) |
| 5 | Drain Connection 1-1/4" NPT machine |
| 8 | Vents 4" x 16" Inside A Load end: 150 CFM at 1/4" SP B Unload end: 400 CFM at 1/4" SP |

Two Tank PRO Rack With 36" Prewash Machine and Booster Ratings

The tables below give the ratings for each model. The ratings include the requirements of the 12 and 21 KW booster heaters when they are use.

Machines with a dual point electrical connection:

| 100 PRO Electric, 21 kW Booster Only | | | |
|--------------------------------------|------------|---------------------------------|---------------------------------------|
| Electrical Specifications | Rated Amps | Minimum Supply Circuit Ampacity | Maximum Overcurrent Protective Device |
| 208/60/3 | 59 | 80 | 80 |
| 240/60/3 | 51 | 70 | 70 |
| 480/60/3 | 26 | 35 | 35 |
| 575/60/3 | 22 | 30 | 30 |

| 100 PRO Electric, 12 kW Booster Only | | | |
|--------------------------------------|------------|---------------------------------|---------------------------------------|
| Electrical Specifications | Rated Amps | Minimum Supply Circuit Ampacity | Maximum Overcurrent Protective Device |
| 208/60/3 | 34 | 45 | 45 |
| 240/60/3 | 29 | 40 | 40 |
| 480/60/3 | 15 | 20 | 20 |
| 575/60/3 | 12 | 15 | 15 |

| 100 PRO Machine Connection, Electric Tank Heat, No Booster | | | |
|--|------------|---------------------------------|---------------------------------------|
| Electrical Specifications | Rated Amps | Minimum Supply Circuit Ampacity | Maximum Overcurrent Protective Device |
| 208/60/3 | 98 | 125 | 125 |
| 240/60/3 | 85 | 110 | 110 |
| 480/60/3 | 42 | 60 | 60 |
| 575/60/3 | 33 | 45 | 45 |

Warning: Plumbing and electrical connections should be made by qualified personnel who will observe all the applicable plumbing, sanitary, safety codes and the National Electrical Code.

Note: Water Hammer Arrestor (meeting ASSE-1010 standard or equivalent) to be supplied (by others) in common water supply line at service connection.

Plumbing Notes: Because of the variation in house-supplied steam and water pressures, steam and water pressure regulating valves (PRVs) may be needed. (Water PRV is standard on machines with booster.) The PRVs can either be purchased from Champion or obtained locally.

SPECIFICATIONS

Capacity

| | |
|---|------|
| Racks per hr. (NSF rated) | 348 |
| Wash tank (US gal.) | 17 |
| Power Rinse tank | 17 |
| Conveyor speed (ft/min.) | 9.55 |
| Conveyor speed Pot/Pan Mode (ft/min.) | 4.6 |
| (only one rack at a time in Pot/Pan Mode) | |

Motor Horsepower

| | |
|---------|-----|
| Drive | 1/6 |
| Wash | 2 |
| Rinse | 2 |
| Prewash | 2 |

Water Consumption

| | |
|----------------------------|------|
| US Gal. per hr. (max. use) | 100 |
| US Gal. per rack | 0.29 |

Heating

| | |
|---|----|
| Tank Heat, electric (kW) | 25 |
| Electric booster (built-in) (kW supplied for 40°F rise) | 12 |
| Electric booster (built-in) (kW supplied for 70°F rise) | 21 |
| <i>Booster heaters completely inter plumbed, controls are intertwined</i> | |

Venting

| | |
|--------------------------|-----|
| Load end (minimum CFM) | 150 |
| Unload end (minimum CFM) | 400 |

Standard 20" x 20" rack complement

| | |
|------|---|
| Peg | 1 |
| Flat | 1 |

Machines with a single point electrical connection:

| 100 PRO Electric Booster | | | |
|---------------------------|------------|---------------------------------|---------------------------------------|
| Electrical Specifications | Rated Amps | Minimum Supply Circuit Ampacity | Maximum Overcurrent Protective Device |
| 208/60/3 | 132 | 175 | 175 |
| 240/60/3 | 114 | 150 | 150 |
| 480/60/3 | 57 | 80 | 80 |
| 575/60/3 | 45 | 60 | 60 |

| 100 PRO Electric 21kW Booster | | | |
|-------------------------------|------------|---------------------------------|---------------------------------------|
| Electrical Specifications | Rated Amps | Minimum Supply Circuit Ampacity | Maximum Overcurrent Protective Device |
| 208/60/3 | 157 | 200 | 200 |
| 240/60/3 | 136 | 175 | 175 |
| 480/60/3 | 68 | 90 | 90 |
| 575/60/3 | 55 | 70 | 70 |

Venting Notes: Fabricated duct size: 3-7/8" x 15-7/8" (Outside dimensions)

Optional Drain Tempering: 1/2" NPT cold water connection required. 1/2" NPT drain connection from back flow preventer to house drain. (FIELD INSTALLED and PLUMBED).

Due to an ongoing value analysis program at Champion, specifications contained in this catalog are subject to change without notice.

Champion Industries, Inc., 3765 Champion Blvd., Winston-Salem, NC 27105 • 336/661-1556 • Fax: 336/661-1979 • www.championindustries.com

PRO SERIES

100 PRO HD

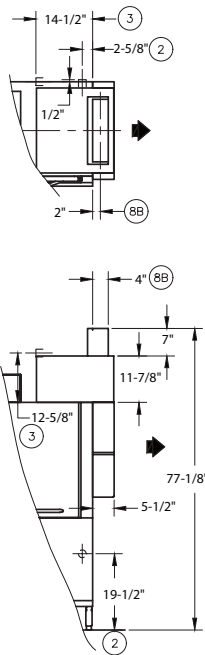
High Temperature 2-Tank Rack Conveyor Dishwashing Machine

PRO SERIES RACK CONVEYOR

OPTIONS & ACCESSORIES

- 33" Blower Dryer – steam or electric
- Booster Heaters (completely interplumbed, controls are interwired)
 - Electric: 40-70°F rise (*see spec sheet*)
- Cantilever sideloader for 90° operation
 - 24" cantilever sideloader
 - 30" cantilever sideloader
- Racks: Peg (specify qty _____)
- Racks: Flat (specify qty _____)
- Racks: Sheet pan (specify qty _____)
- Table limit switch (recommended on all rack conveyor installations) (unmounted)
 - Button style
 - Whisker style
- Vent cowl, stainless steel with 7" stack and locking damper
- Extended Vent Cowl
- Water pressure regulating valve (unmounted) (standard with booster)
- Water hammer kit (unmounted)
- Drain tempering kit (unmounted)
- Model PRO 90 Unloader (90° Corner Conveyor Table)
- Model RCT 64 or RCT 84 Roller Conveyor Table (Contact factory for custom length)
- Splash shields
- ION scale prevention device (unmounted)
- Stainless steel rear enclosure panels
- Detergent and rinse-aid pump kit (factory mounted)
- Heat Recovery

| | |
|----------|--|
| 2 | Hot Water 110°F 3/4" NPT initial fill; 30 psi minimum feed |
| 3 | Cold Water (min. 55°F) 1/2" NPT Water Consumption 100 GPH at 20 psi; 30 psi minimum feed |
| 4 | Vent (4"x16" inside) Unload end: 200CFM at 1/4" S.P. Direct venting not required if canopy venting is in use. |



Champion[®]

The Dishwashing Machine Specialists



NEW PRO-90
90° Corner Conveyor Table (shown)
Unloader only



Cantilever Sideloader
(No hood)



Model RCT 64 or RCT 84
Roller Conveyor Table

Champion Industries, Inc.,
3765 Champion Blvd.
Winston-Salem, NC 27105
336/661-1556 • Fax: 336/661-1979
ChampionIndustries.com