



FE-10-N
Electric Fryer
Countertop – Single Well



FED-20-N
Electric Fryer
Countertop – Double Well

STANDARD FEATURES

- SKYFOOD Single and Double Well Electric Fryers are easy to use and clean.
- Can be used to fry different types of foods, such as: chicken, fish, French fries and more.
- Basket, well, control panel and housing are easily removable for cleaning.
- Stainless steel construction.
- Stainless steel cover protects oil when fryer is not in use.
- Elapsed time to reach Maximum Temperature: 6 minutes.

ILLUSTRATIVE PHOTO. ACTUAL PRODUCTS AND ACCESSORIES ARE SUBJECT TO CHANGE WITHOUT NOTICE.



Skyfood Equipment LLC
175 SW 7th Street, Ste 2416
Miami, FL 33130

Toll Free:
1-800-503-7534
sales@skyfood.us

www.skyfood.us

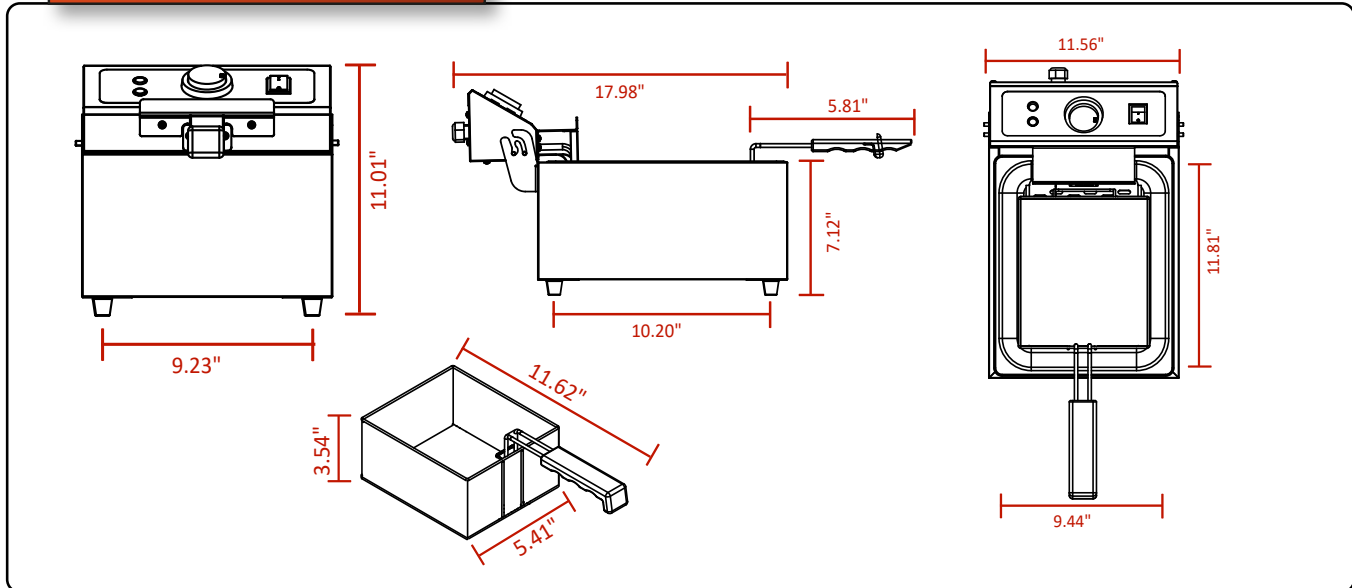
 AutoQuotes

 beedash

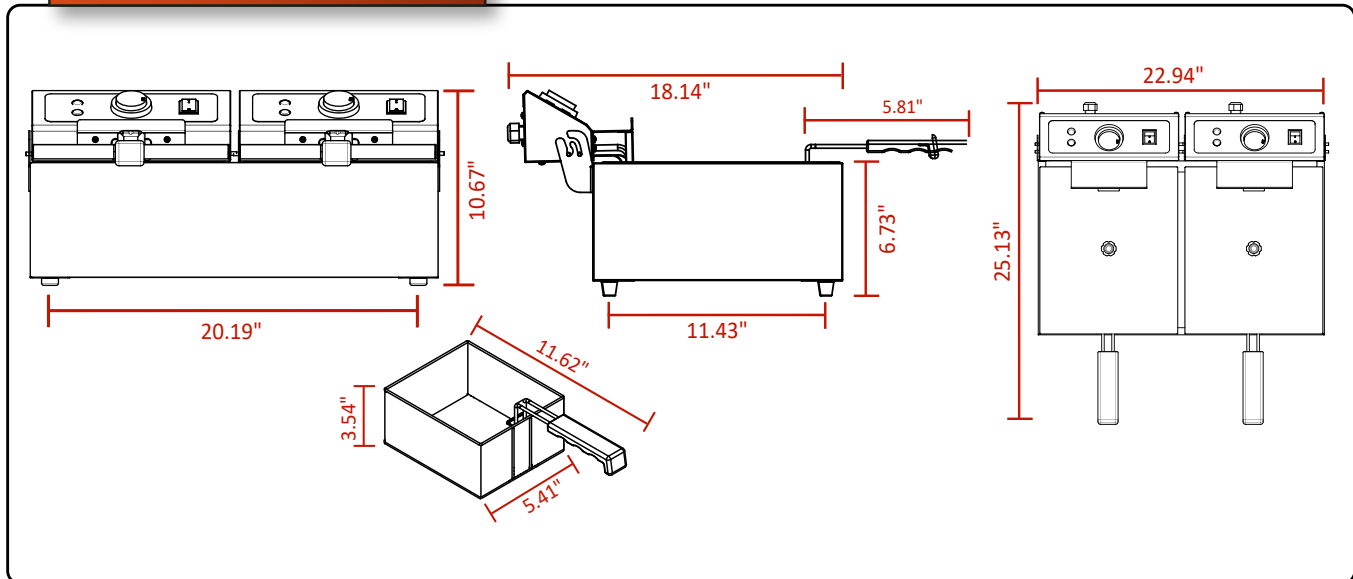




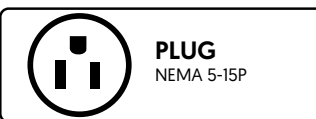
DIMENSIONS - FE-10-N



DIMENSIONS - FED-20-N



WARRANTY 01 YEAR PARTS AND LABOR VALID IN THE CONTINENTAL UNITED STATES.



Item	Voltage	Amps	Power Rating	Dimensions (W x D x H)	Weight (Net x Ship)	Well Capacity	Maximum Temperature	PLUG
FE-10-N	110V	19	2000 W	11.56" x 25.13" x 11.01"	9 lb x 21 lb	10 lb	392 F	NEMA 5-15P
FED-20-N	110V	2 X 19	2 X 2000 W	22.94" x 25.13" x 10.67"	18 lb x 35 lb	2 X 10 lb	392 F	NEMA 5-15P

ILLUSTRATIVE PHOTO. ACTUAL PRODUCTS AND ACCESSORIES ARE SUBJECT TO CHANGE WITHOUT NOTICE



Skyfood Equipment LLC
175 SW 7th Street, Ste 2416
Miami, FL 33130

Toll Free:
1-800-503-7534
sales@skyfood.us

www.skyfood.us

