

# Dollies

## BUN PAN / DOUGH BOX DOLLY

ALUMINUM CONSTRUCTION

MODEL	H	W	D	WT
<b>HEAVY DUTY BUN PAN TRUCK</b>				
XBPT-1	55"	21¼"	26½"	30
XBPT-2	55"	40¾"	26½"	50
<b>HEAVY DUTY HIGH CAPACITY BUN PAN DOLLY</b>				
XBPT-1AB	73"	21¾"	28"	75
<b>BUN PAN DOLLY / TRUCK</b>				
BPT-2	33½"	20½"	27½"	22
BPT-2TP	33½"	20½"	27½"	23
BPD	7½"	18¾"	26½"	20
<b>DOUGH BOX DOLLY</b>				
PBD	7½"	17¾"	25¼"	15

† Flyer Item

## GLASS RACK / MILK CRATE DOLLY

ALUMINUM CONSTRUCTION

MODEL	Racks/Crates	H	W	D	WT
<b>GLASS RACK DOLLIES</b>					
GRD	1 / 20" x 20"	7½"	22"	22"	14
GRD2	2 / 20" x 40"	7½"	44"	22"	20
<b>MILK CRATE DOLLIES</b>					
MC1313	1 / 13" x 13"	7½"	14¼"	14¼"	14
MC1326	2 / 13" x 13"	7½"	14¼"	27¼"	16
MC1319	1 / 13" x 19"	7½"	14¼"	20¼"	15
MC1338	2 / 13" x 19"	7½"	27¼"	20¼"	17

## POULTRY CRATE DOLLY W/ DRIP PAN

ALUMINUM OR STAINLESS STEEL

MODEL	H	W	D	WT
SPCD-A	13"	23"	28"	25
SPCD-S	12½"	20"	27"	33

Options:

PH-10 Pull Hook –  
Factory installed, must be ordered with dolly.

## MOBILE DUNNAGE DOLLY

ALUMINUM CONSTRUCTION

MODEL	H	W	D	WT
MD2024	8"	24"	20"	29
MD2036	8"	36"	20"	31
MD2042	8"	42"	20"	33
MD2048	8"	48"	20"	35
MD2054	8"	54"	20"	37
MD2060	8"	60"	20"	39
MD2424	8"	24"	24"	30
MD2436	8"	36"	24"	32
MD2442	8"	42"	24"	34
MD2448	8"	48"	24"	36
MD2454	8"	54"	24"	38
MD2460	8"	60"	24"	40
<b>SOLID TOP</b>				
AD2428	8"	28"	24"	34
AD2433	8"	33"	24"	37
AD2440	8"	40"	24"	40

For further details, see complete specifications at AutoQuotes or channelmfg.com.



XBPT-2

LIFETIME TOUGH



XBPT-1AB



BPT-2TP



BPD

Custom Sizes Available

5-YEAR WARRANTY



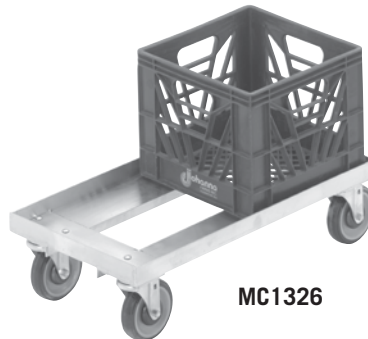
PBD



SPCD-S



GRD



MC1326

OPTION FOR MOBILE DUNNAGE:  
/H24 24" high handle –  
Factory installed, must order with dolly.



MD2036



OPTION:  
/052 HD caster upgrade –  
2,000 lbs. weight capacity.