



Features

Eco-Friendly Refrigerant

R290 refrigerant with a global warming potential (GWP) of 3

Easy to Clean

Aluminum interior, coved corners, finished edges, and removable shelves

High-Strength Door

Heavy-duty, stainless steel door assembled using high-load brackets for long lasting durability

Long-Lasting, Removable Gaskets

Santoprene™ gaskets last four times longer than standard gaskets

High-Density Insulation

Foamed-in-place, CFC-free polyurethane insulation for maximum strength, rigidity, and insulation

High-Efficiency Refrigeration System

Forced air circulation provides uniform temperature throughout the cabinet

Cabinet Capacity

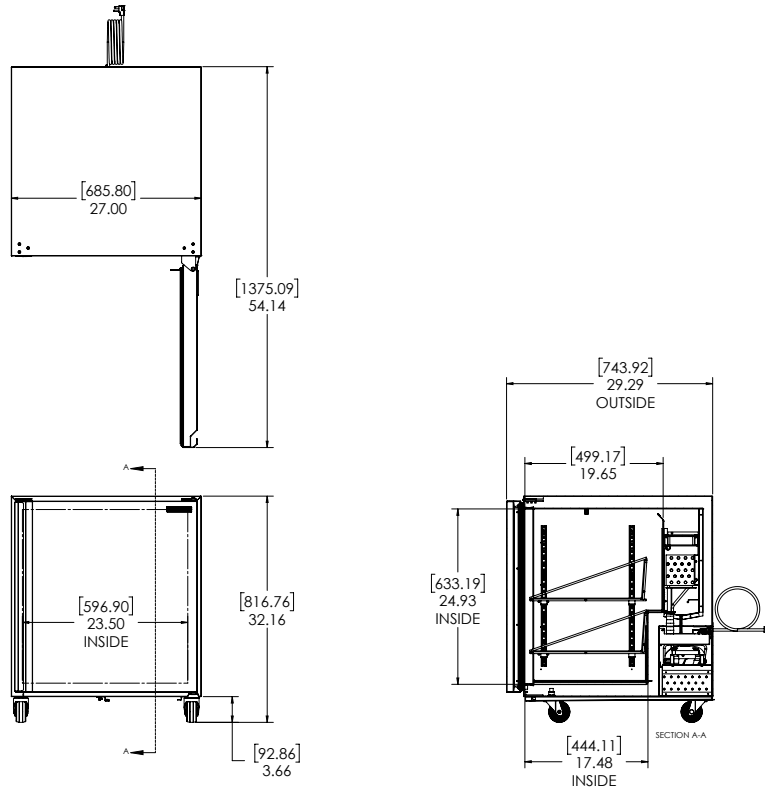
Internal area of 5.5ft³ with two (2) heavy-gauge wire shelves — adjustable in 1/2" increments using stainless steel pilasters

Heavy-Duty Soft Casters

Secured to a 12 gauge steel base to ensure years of worry-free operation

Stainless Steel Exterior

Galvanized back and bottom to reduce the risk of corrosion



Technical Specifications

| | |
|----------------------------------|---|
| Electrical Requirements | 115v/60hz/1ph/1.6A/NEMA 5-15P Plug |
| Product Dimensions | 27"W x 32.15"H x 29.32"D (68.58cm x 81.66cm x 74.47cm) |
| Product Weight | 145lbs (65.77kg) |
| Shipping Dimensions | 32"W x 40"H x 37"D (81.28cm x 101.60cm x 93.98cm) |
| Shipping Weight | 160lbs (72.57kg) |
| Shipping Cubic Dimensions | 27.41ft ³ (.78m ³) |
| Temperature Range | 36 to 38 (2.22 to 3.33°C) |
| Refrigerant | R290 |

| | |
|------------------------------|--|
| Insulation | Foamed-in-place, CFC-free polyurethane |
| Exterior Construction | Stainless steel exterior with galvanized back and bottom |
| Interior Construction | Aluminum interior with coved corners and finished edges |
| Doors | One (1) left-hand swing door |
| Interior Capacity | 5.5ft ³ |
| Door/Drawer Gasket | Santoprene™ gasket |
| Shelves | Two (2) heavy-gauge wire shelves |
| Casters | Four (4) 3" heavy-duty soft casters (two locking) |
| Certifications | ETL Safety, ETL Sanitation |
| Warranty | 1-year parts and labor, 5-year compressor (part only) |

| Model Number | Description |
|--------------|--|
| SKR27A-ESUS2 | Undercounter Refrigerator 27", 115v/60hz/1ph, single left-hand swing door, 3" heavy-duty casters (two locking), NEMA 5-15P |

To learn more about **Silver King Undercounter Refrigerator**, visit silverking.com