



STAINLESS STEEL
REGALINE SINKS
 One Compartment - One Drainboard
 (Specify Drainboard Location)



93 & 9 SERIES
 Adjustable Side
 Cross-Bracing



94 SERIES
 Adjustable Side &
 Front Cross-Bracing



Item #: _____ Qty #: _____
 Model #: _____
 Project #: _____



93 & 9 Series Adjustable
 Side Cross-Bracing



94 Series Adjustable
 Side & Front Cross-Bracing



Recessed Bowl Surface
 Accommodates Poly-Vance
 Cutting Boards & Sink Covers

YES! It's SeaLess!

FEATURES:

- Tile edge for ease of installation.
- One piece **Deep Drawn** sink bowls with integral drainboards with splash.
- Featuring the single bowl unit design.
- All sink bowls have a large liberal 3" radius.
- "94" Series is supplied with adjustable front and side cross braces featuring leg clamps.
- "93" & "9" Series is supplied with adjustable side cross braces featuring leg clamps.

CONSTRUCTION:

All TIG welded.
 Welded areas blended to match adjacent surfaces and to a satin finish.

MATERIALS:

- Spec-Line (94 Series):** 14 gauge type 304 stainless steel
11" High Splash.
- Standard (93 Series):** 16 gauge type 304 stainless steel
8" High Splash.
- Super Saver (9 Series):** 18 gauge type 304 stainless steel
8" High Splash.

- LEGS:**
- 1 5/8" diameter tubular stainless steel.
 - Stainless steel gussets.
 - Stainless Steel 1" adjustable bullet feet.

Bowl Size	O.A. Length	DRBD. Size	SPEC-LINE 94 Series		STANDARD 93 Series		SUPER SAVER 9 Series		Cu. Ft.
			Model #	WT.	Model #	WT.	Model #	WT.	
			14 Ga. 304 S/S 14" Water Level		16 Ga. 304 S/S 12" Water Level		18 Ga. 304 S/S 12" Water Level		
16" x 20"	41"	18"	94-1-24-18R or L	93 lbs.	93-1-24-18R or L	75 lbs.	9-1-24-18R or L	65 lbs.	20
	47"	24"	94-1-24-24R or L	98 lbs.	93-1-24-24R or L	80 lbs.	9-1-24-24R or L	73 lbs.	24
	59"	36"*	94-1-24-36R or L	114 lbs.	93-1-24-36R or L	90 lbs.	9-1-24-36R or L	78 lbs.	26
20" x 20"	45"	18"	94-21-20-18R or L	98 lbs.	93-21-20-18R or L	80 lbs.	9-21-20-18R or L	71 lbs.	20
	51"	24"	94-21-20-24R or L	104 lbs.	93-21-20-24R or L	86 lbs.	9-21-20-24R or L	77 lbs.	27
	63"	36"*	94-21-20-36R or L	127 lbs.	93-21-20-36R or L	107 lbs.	9-21-20-36R or L	91 lbs.	31
24" x 24"	55"	24"	94-41-24-24R or L	126 lbs.	93-41-24-24R or L	105 lbs.	9-41-24-24R or L	92 lbs.	28
	67"	36"*	94-41-24-36R or L	149 lbs.	93-41-24-36R or L	126 lbs.	9-41-24-36R or L	110 lbs.	42
20" x 28"	45"	18"	94-81-20-18R or L	139 lbs.	93-81-20-18R or L	116 lbs.	9-81-20-18R or L	107 lbs.	36
	51"	24"	94-81-20-24R or L	146 lbs.	93-81-20-24R or L	122 lbs.	9-81-20-24R or L	113 lbs.	46
	63"	36"*	94-81-20-36R or L	170 lbs.	93-81-20-36R or L	142 lbs.	9-81-20-36R or L	133 lbs.	54
* Regalines with 36" Drainboards are Supplied with Two Additional Legs for Support.			14" Water Level 18" Flood Level		12" Water Level 16" Flood Level		12" Water Level 16" Flood Level		

Weights & Cubes Are Approximate



Customer Service Available To Assist You **1-800-645-3166** 8:30 am - 7:00 pm E.S.T.

For Orders & Customer Service:
 Email: customer@advancetabco.com or Fax: 631-242-6900

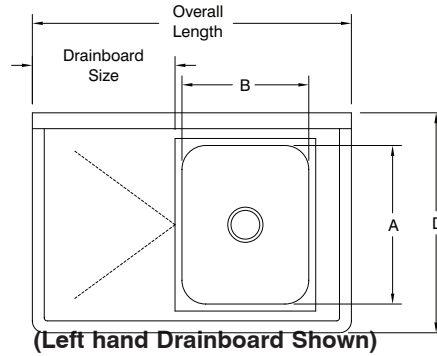
For Smart Fabrication™ Quotes:
 Email: smartfab@advancetabco.com or Fax: 631-586-2933

DIMENSIONS and SPECIFICATIONS

TOL Overall: ± .500"
Interior: ± .250"

ALL DIMENSIONS ARE TYPICAL

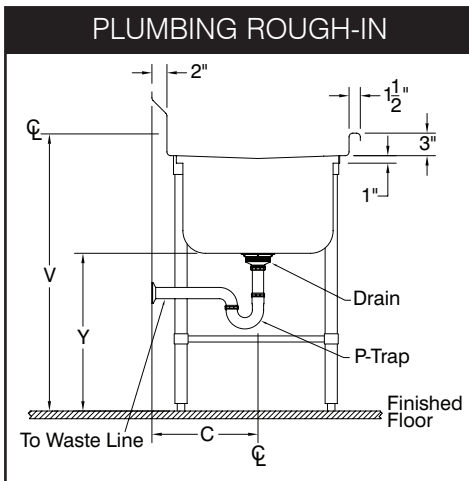
(SPECIFY DRAINBOARD LOCATION)



DESCRIPTION

								94 SERIES					9 & 93 SERIES				
BOWL SIZE	Overall Length	DRBD SIZE	Recommended Use	A	B	C	D	V	W	X	Y	Z	V	W	X	Y	Z
16"x20"	41"	18"	DISH SINKS	20"	16"	14 1/8"	28"	38"	11"	14"	19"	45"	38"	8"	12"	21"	42"
	47"	24"															
	59"	*36"															
20"x20"	45"	18"	DISH & POT SINKS	20"	20"	14 1/8"	28"	38"	11"	14"	19"	45"	38"	8"	12"	21"	42"
	51"	24"															
	63"	*36"															
24"x24"	55"	24"	POT SINKS	24"	24"	16 1/8"	32"	38"	11"	14"	19"	45"	38"	8"	12"	21"	42"
	67"	*36"															
20"x28"	45"	18"	PAN SINKS	28"	20"	16 1/8"	36"	38"	11"	14"	19"	45"	38"	8"	12"	21"	42"
	51"	24"															
	63"	*36"															

* Regalines with 36" Drainboards are Supplied with Two Additional Legs for Support.



MECHANICAL:

- Supply is 1/2" IPS hot & cold.
- Faucet holes on 8" centers.
- Faucets are not included (see accessories).
- Waste drains are 1 1/2" IPS S/S basket type, located in center of sink bowl, and are included.

