



27" Under Counter Refrigerator

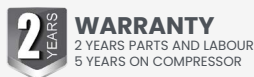
ITEM: 50054
MODEL: RE-CN-0006-HC



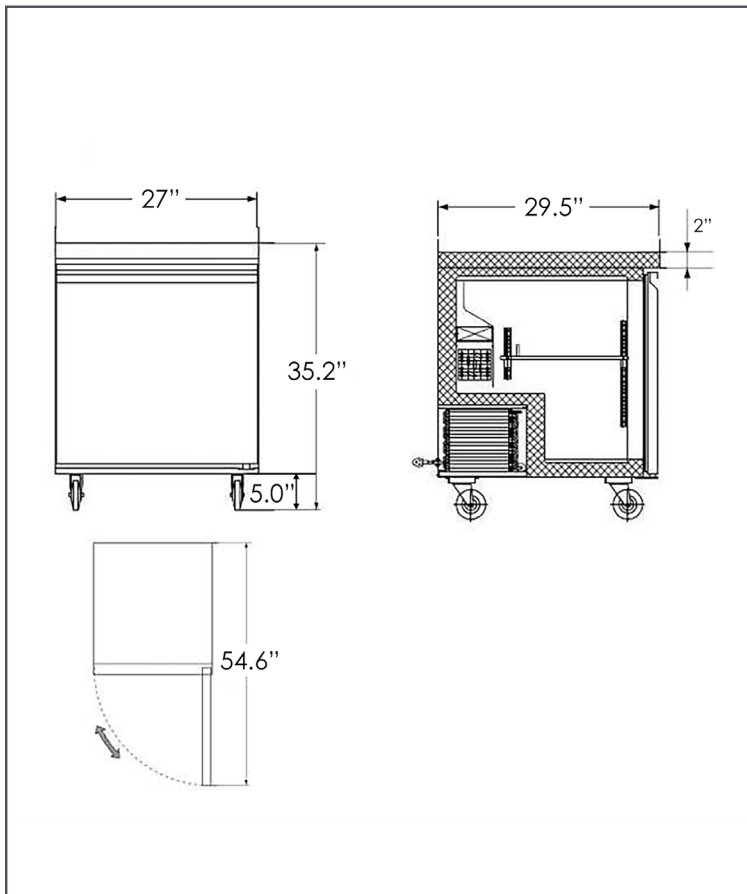
The perfect solution to add cold storage space to frozen products and ingredients conveniently within reach.

FEATURES:

- Stainless steel interior and exterior
- Refrigeration system keeps food at safe temperatures between 33°F and 41°F / 0.5°C to 5°C
- Self-closing doors with 90 degree stay-open feature
- Adjustable heavy-duty PVC coated shelves
- Digital control system makes it easy to adjust temperature set point and defrost frequency
- This unit uses HYDRO-CARBON R290 refrigerant, which is environmentally friendly and more efficient



TECHNICAL DRAWING



TECHNICAL SPECIFICATION

Item	50054
Model	RE-CN-0006-HC
Description	27-inch Under Counter Refrigeration
Temperature Range	33°F - 41°F (0.5°C - 5°C)
Power	1/6 HP
Amps	1.9
Electrical	115V / 60Hz / 1Ph
Refrigerant	R290
Isolation Material	Cyclopentane
Cooling System	Ventilated
Defrosting	Automatic
Type Of Controller	Digital
Self-Closing Door	Yes
Number Of Doors	1
Number Of Shelves	1
Shelf Material	Coated steel
Shelf Loading (kg/pc)	20 kg. (44 lbs.)
Interior Dimensions (WDH)	22.2" x 22.8" x 23.5" (565 x 580 x 597 mm)
Net Dimensions (WDH)	27" x 29.5" x 35.2" (685 x 750 x 895 mm)
Gross Dimensions (WDH)	30 3/8" x 32 5/8" x 38 5/8" (770 x 830 x 980 mm)
Net Volume (cu.ft.)	6.3 cu. ft. (177 L)
Net Weight	77 kg. (169 lbs.)
Gross Weight	100 kg. (220 lbs.)

*Dimensions rounded up to the nearest inch or millimeter.
Specifications subject to change without notice.*