

## Installation accessories

### Stacking kit for 6 GN 1/1 oven placed on gas 10 GN 1/1

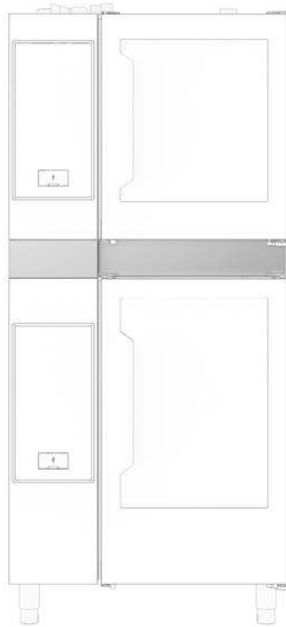
ITEM # \_\_\_\_\_

MODEL # \_\_\_\_\_

NAME # \_\_\_\_\_

SIS # \_\_\_\_\_

AIA # \_\_\_\_\_

**922623 (STK6111011)**Stacking kit for gas 6 GN 1/1  
oven placed on gas 10 GN  
1/1 oven

### Main Features

- Ideal for saving kitchen space.
- Includes: supports, external panels, flue and water pipes, drain connection, cooling fan and adjustable feet.
- The kit can be mounted on site.
- In case of stacking a combi oven with an air-o-convect, the air-o-convect must be mounted on top.
- The kit typology (gas, electric) must be ordered considering the oven that will be stacked on top.

### Key Information:

**External dimensions,****Width:****922623 (STK6111011)** 1050 mm**External dimensions,****Height:**

440 mm

**External dimensions,****Depth:**

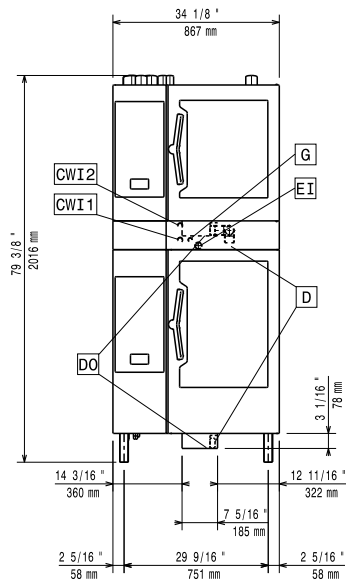
900 mm

**Net weight:**

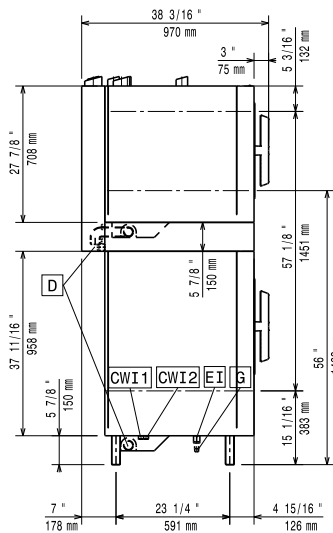
47.6 kg

APPROVAL: \_\_\_\_\_

Front



Side



Top

