



PROJECT \_\_\_\_\_

ITEM NO: \_\_\_\_\_

QUANTITY: \_\_\_\_\_

## 2 Compartment Bar Sinks

### FEATURES & CONSTRUCTION:

- Top is fabricated with 1" flat front edge with 2"x4" high flat top backsplash with one set of 4" center faucet holes.
- Bowl drains offset to corner to allow for easy use of brush type glasswasher.
- All exposed welded areas smooth polished to brush finish sanitary #4.
- Welded Stainless Steel leg socket with two point leg fastening.
- Adjustable galvanized steel cross-bars with aluminum die cast fittings to secure cross-bars to legs for added stability.
- All units shipped K.D., but easily assembled.

### MATERIAL:

- Top & Bowls: 20 Ga. stainless steel - 304  
 Apron: 20 Ga. stainless steel - 304  
 Leg: 1-5/8" galvanized steel  
 Cross-bar: 1-1/4" galvanized steel  
 Bullet Feet: 1" adjustable plastic bullet feet

### INCLUDED ACCESSORIES:

One 4" center splash mount 12" swing spout faucet (Tap item # TWMF-412) with a two-year warranty, (2) 1-1/2" basket drains, and overflow tube kit.



NSF STD.2  
Certified



SMBS-2



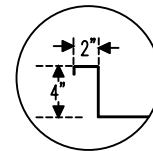
SMBS-2L



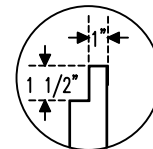
SMBS-2R



SMBS-2D



2"x4" high  
Backsplash



Square Edge  
Front



Aluminum Die  
Cast Fitting For  
Adj. Cross-Bar



1-1/2" Basket  
Drain



1" Adjustable  
Plastic Bullet  
Feet

MODEL#	UNIT SIZE			BOWL SIZE			DRAINBOARD	
	L	D	H	A	B	C	LEFT	RIGHT
SMBS-2	26"	18 3/4"	32"	10"	14"	10"	0	0
SMBS-2L	36"						12	0
SMBS-2R	36"						0	12
SMBS-2D	48"						13	13



Rev. 12/20

SAPPHIRE MANUFACTURING  
 Tel: 718-543-2111  
 Fax: 718-543-2121

info@sapphiremanufacturing.com  
 WWW.SAPPHIREMANUFACTURING.COM



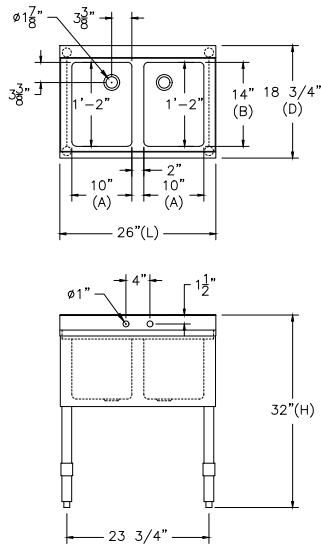
PROJECT

ITEM NO:

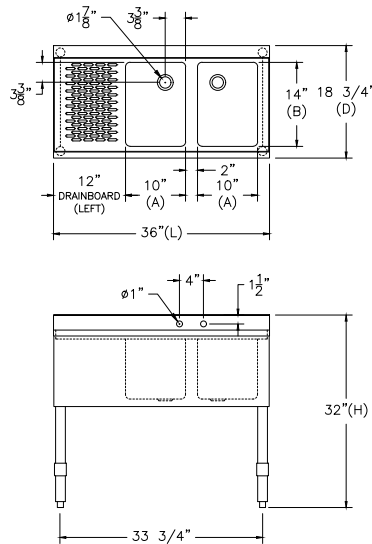
QUANTITY:

## 2 Compartment Bar Sinks

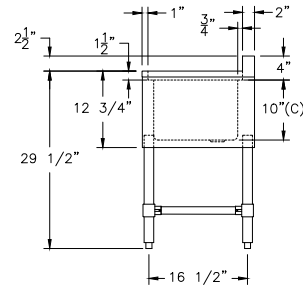
### NO DRAIN BOARD SMBS-2



### DRAIN BOARD: LEFT SMBS-2L

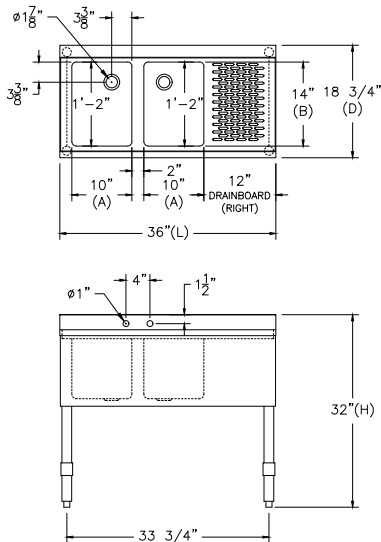


NSF STD.2  
Certified

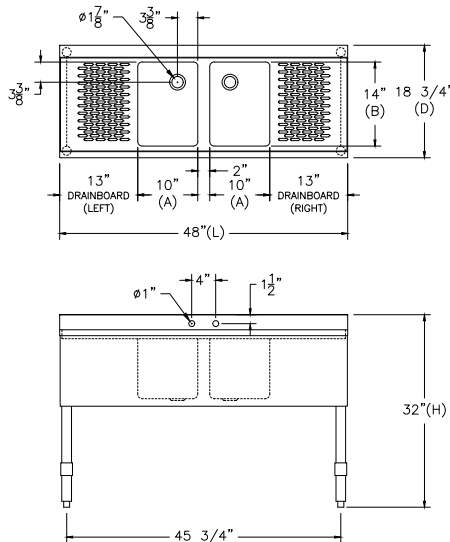


Common End View

### DRAIN BOARD: RIGHT SMBS-2R



### DRAIN BOARD: L & R SMBS-2D



Specifications subject to change without notice.

All dimensions are typical (Tolerance 1/2").



Rev. 12/20

SAPPHIRE MANUFACTURING  
Tel: 718-543-2111  
Fax: 718-543-2121

info@sapphiremanufacturing.com  
WWW.SAPPHIREMANUFACTURING.COM