



Model: **KR-DRF** Item #: \_\_\_\_\_ Date: \_\_\_\_\_

Project: \_\_\_\_\_ Qty: \_\_\_\_\_ Approved By: \_\_\_\_\_

# Undermount Glass Rinser Faucet

Royal Series Underbar



Includes 10' drain tube, in-line pressure regulator, two elbows and mounting hardware

## Standard Features

- High quality valve
- All stainless steel construction
- Built-in 1/2" drain with 1-1/2" tailpiece
- 9"L (4" undermount, 5" glass rinser section)
- Includes 10' drain tube, in-line pressure regulator, two elbows and mounting hardware

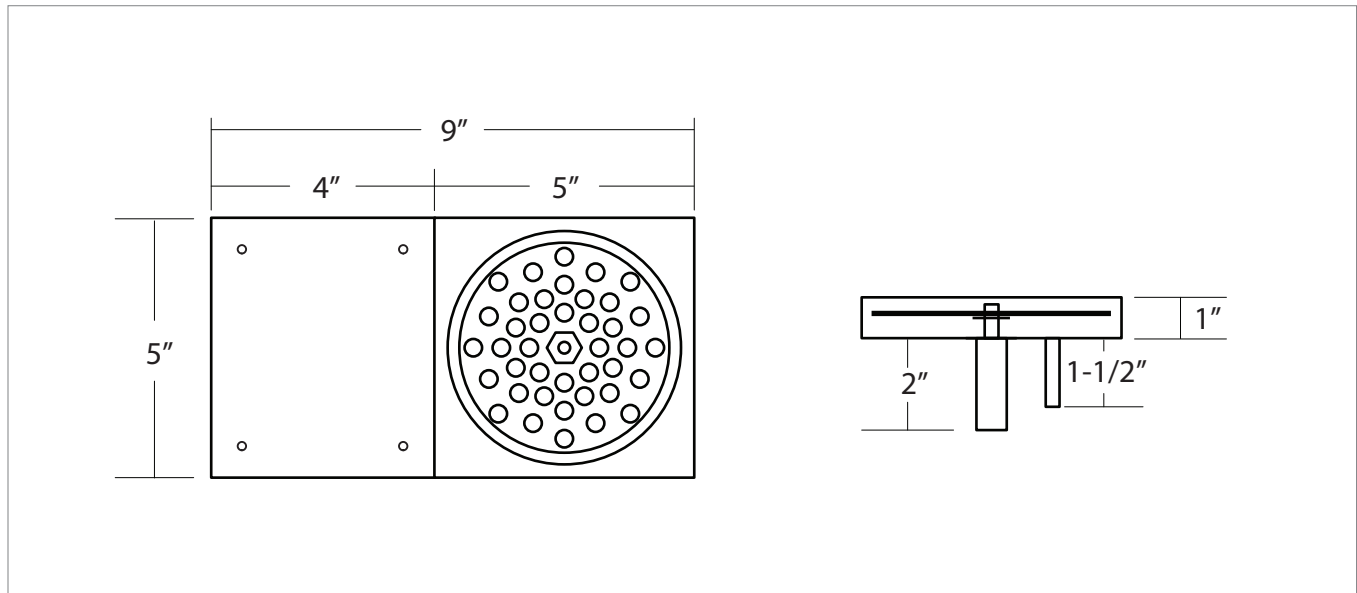
## Specifications

<b>Water Inlet</b>	3/8" cold water
<b>Drain</b>	1/2" drain with 1-1/2" tailpiece
<b>Material</b>	All stainless steel
<b>Weight</b>	9 lbs.

Model	Description
KR-DRF	Royal Series Undermount Glass Rinser Faucet

## Product Compliance

- NSF-2



**WARNING:**  
Plumbing connections should be made by qualified personnel who will observe all applicable plumbing, sanitary and safety codes.

**California Prop 65 Warning:**  
This product can expose you to chemicals including lead and lead compounds, which are known to the State of California to cause cancer and birth defects or other reproductive harm. For more information go to [www.P65Warnings.ca.gov](http://www.P65Warnings.ca.gov).