

# PASTA COOKER | GAS

Ann  
AnnA



**ARCOBALENO®**  
PASTA EQUIPMENT

## AGDH35/HA35

TWO-TANK HIGH BTU PASTA COOKER



Intertek  
CONFORMS TO UL STD 197, NSF/ANSI STANDARD 4  
CERTIFIED TO CSA STD C22.2 #109



Intertek



### STANDARD FEATURES

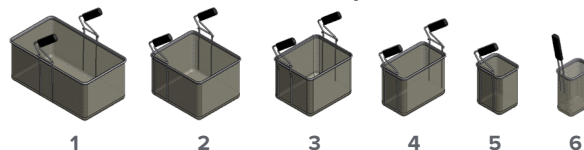
- Versatile pasta cooker; cook fresh, dry & frozen pastas plus... noodles, vegetables and more
- Automatic water fill (AGDHA35)
- Automatically maintains water level - steam or boil (AGDHA35)
- Water safety sensor - will not run tank dry (no more burnt tanks)
- Powerful double tank pasta cooker with 160,370 BTU total (80,185 BTU per tank)
- Fast Recovery, high efficiency, and powerful for frozen products
- 11 + 11 gallon tank
- 316 stainless steel cooking tank - corrosion resistant, marine grade
- Rounded corners, rear backsplash, and stainless steel construction - sanitary finish
- Innovative safety features
- Large diameter starch skimmer drain
- Overflow safety drain and floor drain
- Variable burner temperature
- Independent tank operations - gas, water, and drain
- Equipped with gas regulator, Piezoelectric ignition, pilot light and thermocouple safety valves
- Height adjustable legs - counter height 35" to 37"
- Equipped for Natural Gas installation
- Liquid Propane (LP) is available upon request at time of order
- Factory and on-location training. The Only Full-Service Pasta Machine Manufacturer in North America!



**AGDH35**  
"Ann"

**AGDHA35**  
"AnnA"  
Automatic water fill

#### Pasta Basket Options




#### Pasta Basket Combinations



Basket #	1	2	3	4	5	6
Capacity* (lbs)	14-15 lbs	8-9 lbs	6-7 lbs	3-4 lbs	1-2 lbs	0.75-1 lb
Capacity* (oz)	224-240 oz	128-144 oz	96-112 oz	48-64 oz	16-32 oz	12-16 oz
Capacity* (g)	6,350-6,804 g	3,629-4,082 g	2,722-3,175 g	1,361-1,814 g	454-907 g	340-454 g

\*For short pastas, capacity varies by shape

### OPTIONAL FEATURES & ACCESSORIES

- Variety of pasta basket options - pasta baskets sold separately
- Robotic basket lift with adjustable digital timers (APCL35)
- 1 single point electric plug available with APCL35 Lift option
- Casters, user responsible for installation, set of 4 with 2 locking
- Casters, factory installed, set of 4 with 2 locking
- Custom door and panel colors 

Please refer to [www.ralcolor.com](http://www.ralcolor.com) for custom color choices.

#### WARRANTY

**One Year:** For more information visit [arcobalenollc.com/warranty.html](http://arcobalenollc.com/warranty.html)



#### TRY BEFORE YOU BUY

In an effort to ensure success, we maintain a test kitchen where you can have your very own recipe tested for quality! Call for details.



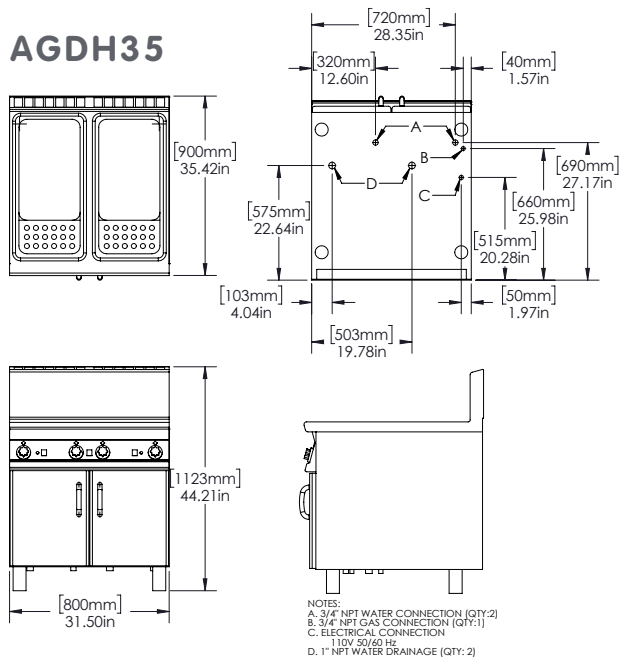
# PASTA COOKER | GAS



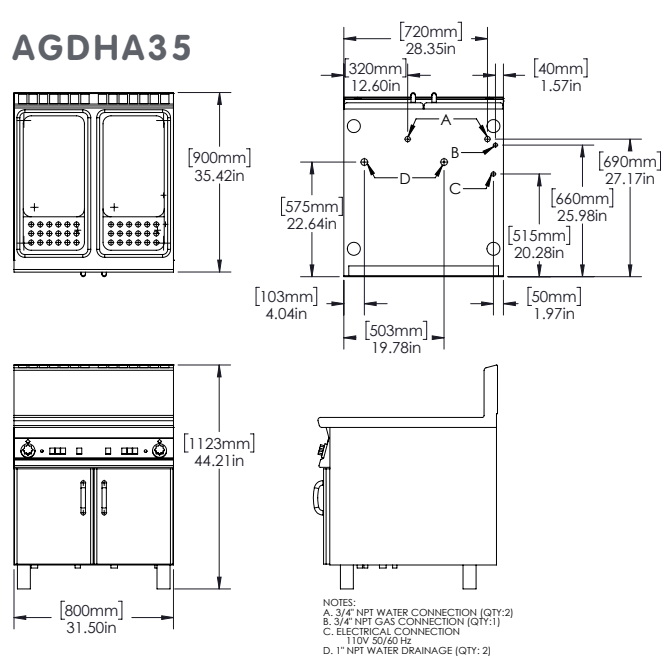
## AGDH35/HA35 TECHNICAL SPECIFICATIONS

<b>Model</b>	AGDH35	AGDHA35
<b>Tank(s)</b>	2	2
<b>Tank Volume</b>	11 + 11 gallon	11 + 11 gallon
<b>Tank Dimensions</b>	(2x) 12.25"W x 20"D x 12.5"H	(2x) 12.25"W x 20"D x 12.5"H
<b>Natural Gas/LP Connection</b>	3/4" NPTM (Qty: 1)	3/4" NPTM (Qty: 1)
<b>Natural Gas/LP Pressure</b>	7" WC max NG / 11" WC max LP	7" WC max NG / 11" WC max LP
<b>Total Gas Power</b>	160,370 BTU (80,185 BTU per tank)	160,370 BTU (80,185 BTU per tank)
<b>Total Electric Power</b>	120V/1/60Hz 0.029kW (0.47 Amps @ 120V)	120V/1/60Hz 0.035kW (0.57 Amps @ 120V)
<b>Nema Plug</b>	5-15P	5-15P
<b>Water Connection</b>	3/4" NPTM (Qty: 2)	3/4" NPTM (Qty: 2)
<b>Water Pressure</b>	14.5 - 72.5 psi	14.5 - 72.5 psi
<b>Water Draining</b>	1" NPTM (Qty: 2)	1" NPTM (Qty: 2)
<b>Machine Dimensions</b>	31.5"W x 35.5"D x 45"H	31.5"W x 35.5"D x 45"H
<b>Shipping Dimensions</b>	33"W x 38"D x 50"H	33"W x 38"D x 50"H
<b>Machine Weight</b>	305 lbs	305 lbs
<b>Shipping Weight</b>	353 lbs	353 lbs
<b>Shipping Class</b>	92.5	92.5

### AGDH35



### AGDHA35



CAD file available on KCL or contact factory 717-394-1402. | Specifications subject to change without notice | © Copyright 2024 Arcobaleno® Pasta Machines, LLC