

AMERICANO - NITRO COLD BREW COFFEE

PORTABLE DISPENSER 17-1/2"

- Small kegerator footprint.
- Holds 2 - 1/6th kegs.
- Integrated Nitrogen Infusion Module (NIM), requires separate nitrogen source.
- Commercial grade construction - built to last.



MDD17-E-AMER
Black



*Shown with
1/6th keg barrel, MININIM and
tapping equipment*



Listed by Edison Testing Laboratories.
Conforms to UL & NSF Standards.

www.micromatic.com • 1 (866) 327-4159

PORTABLE DISPENSER 17-1/2"

Job Number: _____ Location: _____

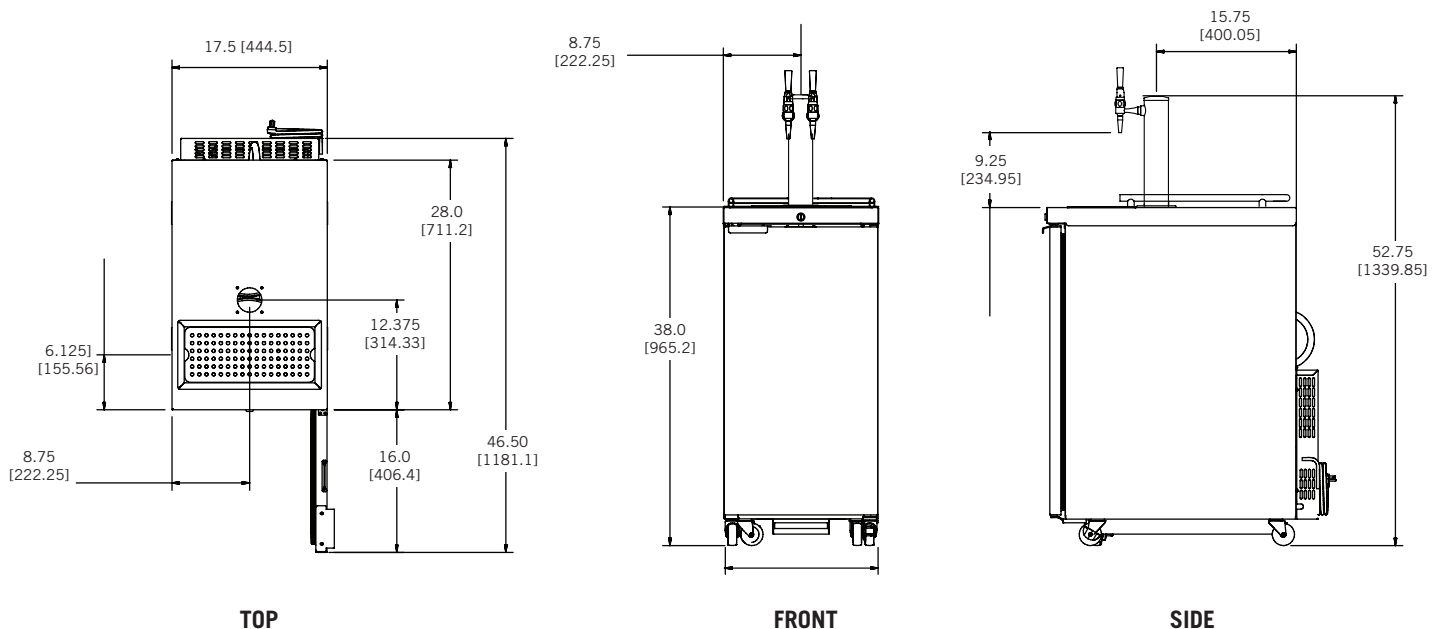
Part No.	Description	Beverage Package	Finish	Shipping Weight
<input type="checkbox"/> MDD17-E-AMER	17.5" Americano, portable dispenser	Keg, Corny Keg, Beverage Tank™	Black	138 lbs 63 kg

Operating Performance

Capacity of 1/6th Kegs	2	Running Amps	1.5
Cubic Feet (liters)	TBD	Voltage	115/60/1
Draft Tower	1	Plug Type	NEMA-5-15P
Faucet	2	Cord Length	8'
Approval	NSF 7.0 and NSF 18	Refrigerant	R290
Compressor HP	1/10	Charge oz	2.8
BTUs	850	Thermostat	Digital

Exterior	18 gauge stainless steel top, 22 gauge solid doors, 24 gauge steel front, sides and back. Black Vinyl: Front, sides.
Interior	20 gauge stainless steel floor, reinforced frame, 24 gauge galvanized walls
Ventilation	Back ventilated
Plumbing	Drain Tray: 3/4" NPT drain includes hose and drain bottle. Automatic condensate evaporator, no drain connection required. Evaporator condensate has been plumbed to a condensate pan located in the compressor housing.
Insulation	Foamed-in-place using high density, CFC-free polyurethane; 2" top, walls and floor.
Casters	Standard

Dimensions



Toll-Free: 1-866-327-4159
www.micromatic.com

West

19791 Bahama St.
 Northridge, CA 91324
 Tel. (818) 701-9765
 Fax. (818) 701-9844

Central

10726 North Second St.
 Machesney Park, IL 61115
 Tel. (815) 968-7557
 Fax. (815) 968-0363

Southeast

2386 Simon Ct.
 Brooksville, FL 34604
 Tel. (352) 799-6331
 Fax. (352) 796-2429

Northeast

4601 Saucon Creek Rd.
 Center Valley, PA 18034
 Tel. (610) 625-4464
 Fax. (610) 625-4466