

## Refrigeration Equipment Slide Top Mug/Glass Froster 36" Long

ITEM # \_\_\_\_\_

MODEL # \_\_\_\_\_

NAME # \_\_\_\_\_

SIS # \_\_\_\_\_

AIA # \_\_\_\_\_



**738328 (KCHGF36)**

Slide Top Mug/Glass Froster  
36" Long

### Short Form Specification

**Item No.** \_\_\_\_\_

36" wide glass/mug/plate froster with slide top. Exterior back and side panels in painted steel, exterior bottom panel in galvanized steel, top panel in 304 stainless steel; interior back and side panels in painted aluminum, interior bottom panel and worktop in 304 stainless steel. Fin & tube condenser to improve the performances in high temperature environments. Automatic Defrost Cooling System and electronic temperature control. Vinyl-coated steel adjustable dividers and locking lids.

R600a gas in refrigeration circuit.  
ETL Safety and Sanitation certified.  
3/5 Years warranty

### Main Features

- ADA Height Compliant
- External temperature display.
- Fin & Tube Condenser improves performance in high temperature environments.
- Automatic Defrost Cooling System provides worry-free performance.
- Electronic Temperature Control, quick and simple to set, with control display for easy monitoring.
- Cabinet completely insulated with high density polyurethane for low environmental impact.
- Vinyl-coated steel adjustable dividers to customize storage effortlessly

### Construction

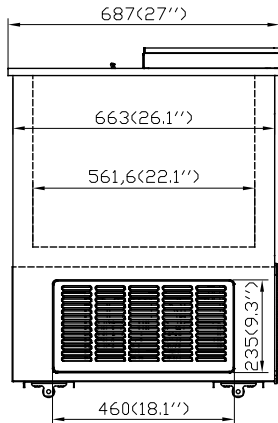
- Pre-wired heavy duty power cord.
- Electronic control to select temperatures.

### Sustainability

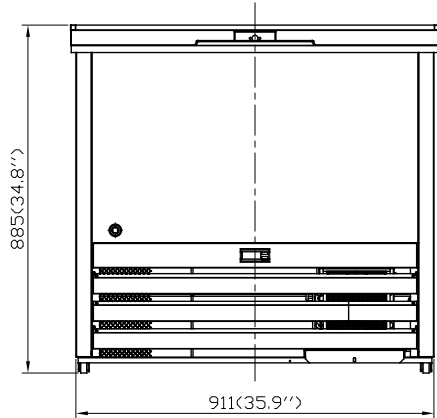
- CFC and HCFC free (ecological refrigerant type: R600a).
- High efficiency components to minimize the energy consumption still guaranteeing the highest performances.

**APPROVAL:** \_\_\_\_\_

**Front**

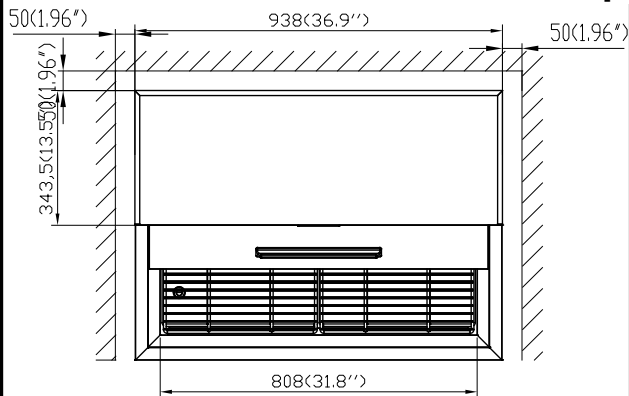


**Side**



EI = Electrical connection

**Top**



## Electric

<b>Supply voltage:</b>	115 V/1 ph/60 Hz
<b>738328 (KCHGF36)</b>	
<b>Electrical power, max:</b>	0.156 kW
<b>Plug type:</b>	NEMA 5-15

## Key Information:

<b>Capacity:</b>	5.21599 cu.ft.
<b>External dimensions, Width:</b>	36 15/16" (938 mm)
<b>External dimensions, Depth:</b>	27 1/16" (687 mm)
<b>External dimensions, Height:</b>	34 13/16" (885 mm)
<b>Number and type of doors:</b>	1 Full
<b>Internal Dimensions (depth):</b>	14 3/4" / (375 mm)
<b>Internal Dimensions (height):</b>	13 3/4" / (350 mm)
<b>Internal Dimensions (width):</b>	29 11/16" / (754 mm)
<b>Shipping height:</b>	39 3/8" (1000 mm)
<b>Shipping weight:</b>	187 lbs (85 kg)
<b>Shipping volume:</b>	25.35 ft <sup>3</sup> (0.72 m <sup>3</sup> )
<b>Type of external material:</b>	Black Prepainted Steel
<b>Type of internal material:</b>	White Prepainted Aluminium
<b>Warranty:</b>	3 / 5 years
<b>Approvals</b>	ETL C&US;ETL SANITATION

## Refrigeration Data

<b>Compressor power:</b>	1/5 hp
<b>Operating temperature min.:</b>	-5.01 °F
<b>Operating temperature max.:</b>	-2 °F
<b>Condenser type:</b>	Fin & tube
<b>Defrost type:</b>	Automatic

## Sustainability

<b>Current consumption:</b>	1.5 Amps
<b>Refrigerant type:</b>	R600a
<b>GWP Index:</b>	3
<b>Refrigerant weight:</b>	100 g



Refrigeration Equipment  
Slide Top Mug/Glass Froster 36" Long

The company reserves the right to make modifications to the products without prior notice. All information correct at time of printing.