

*Blueair by*  
**BLUENIX**

# MODEL BLUR48-D4-HC UNDERCOUNTER REFRIGERATOR



### Stainless steel cabinet construction

Stainless steel interior and exterior (galvanized steel back & bottom).



### Temperature range between 33°F ~ 39°F

Air guard on rear wall ensures proper air circulation and cooling.



### Hydrocarbon refrigerants (R-290)

Increases energy HFC refrigerants. It is safer for the environment and does not cause ozone depletion.



### Visual and audible door open alarm

Alarm sounds when doors are not completely closed to protect against food spoilage

**5 YEAR WARRANTY**

PARTS & LABOR

**7 YEAR WARRANTY**

COMPRESSORS

### Exterior Dimensions (inches/mm)

L	D	H
48 7/16"	30"	30 29/32"
1231 mm	762 mm	785 mm

### Weight (lbs/kg)

Net Weight	Ship Weight
238 lbs	291 lbs
108 kg	132 kg

\* Depth does not include 3" for door handle & rear spacers  
\* Height does not include 5" (127 mm) for casters

## Cabinet construction

- Cyclopentane Insulation – Contains no hydro-fluorocarbons (HFCs) and is environmentally friendly.
- Four 4" Diameter swivel casters with front brakes standard.

## Refrigeration

- Self-contained system, rear mounted compressor.
- Electrodeposition coated evaporator increases performance by maintaining the heat transfer rate over the life of the evaporator and reducing potential corrosion.
- Innovative hot gas frame heating system reduces condensation and increases energy.

## Design & Features

- Self-diagnostic digital temperature control & monitor system.
- Digital display allows for easy monitoring.
- Digital controls include manual defrost for easy maintenance.
- Rounded corner design gives a stylish appearance and reduces chances of injury.

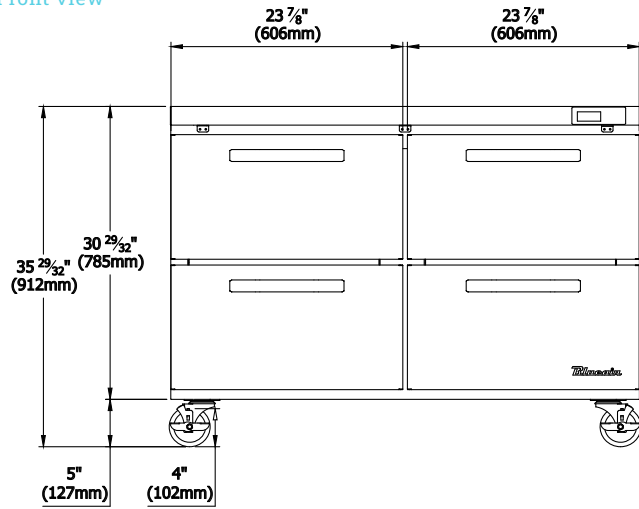
## Doors

- Self-closing doors
- Durable door gasket with easy replacement.
- Lifetime guaranteed heavy duty all metal door handles. (Ni-Cr Plated)

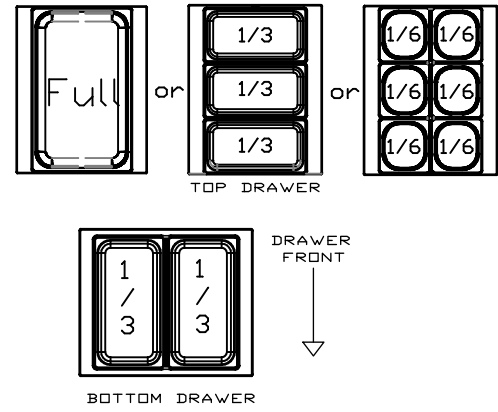
## Optional Features & Accessories

- 2.5" diameter casters available.
- Back splash guard and drawer models available

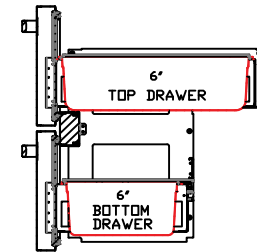
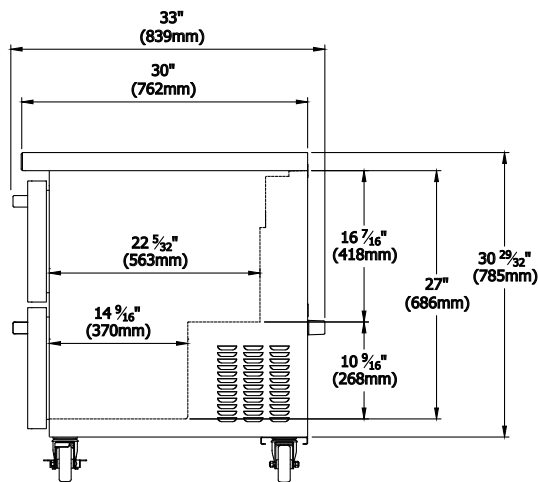
Front view



Pan Configuration

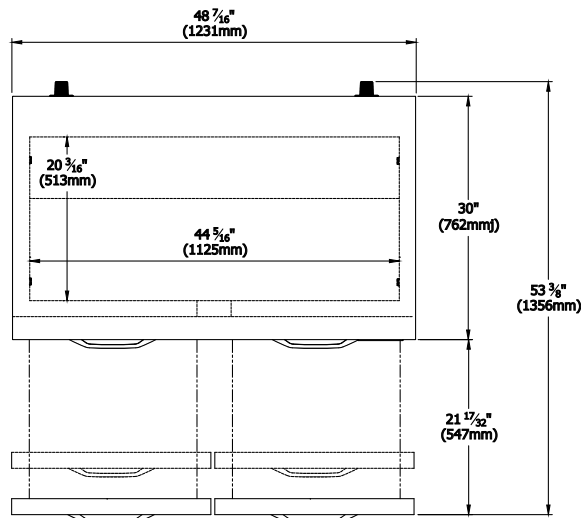


Side view



Drawers accommodate 6 inch pans

Top view



Drawers	4
Capacity Cu.Ft.	13.1
Shelves	N/A
Refrigerant	R-290
Temperature Range	33°F ~ 39°F
Easy Maintenance	Sliding Condensing Unit
Connection	9.8 ft long (3m) flexible three wire cord with modeled plug
HP	1/4 HP
Voltage	115V/60Hz
Amps	5
NEMA Config.	NEMA 5-15



- This product may expose you to chemicals including Diisononyl Phthalate(DINP), which is known to the State of California to cause cancer. For more information go to [www.P65Warnings.ca.gov](http://www.P65Warnings.ca.gov).  
 - Ce produit peut vous exposer à des agents chimiques incluant le Diisononyl Phthalate(DINP), reconnu par l'Etat de Californie comme causant le cancer. Pour de plus amples renseignements, consulter le site [www.P65Warnings.ca.gov](http://www.P65Warnings.ca.gov).



Conforms to NSF/ANSI 7(ETL)  
 Blue Air has right to change specifications without further notice.



223 W. Rosecrans Ave., CA 90248  
 T: 310-808-0102

9 W. Shelton Terrace #A, Hillside, NJ 07205  
 T: 470-625-0182

7025 Amwiler industrial Drive, Suite A, Atlanta GA  
 T: 908-688-0970