

LBC Kitchen Series Electric Rotisserie

Models LCR5 & LCR7



Product Capacities:	LCR5	LCR7
Angle Spits (sold separately)	5	7
Fork Spits (sold separately)	5	7
Baskets (sold separately)	5	7
Chicken Capacity / Oven	15 - 20	28 - 35

Short Bid Specification:

Rotisserie shall be an **LBC model LCR__** (insert 5 or 7) electrically heated oven with a digital control capable of storing up to 20 recipes. Control shall have 6 quick set buttons for most popular recipes and large LED displays for Recipe Number, Set Point, Temperature and Time. Control shall also have a 3-step cooking capability with steps for Sear, Roast and Warm/Hold. A momentary jog pushbutton shall be located for elbow-actuation to manually rotate and stop the carousel. Double-pane loading door shall have tempered full view glass with a hinged inner pane for easy cleaning. Complete rotisserie shall also include all features listed and options checked.

Standard Product Warranty:

1 Year Parts and Labor (Contiguous US, Alaska, Hawaii & Canada)

Construction Features:

- Stainless steel interior and exterior
- Full view double pane loading door with low-E reflective coating on door windows and Hinged inner pane for easy cleaning
- Bright interior lighting
- Conveniently located jog button to safely rotate the carousel for loading and unloading cooked product
- Removable stainless steel drip pan with drain valve

Performance Features:

- Capacity: (see table at left)
- Fast acting heater elements
- Top mounted fans to thoroughly circulate convection air
- Even browning on all sides of cooked product

Control Features:

- Temperature Range: 145 - 480 deg F
- Large displays for Recipe Number, Set Point, Temperature and Time
- 3-step cooking capability with storage capacity for 20 recipes
- Buzzer alerts when oven has reached temp and when cook is complete
- Temperature displays in deg F or deg C
- 99 hour 59 minute timer

Options and Accessories:

- Optional Voltages:
 - LCR5: 208V single-phase (standard) or 240V single-phase
 - LCR7: 208V 3-phase (standard) or single-phase or 240V 3-phase or single-phase
- Optional angle spits, fork spits and baskets in stainless steel
- Optional 6" floor legs, low-profile swivel casters, or a stand (LCR5 = LST5 Stand; LCR7 = LST7 Stand)
 - Note: 4" countertop legs come standard
- Optional loading doors front and back
- Accessory: LRC7 Rethermalizer (for LCR7 only)
- Accessory: Chain restraint kit



Meets UL 197 and NSF 4 Standards

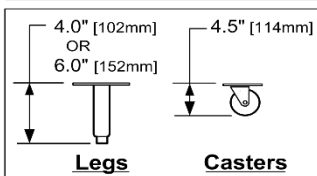
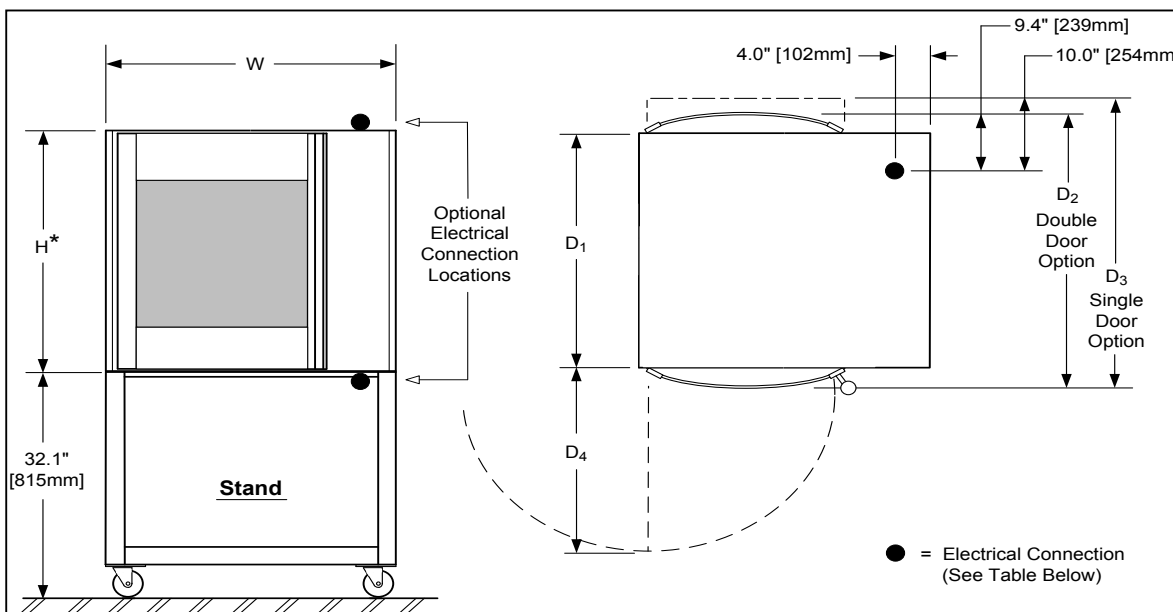
Sheet Number LCR5-LCR7 (Rev P - 3/19)

Installation Notes:

- Each unit ships separately. Stacking may be required.
- Installation, startup and training are not included

Options & Accessories (check as required):

- | | |
|--|--|
| <input type="checkbox"/> Front & Rear Doors | <input type="checkbox"/> Stainless Angle Spits |
| <input type="checkbox"/> 6" Legs | <input type="checkbox"/> Stainless Fork Spits |
| <input type="checkbox"/> Swivel Casters | <input type="checkbox"/> Stainless Baskets |
| <input type="checkbox"/> LST5 Stand (for LCR5) | <input type="checkbox"/> LRC7 Rethermalizer (for LCR7) |
| <input type="checkbox"/> LST7 Stand (for LCR7) | <input type="checkbox"/> Chain Restraint Kit |



* Appliance height does not include legs, casters or stand. Add 4.0" for countertop legs, 6.0" for floor legs or 4.5" for casters. Add 32.1" for stand with casters.

Model	H*	W	D ₁	D ₂	D ₃	D ₄	Actual Weight	Shipping Weight	Freight Class
LCR5	32.5"	31.5"	21.7"	26.3"	27.1"	24.3"	320 lbs	450 lbs	85
LCR7	38.4"	38.9"	26.5"	32.6"	32.6"	31.6"	460 lbs	610 lbs	85

Model	Voltage	kW	Min Circuit Ampacity		Max Breaker Size	
			1 Phase	3 Phase	1 Phase	3 Phase
LCR5	208 VAC	4.0	40	N/A	60	N/A
	240 VAC	4.0	35	N/A	60	N/A
	208 VAC	8.0	55	N/A	60	N/A
LCR7	240 VAC	8.0	50	N/A	60	N/A
	208 VAC	9.0	N/A	40	N/A	60
	240 VAC	9.0	N/A	35	N/A	60