

# ASTRA QUICK SHIP

## WALK-IN COOLERS AND FREEZERS

- ✓ Walk-In Coolers, Freezers and Combos in stock
- ✓ Standard or Custom sizes ship within 48 hours
- ✓ Modular design with all cam-lock panels
- ✓ Wide range of sizes from 5' to 40'
- ✓ Top-Mount or Remote Refrigeration
- ✓ NSF, UL, DOE, ASTM Test 518, ASTM Test E84, UL723 Flame Spread and Smoke Development Compliant



### STANDARD FEATURES

#### PANELS



PU Panels

- 4" Thick Foamed-In-Place Polyurethane Insulation
- Cam-Lock Panels, Tongue & Groove Design
- 24 Gauge Pre-Painted White Galvanized Steel
- R28 for Coolers and R33 for Freezers
- CFC and HFC Free Materials
- 10 year panel warranty

#### DOORS



30" or 36" wide doors

- 30" or 36" wide doors (left or right hinged)
- Self-Closing, Flush-Mounted Doors
- Keyed Locking Door Handle
- 120V/1P/1A Heating Wire and Pressure Relief Vent on Freezers



Keyed Locking Door Handle



Door Closer



Door Hinge



Vapor Proof Light

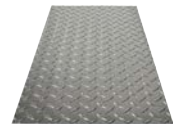
### ADDITIONAL OPTIONS



4 FT LED Light



Exterior Ramp



Aluminum Diamond Plate



Kick Plate

### TOP-MOUNT REFRIGERATION (PACKAGE UNIT)

- Self-Contained Package (Includes Condensing Unit and Evaporator)
- Cooler and Freezer available
- Indoor or Outdoor
- 208V/1P or 3P, Hard Wire, R448A
- 2 Year Compressor and Parts Warranty
- 1 Year Labor Warranty
- NSF and UL Listed, EPA Registered
- No need for Refrigeration Technician



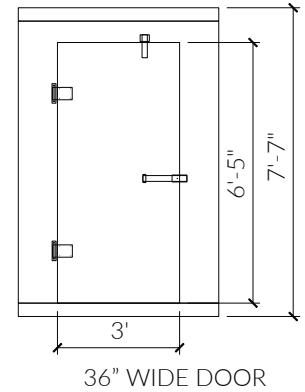
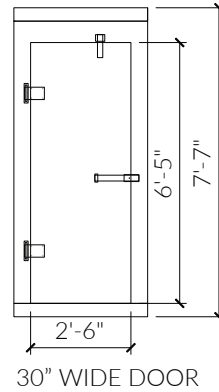
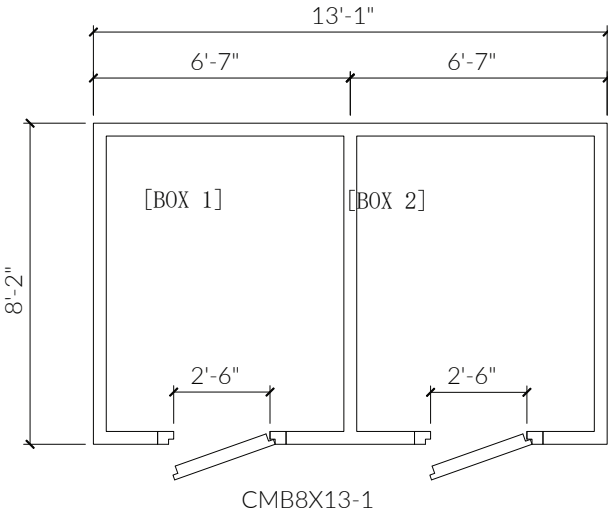
### REMOTE REFRIGERATION

- Includes Condensing Unit and Evaporator
- Cooler and Freezer available
- 208V/1P or 3P, Hard Wire
- 1 Year Compressor and Parts Warranty
- Pre-mounted Expansion Valve and Solenoid Valve
- Indoor or Outdoor
- Requires a Refrigeration Technician to run pipes and make connections



### SPEC SHEET

## CMB8X13 COMBO WALK-IN BOX (8'-2" x 13'-1" x 7'-7" H)

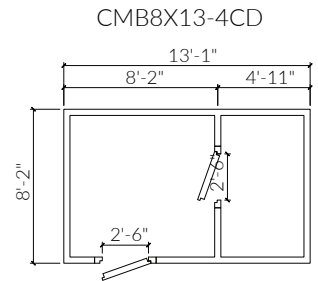
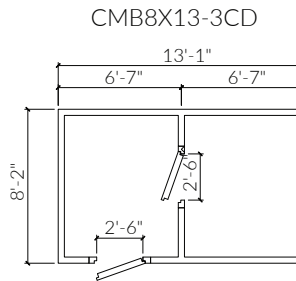
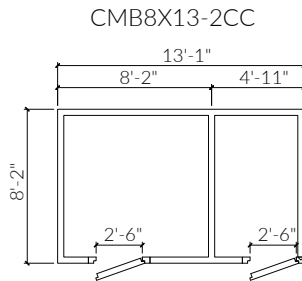
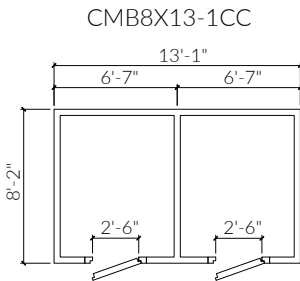


- Each box can be cooler or freezer.
- Both boxes shall be with or without floor.

- Doors can be right or left hinged.
- Doors can be 30" or 36" wide.

Please select layout:

### Alternative Layout Options



Please select options:

#### Box Options

- Box 1: Cooler - Box 2: Freezer
- Box 1: Freezer - Box 2: Cooler
- Box 1: Cooler - Box 2: Cooler
- Box 1: Freezer - Box 2: Freezer

#### Floor Options

- Both boxes with floor
- Both boxes without floor

#### Door Options

- BOX 1 DOOR
- Narrow Door: 30" x 77"
  - Standard Door: 36" x 77"
- BOX 2 DOOR
- Narrow Door: 30" x 77"
  - Standard Door: 36" x 77"

#### Hinge Options

- BOX 1 DOOR
- Right Hinge
  - Left Hinge
- BOX 2 DOOR
- Right Hinge
  - Left Hinge

#### Refrigeration Options

- Box Only
- Remote
- Top-Mount

#### Additional Options

- 4 FT LED light
- Exterior Ramp
- Aluminum Diamond Plate
- Kick Plate

### CUSTOMER APPROVAL

DATE: \_\_\_\_\_

NAME: \_\_\_\_\_

SIGNATURE: \_\_\_\_\_