

Project \_\_\_\_\_

Item Number \_\_\_\_\_

Quantity \_\_\_\_\_

Round Oven



\* Comes Standard with Black Iron Walls

## Stone Hearth Pizza Dome Oven

### Models:

- DOME39R: Round pizza oven
- DOME47R: Round pizza oven
- DOME51R: Round pizza oven
- DOME55R: Round pizza oven
- DOME59R: Round pizza oven

Pizza Oven

### Features:

- Handmade firebrick pizza oven
- Static cooking floor
- Round internal cooking chamber
- Insulated and ready to be connected to smoke stack
- Very well insulated, outside is cool to touch at highest temperature

### Standard Accessories:

- Iron stand
- Thermometer
- Iron door
- Stack exhaust internal diameter 7 7/8" (20cm)

### Optional Accessories:

- Black or customizable exterior
  - Red brick
  - Yellow brick
  - 10 x 10 tiles
  - Marble
  - Metal leaves
  - Mosaic
  - Stone

### Burner Specifications:

- 3/8" (.95 cm) NPT gas connection
- Natural Gas or Propane
- Natural Gas- 4.0" WC
- Propane- 10.0" WC

Venting: Depends on local state code. Recommend a dedicated natural draft flue. If exhaust fan is required by code, it needs to be no more than 200-300 CFM.

### Warranty:

- One year, on-site parts and labor



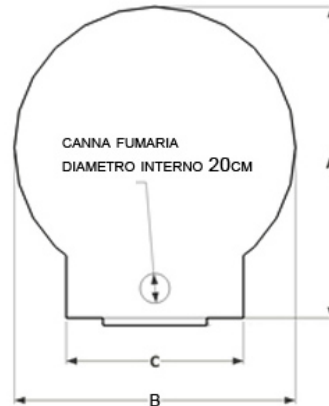
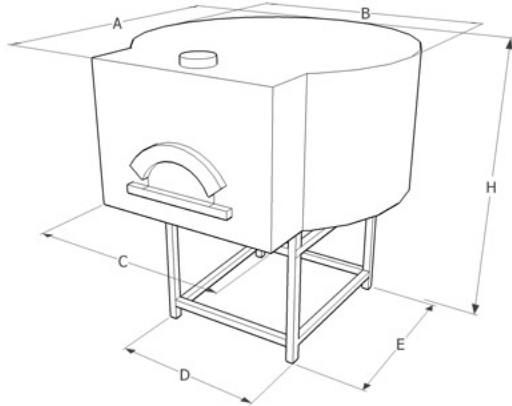
Univex Corporation



WE RAISE THE BAR. WE SET THE STANDARD.

# Stone Hearth Pizza Dome Oven

**Gas**



	<b>DOME39R</b>	<b>DOME47R</b>	<b>DOME51R</b>	<b>DOME55R</b>	<b>DOME59R</b>
A	57" (145cm)	64.9" (165cm)	68.8" (175cm)	72.8" (185cm)	76.7" (195cm)
B	55" (140cm)	62.9" (160cm)	66.9" (170cm)	70.9" (180cm)	74.8" (190cm)
C	38.5" (98cm)	43.3" (110cm)	43.3" (110cm)	43.3" (110cm)	43.3" (110cm)
D	47.2" (120cm)	55.1" (140cm)	59" (150cm)	62.9" (160cm)	66.9" (170cm)
E	47.2" (120cm)	55.1" (140cm)	59" (150cm)	62.9" (160cm)	66.9" (170cm)
H	72.8" (185cm)	72.8" (185cm)	72.8" (185cm)	72.8" (185cm)	72.8" (185cm)

Internal Diameter: DOME39R- 39 3/8" (100cm),  
 DOME47R- 47 1/4" (120cm),  
 DOME51R- 51 1/4" (130cm),  
 DOME55R- 55 1/8" (140cm),  
 DOME59R- 59 1/8" (150cm)

Vent Pipe: 7.87"(200mm)

### Oven Weight

DOME39R	2645.5lbs. (1200Kg)
DOME47R	4850.2lbs. (2200Kg)
DOME51R	5180.9lbs. (2350Kg)
DOME55R	5511.6lbs. (2500Kg)
DOME59R	5952.5lbs. (2700Kg)

### Number of Pizzas

Model	12" Pizzas
DOME39R	5
DOME47R	7
DOME51R	9
DOME55R	11
DOME59R	13

BTU: DOME39R, DOME47R, DOME51R - 92500 BTU  
 DOME55R, DOME59R - 97500 BTU

### Electrical Information (60Hz)

	Voltage	Phase	Amps
Standard Voltage	115	1	16

Minimum clearance away from combustibles from all sides: 6" (15.2cm)

Minimum clearance away from combustibles from top: 16" (40.6cm)

Please note that standard dry-wall or sheet rock is considered a combustible

Built on a non combustible floor with at least 32" (81.3cm) surrounding the oven  
 and at least 40" (101.6cm) in front of the oven

Minimum clearance under oven: 31 inches<sup>2</sup> (200cm<sup>2</sup>)

Leave enough clearance for someone to service the oven



**Univex Corporation**  
[www.Univexcorp.com](http://www.Univexcorp.com)

3 Old Rockingham Rd  
 Salem, NH 03079  
 United States of America

TEL: (800)258-6358  
 INTL TEL: (603)893-6191  
 FAX: (800)356-5614  
 INTL FAX: (603)893-1249