

ELECTRIC SANDWICH/ PANINI GRILLS



MADE IN BRAZIL



Models:

SASL / SSGL / SSGE

Standard Features

- Heavy Duty
- Feet Included
- Rubber Handle
- Stainless Steel Body
- Cast Aluminum Grid Plate
- Removeable Grease Collector
- Adjustable Temperature Control
- Adjustable Max Pressure System
- Uniform Heating
- Easy to Use and Clean
- Ideal for Sandwiches, Meats, Vegetables and more
- On Light Indicator



SASL



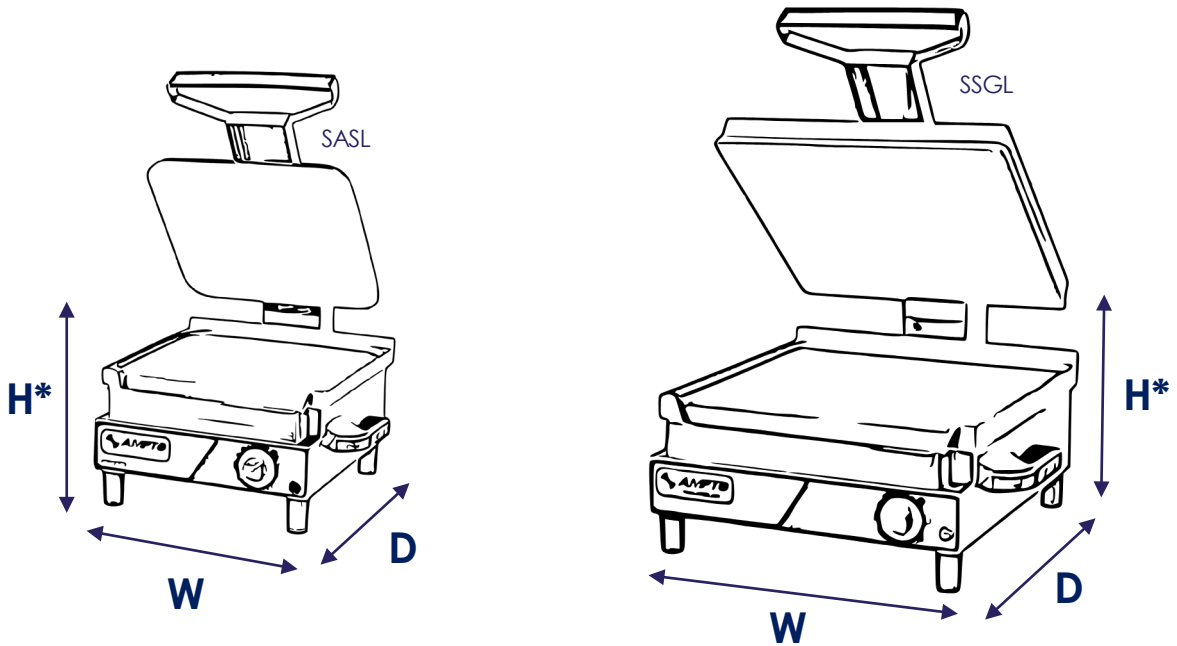
SSGL



SSGE

1-year parts and labor warranty (US Only)

ELECTRIC SANDWICH/ PANINI GRILLS



SPECIFICATIONS			
	SASL	SSGL	SSGE
Type	Flat		Ribbed
Cooking Surface	12 3/8" x 13 5/8"	16 1/2" x 17"	16 1/2" x 17"
Power Supply	110V / 60Hz / 1ph		
Amps	14.1		
Plug / Connection	Nema 5-15P		
Watts	1550 W		
Consumption	0.8 kWh		
Net Weight (lbs)	30	46	46
Product Dim. (WxDxH*)	13.3" x 19.5" x 14.3"	17.2" x 24.3" x 15"	17.2" x 24.3" x 15"
Packed Unit Weight (lbs)	32	48	48
Packed Unit Dim. (WxDxH)	17" x 21" x 11"	26" x 24" x 14"	26" x 24" x 16"

H* = Height of unit with closed lid

*SASL and SSGL also available in special voltage 220V/60-50hz under request



Notes:

- Properly clean and dry after daily use to ensure best performance and equipment longevity.



Nema 5-15 125 VAC
2 Pole, 3 Wire
Grounding

AMPTO is continuously improving products. Specifications are subject to change without notice.