

MODEL: ICT-VIP1330B1/3SOLIDLID

COUNTER TOP:
 Refrigerated ingredient displays – Glass top

Important: Do only introduce refrigerated products! For daily cleaning, remove products and disconnect unit.



General Strengths

- ✓ **Sanitation.** The interior cabinet is built with rounded corners (extensive radius for easy cleaning). Quick ability to take off shelves and slides for interior cleaning. Each cabinet has a drain at the bottom of the unit. When cleaning the unit make sure the drain hose is routed to a floor drain.
- ✓ **Lighting.** Interior cabinet includes LED lighting, for brighter lighting and energy efficiency, LED saves 90% more energy compared to traditional fluorescent bulbs. Considerably increases product visibility.
- ✓ **Control systems.** Higher precision in managing temperature settings. The ability to adjust temperature ranges to meet end user’s requirements.
- ✓ **100% Tested.** All condenser units tested 100%, in helium chambers to refrigerant leak detections.
- ✓ **Certified.** Audited and Certified by **INTERTEK** for compliance with UL 471 and NSF 7. EQA audited and certified by internationally recognized firm. ISO 9001:2015 (Quality); ISO 14001:2015 (Environmental); ISO 45001:2018 (Prevention and Worker Safety)

Revisión:01 Date: 09/12/2022 ICT-VIP1330B1_3SOLIDLID

MODELS	Dimensions (inches) (mm)			Doors	Ref.	Ref.Weight (Lbs.) (gr.)	Temperature Range (°F) (°C)	Cond. Unit (H.P)	Capacity (Cu.Ft.) (L)	Case Amps 115V	Net weight (Lbs.) (Kg.)
	W	D	H								
ICT-VIP1330B1/3SOLIDLID	52-3/8 1328	16-1/4 413	17-3/4 450	-	R600	0,08 40	39°F/41°F 4°C/6°C	1/6	1.30 37	1.82	108 50

ETL LISTED TO UL471 STANDARD AND SANITATION CLASSIFIED TO NSF7 – WE RESERVE THE RIGHT TO CHANGE SPECIFICATIONS WITHOUT PRIOR NOTICE



Project: _____
 Location: _____
 Item #: _____ Quantity: _____
 Model #: _____

MODEL: ICT-VIP1330B1/3SOLIDLID

COUNTER TOP:
Refrigerated ingredient displays – Glass top

STANDARD FEATURES

➤ **Exterior**

- AISI 304 Stainless Steel,
- AISI 304 Stainless lid,
- Levelling feet.

➤ **Interior**

- AISI 304 Stainless Steel,
- Sealed interior floors and rounded cabinet corners,
- Stainless steel 6" deep pans, included.

OPTIONAL FEATURES

- ✓ Electrical connections is:
 220 – 230 V / 1 ph / 50Hz (plug type varies).

➤ **Insulation**

- Polyurethane with high density 40kg/m³, CFS free, zero ODP and low GWP.
- Low GWP & Zero ODP effect.

➤ **Refrigeration**

- Digital temperature controller,
- Cold wall refrigeration system,
- Refrigeration capacity: 973 Btu/h (14°F) / 190 W (-10°C).

➤ **Electrical**

- Cord and NEMA 5-15P plug,
- Electrical connection is 115V/ 1ph / 60 Hz.



➤ **ETL Listen to UL471 Standard and Sanitation classified to NSF7.**

ETL LISTED TO UL471 STANDARD AND SANITATION CLASSIFIED TO NSF7 – WE RESERVE THE RIGHT TO CHANGE SPECIFICATIONS WITHOUT PRIOR NOTICE

INFRICO-North America Corporate División
 1409NW 84th Avenue, Doral FL 33126
 (305) 777 9599 ext.700 / f (305) 777 9598
 Toll Free 855-340-4637

www.infrico.us
sales@infrico.com
service@infrico.com



Revision:01 Date: 09/12/2022 ICT-VIP1330B1_3SOLIDLID



Project: _____
 Location: _____
 Item #: _____ Quantity: _____
 Model #: _____

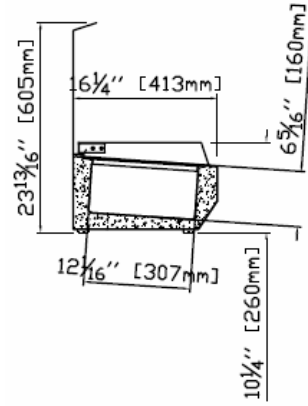
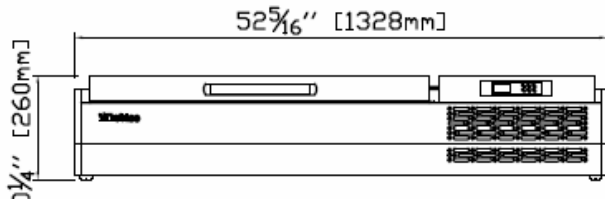
MODEL: ICT-VIP1330B1/3SOLIDLID

COUNTER TOP:
 Refrigerated ingredient displays – Glass top

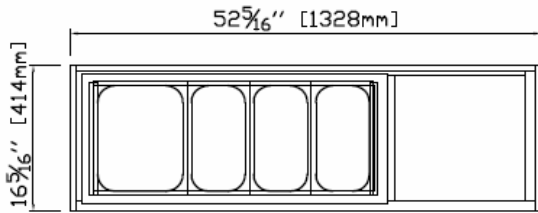
PLAN VIEW

ELEVATION

RIGHT VIEW



PLAN VIEW



ETL LISTED TO UL471 STANDARD AND SANITATION CLASSIFIED TO NSF7 – WE RESERVE THE RIGHT TO CHANGE SPECIFICATIONS WITHOUT PRIOR NOTICE

INFRICO-North America Corporate División
 1409NW 84th Avenue, Doral FL 33126
 (305) 777 9599 ext.700 / f (305) 777 9598
 Toll Free 855-340-4637

www.infrico.us
sales@infrico.com
service@infrico.com

Revision: 01 Date: 09/12/2022 ICT-VIP1330B1_3SOLIDLID

