

Countertop Electric Fryer

Standard Features

- All stainless steel construction
- Removable, stainless steel fry baskets with handles
- Nickel-plated fry baskets with cool-to-touch insulated handles
- 70°F – 375°F thermostat
- High temperature control with manual reset
- Built-in basket hooks
- Attached power cord and plug (dual power cords and plugs on the ACEF-32)
- Easy to remove and clean control box and swing up elements

MODELS:

ACEF-10 / ACEF-16 / ACEF-32



ACEF-10



ACEF-16



ACEF-32



1 YEAR PARTS AND LABOR WARRANTY



Conforms to ANSI
STD Z83.11b-2009 (2011)
Certified for CSA
STD 1.8B-2009 (2011)
Conforms to NSF/ANSI STD.4



REV. 02/25

“WE MAKE THE KITCHEN BETTER!”

SPECIFICATIONS

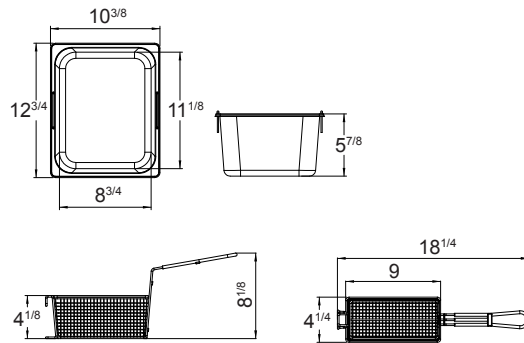
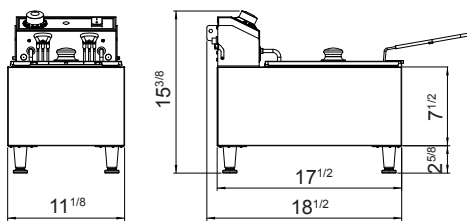
Models	Heating Elements	Baskets	Oil Capacity (lb)	Voltage (V/Hz/Ph)	Power (kW)	Rated Current (A)	Plug	Basket Dimensions (inch)	Exterior Dimensions (inch)	Net Weight (lb)	Gross Weight (lb)
ACEF-10	1	2	10	120V/60Hz/1ph	1.7	14.2	5-20P	9×4 ⁵ / ₁₆ ×4 ¹ / ₈	11 ¹ / ₄ ×18 ¹ / ₂ ×15 ³ / ₈	16.9	20.8
ACEF-16	1	1	16	208~240V/60Hz/1ph	2.9-3.8	14-15.1	6-20P	8 ⁷ / ₁₆ ×7 ⁷ / ₈ ×5 ⁷ / ₈	11 ¹ / ₄ ×18 ¹ / ₂ ×17 ³ / ₁₆	18.4	21.5
ACEF-32	2	2	32	208~240V/60Hz/1ph	(2)2.9-3.8	(2)14-15.1	(2)6-20P	8 ⁷ / ₁₆ ×7 ⁷ / ₈ ×5 ⁷ / ₈	21 ¹ / ₁₆ ×18 ¹ / ₂ ×17 ³ / ₁₆	31.7	36.9

PLAN VIEW

ACEF-10

SIDE VIEW

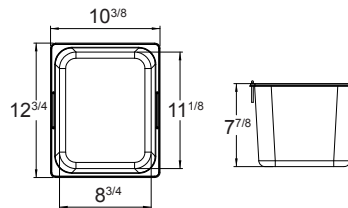
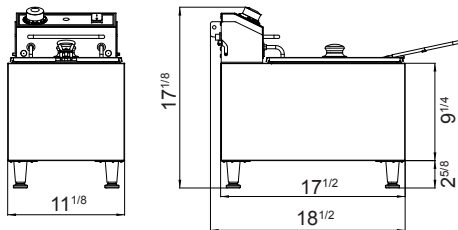
TANK & BASKET



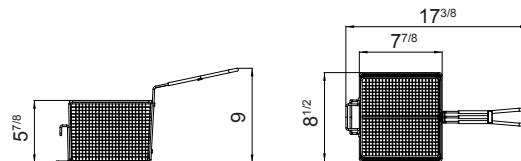
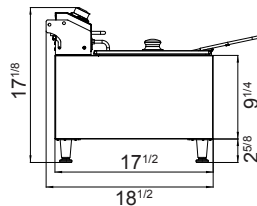
ACEF-16

SIDE VIEW

TANK & BASKET



ACEF-32



ACEF-10

ACEF-16
ACEF-32

