



PROJECT

ITEM NO:

QUANTITY:

## Plate Casters - Bolt On (1 of 2)

### Universal Swivel Square Plate 5" Wheel Caster Set

#### FEATURE:

- Square Plate size available in (4" x 4") and (3-1/2" x 3-1/2")
- 5" diameter Polyurethane Wheel
- 250lbs. Wheel Load Capacity
- Adds 6" to height

#### PACKAGING:

- 4 casters with locks per set in color retail box.
- 6 boxes per master carton

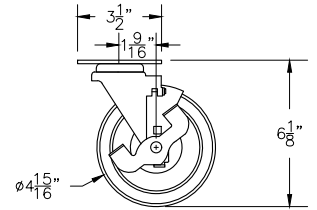
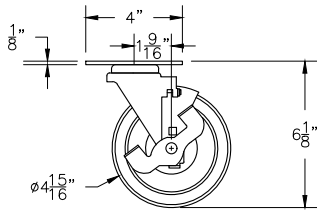


PLATE: 4" x 4"

MODEL: SM-CS207

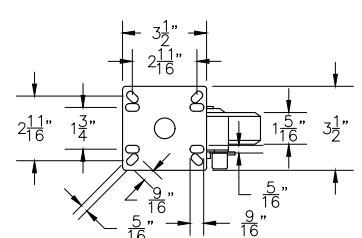
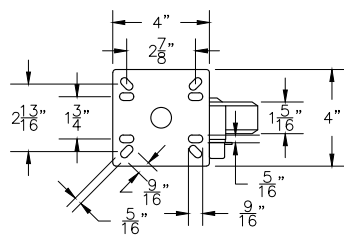


PLATE: 3-1/2" x 3-1/2"

MODEL: SM-CS211

### Universal Swivel Square Plate 3" Wheel Caster Set

#### FEATURE:

- Square Plate (3-1/2" x 3-1/2")
- 3" diameter Polyurethane Wheel
- 250lbs. Wheel Load Capacity
- Adds 4-1/4" to height

#### PACKAGING:

- 4 casters with locks per set in color retail box.
- 6 boxes per master carton

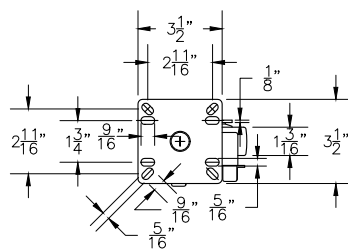
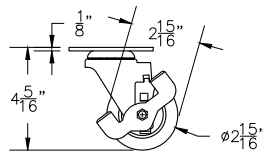


PLATE: 3-1/2" x 3-1/2"

MODEL: SM-CS210



### Universal Swivel Rectangular Plate 5" Wheel Caster Set

#### FEATURE:

- Rectangular Plate (2-3/8" x 3-5/8")
- 5" diameter Polyurethane Wheel
- 250lbs. Wheel Load Capacity
- Adds 6" to height

#### PACKAGING:

- 4 casters with locks per set in color retail box.
- 6 boxes per master carton

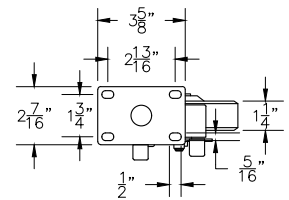
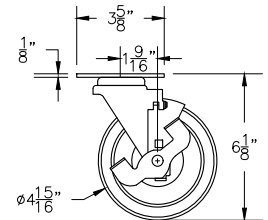


PLATE: 2-3/8" x 3-5/8"

MODEL: SM-CS213



Specifications subject to change without notice.

All dimensions are typical (Tolerance 1/16").



Rev. 03/22

SAPPHIRE MANUFACTURING  
Tel: 718-543-2111  
Fax: 718-543-2121

info@sapphiremanufacturing.com  
WWW.SAPPHIREMANUFACTURING.COM



PROJECT \_\_\_\_\_

ITEM NO: \_\_\_\_\_

QUANTITY: \_\_\_\_\_

## Triangle Plate Casters

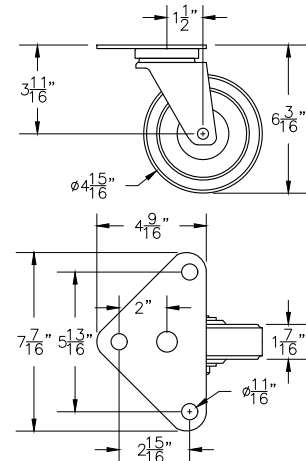
Universal Heavy Duty Swivel  
Triangular Plate  
5" Wheel Caster Set

### FEATURE:

- Triangular Plate (5-3/8" x 7-1/2" x 5-3/8")
- 5" diameter Polyurethane Wheel
- 500lbs. Wheel Load Capacity
- Adds 6" to height

### PACKAGING:

- 4 casters with locks per set in color retail box.
- 6 boxes per master carton



**MODEL:** SM-CS261

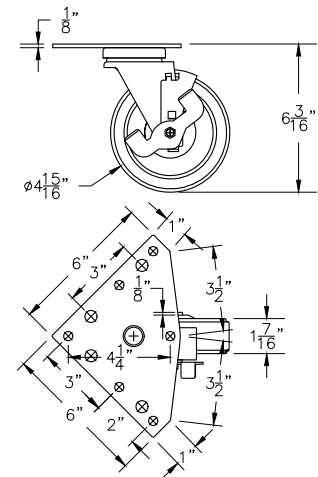
Universal Heavy Duty Swivel  
Multi-hole Triangular Plate  
5" Wheel Caster Set

### FEATURE:

- Triangular Plate (6" x 6" x 1" x 3-1/2" x 3-1/2" x 1")
- 5" diameter Polyurethane Wheel
- 500lbs. Wheel Load Capacity
- Adds 6-1/4" to height

### PACKAGING:

- 4 casters with locks per set in color retail box.
- 6 boxes per master carton



**MODEL:** SM-CS266

Specifications subject to change without notice.

All dimensions are typical (Tolerance 1/16").



Rev. 03/22

SAPPHIRE MANUFACTURING  
Tel: 718-543-2111  
Fax: 718-543-2121

info@sapphiremanufacturing.com  
WWW.SAPPHIREMANUFACTURING.COM