



STAINLESS STEEL

# HAND SINK WITH UTILITY SINK 7-PS-COMBO

Conforms To NSF 61/9 Lead Free Requirements



Item #:	_____	Qty #:	_____
Model #:	_____		
Project #:	_____		



Easy Access To Plumbing



Deck Mounted Hot/Cold Swing Spout Faucet



Pot Filler Faucet With Vacuum Breaker



10" x 14" x 5" Sink



16 1/8" x 16 1/8" x 6" Pot Filler Bowl



Subway Style Stainless Steel Grate



Removable Stainless Steel Grate

## OVERALL FEATURES:

- 16 gauge stainless steel.
- Removable right side panel to access plumbing. Left side panel with faucets on left side also available (Specify when ordering).
- Bolt-on stainless steel legs adjustable & bullet feet.
- Hot/cold swing spout faucet with Laminar Flow Device.
- Pot filler faucet with single handle on/off handle & hook. Includes continuous water hold down ring & 68" stainless steel hose.

### Hand Sink Features:

- 10" x 14" x 5" fabricated sink bowl.
- 5" high backsplash,
- K-6 stainless steel 3-1/2" drain with basket.
- K-64 deck mounted swing spout faucet furnished with aerator.
- K-65 Pot filler faucet with 68" hose & finger hook.
- K-6 stainless steel 3-1/2" drain with basket.

### Utility Sink Features:

- 16 1/8" x 16 1/8" x 6" fabricated bowl.
- Removable stainless steel "Subway Style" grating from 3/16" x 1" solid "304" stainless steel bar.
- K-6 stainless steel 3-1/2" drain with basket.

## CONSTRUCTION:

All TIG welded.  
Welded areas blended to match adjacent surfaces and to a satin finish.

## MATERIAL:

16 gauge type 304 series stainless steel.  
"Subway Style" "304" Stainless steel grating.  
Wall mounting bracket is galvanized and of offset design.  
All fittings are brass / chrome plated unless otherwise indicated.

## MECHANICAL:

Faucet supply is 1/2" IPS male thread hot and cold water supply.  
Pot filler faucet includes built in vacuum breaker. Faucet has single water supply. A K-425 Thermostatic Mixing Valve may be used to add hot & cold water supplies. (See Page 2).  
K-6 drain is 1 1/2" I.P.S.

Model	Description	Hand Sink Bowl size (W x L x D)	Utility Sink Bowl size (W x L x D)	Overall Size (W x L x H)	Approx. Wt.
7-PS-COMBO	Standard Model - Includes Faucets	10" x 14" x 5"	16 1/8" x 16 1/8" x 6"	26" x 20 1/2" x 38 1/2"	83 lbs.

**WARNING:** Equipment that includes a faucet may expose you to chemicals, including lead, that are known to the State of California to cause cancer or birth defects or other reproductive harm. For more info., visit [www.p65warnings.ca.gov](http://www.p65warnings.ca.gov).



Customer Service Available To Assist You 1-800-645-3166 8:30 am - 7:00 pm E.S.T.

For Orders & Customer Service:

Email: [customer@advancetabco.com](mailto:customer@advancetabco.com) or Fax: 631-242-6900

For Smart Fabrication™ Quotes:

Email: [smartfab@advancetabco.com](mailto:smartfab@advancetabco.com) or Fax: 631-586-2933

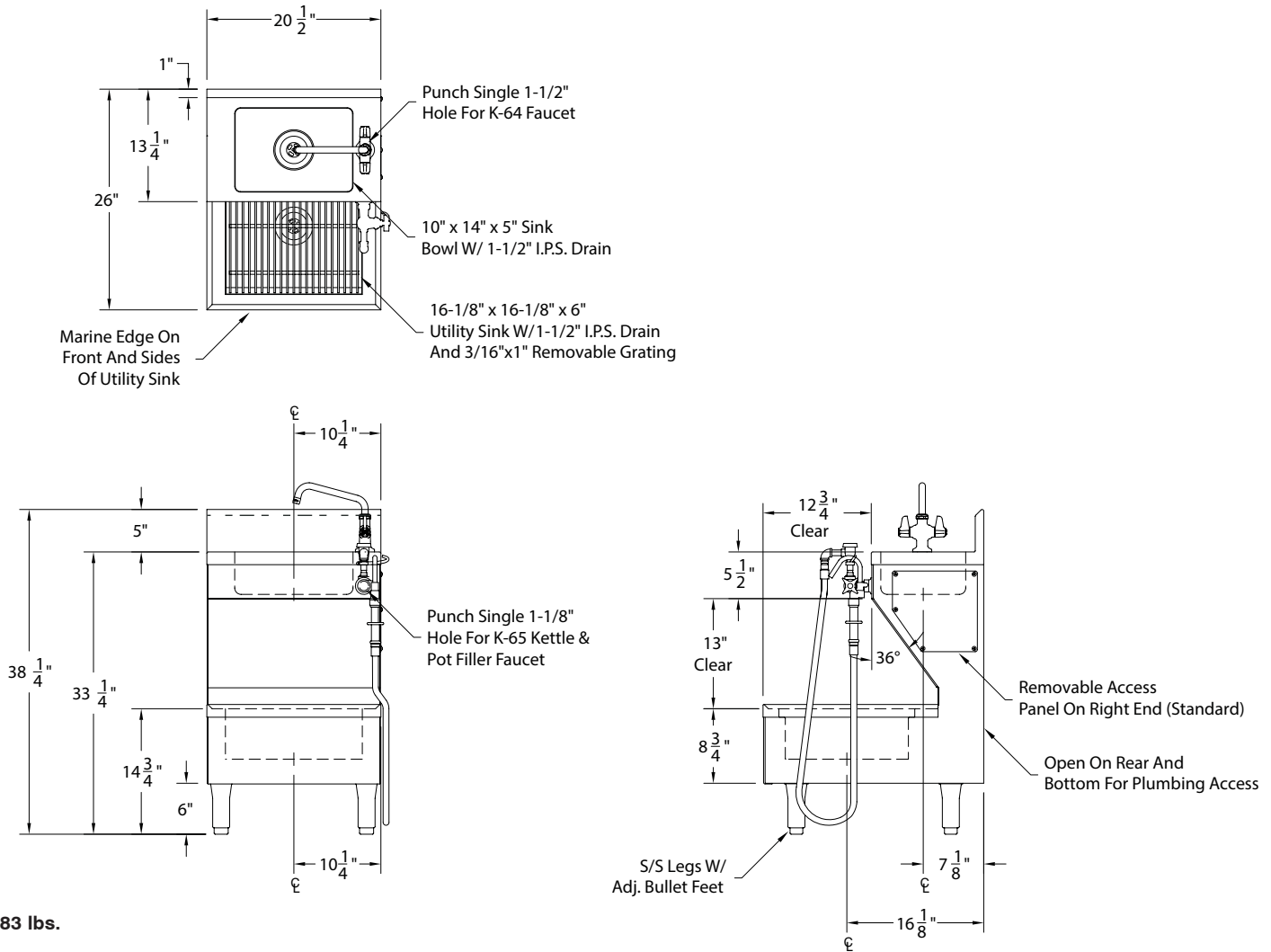
# DIMENSIONS and SPECIFICATIONS

TOL Overall: ± .500" Interior: ± .250"

FITTINGS SUPPLIED AS SHOWN

ALL DIMENSIONS ARE TYPICAL

## 7-PS-COMBO Shown



## OPTIONAL ACCESSORIES AND REPLACEMENT FAUCETS

**Thermostatic  
Mixing Valve  
K-425**



**8" Swing Spout  
Single Hole Faucet  
K-64**



**3 1/2" Hook Nozzle  
Single Hole Faucet  
K-65**

