



FOOD WARMER

SERVING THE FOOD INDUSTRY SINCE 1951

Single Sauce Pot Warmer

Model: FW-CN-0251 Item: 44181



The Omcan Sauce Pot Warmer keeps your toppings and sauces at optimal temperature for your customers.



WARRANTY
PARTS AND LABOR



Authorized Dealer

FEATURES:



Designed for easy use with just a flick of a switch.



The inserts are separate from the machine. Which, makes cleaning it very easy.

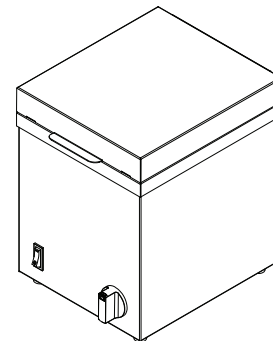
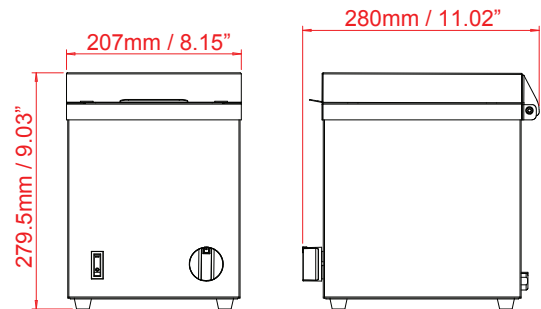


The temperature is controlled by an adjustable temperature dial which ranges from 46° - 90.5° Celsius.

TECHNICAL SPECIFICATION

ITEM NUMBER	44181
MODEL	FW- CN-0251
DESCRIPTION	Single Sauce Pot Warmer
POT SIZE	2.5L
MATERIAL	Stainless Steel
TEMPERATURE RANGE	46°C / 60°C / 73.9°C / 90.5°C / 115°F / 140°F / 165°F / 195°F
POWER	200W
ELECTRICAL	120V / 60Hz / 1
NET WEIGHT	4.8 KG / 10.58 LBS
GROSS WEIGHT	5.6 KG / 12.35 LBS
DIMENSIONS (DWH)	11.02" x 8.15" x 9.03" / 280mm x 207mm x 279.5mm
GROSS DIMENSIONS	11.61" x 10.83" x 13.19" / 295mm x 275mm x 335mm

OVERALL DIMENSIONS



NEMA
5 - 15
125 VAC / 15 AMP



OMCAN INC.

Telephone: 1-800-465-0234
Fax: (905) 607-0234
Email: sales@omcan.com
Website: www.omcan.com



Follow us to keep up to date with the latest news and offers

