

# Simple and effective

## Exhaust Hood

### The features of the TDR Rotisserie Exhaust Hood are as simple as they are effective.

With the Fri-Jado rotisserie exhaust hood, it is not necessary to spend time and money on installing a central ventilation system. You will save energy, as you will bring no disturbance to your store climate. Because the units are self-contained, you can position your TDR rotisserie anywhere in the store and create a front cooking situation.

Our exhaust hoods have an advanced filtration process which removes virtually all smoke, grease particles and odours from the air stream.



TDR P with Exhaust Hood

### Features Exhaust Hood

#### Top features

- Eliminates need for central ventilation system
- Effective air filtration system

#### Standard characteristics

- Easy cleaning
- Matching design with single or double stacked rotisserie ovens

#### Accessories

- Charcoal filter set (5 off)



TDR 8 auto-clean with Ventless Hood



TDR 5 M with Exhaust Hood

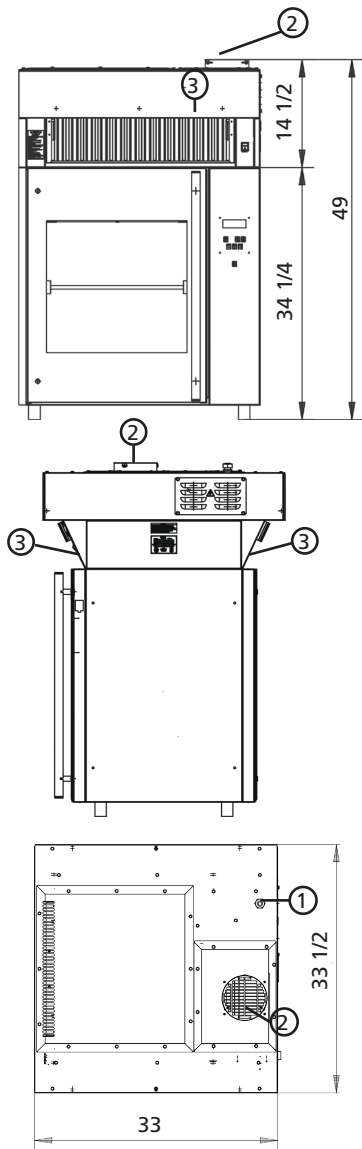


TDR 7 Programmable with Exhaust Hood

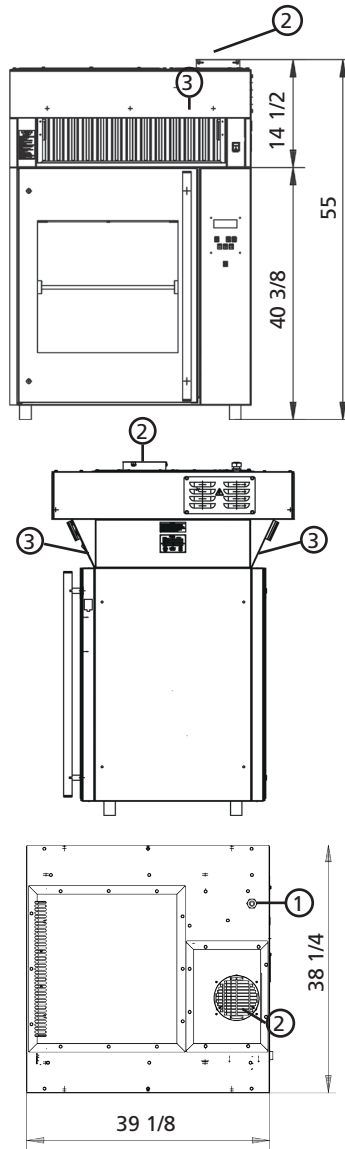


TDR 7+7 Programmable with Exhaust Hood

## TDR 5 with Ventless Hood



## TDR 8 with Ventless Hood



## Exhaust Hood

- 1 Power cable
- 2 Exhaust pipe hood
- 3 Stainless Steel grease filter

### Dimensions Exhaust hood type 5

Width	33"
Depth	33 1/2"
Height	14 1/2"

### Technical specifications Exhaust hood type 5

Net weight	159 lbs
Gross weight	198 lbs
Sound pressure	< 70 dB(A)
Voltage	208 V
Phase	1~
Frequency	50/60 Hz
Power	400W
Plug	NEMA 6-15P
Length of power cable	approx 75"

### Dimensions Exhaust hood type 8

Width	39 1/8"
Depth	38 1/4"
Height	14 1/2"

### Technical specifications Exhaust hood type 8

Net weight	170 lbs
Gross weight	214 lbs
Sound pressure	< 70 dB(A)
Voltage	208 V
Phase	1~
Frequency	50/60 Hz
Power	400W
Plug	NEMA 6-15P
Length of power cable	approx 75"

### Dimensions Exhaust hood type 8 AC

Width	41 1/2"
Depth	42 1/2"
Height	14 1/2"

### Technical specifications Exhaust hood type 8 AC

Net weight	181 lbs
Gross weight	225 lbs
Sound pressure	< 70 dB(A)
Voltage	208 V
Phase	1~
Frequency	50/60 Hz
Power	400W
Plug	NEMA 6-15P
Length of power cable	approx 75"

Specifications and technical data are subject to amendment without prior notice.

These are basic drawings. For more detailed technical information, please refer to the installation manual at [www.frijado.com](http://www.frijado.com).

## TDR 8 auto-clean with Ventless Hood

