



Profit from the Eagle Advantage®

# Specification Sheet

## Short Form Specifications

Eagle Panco® Pizza Dough Box Rack, model OUR-DB-7A. All-welded aluminum construction with 1" square tubular frame and supports. Crossbracing runs side-to-side and front-to-back on top and bottom. 1 1/8" x 1 1/8" extruded aluminum slides with two raised beads to minimize friction. 3 1/2" slide spacing accommodates seven 18" x 26" pizza dough boxes. Furnished with 5"-diameter casters. Shipped assembled.



*pizza dough box rack*

### Options / Accessories

- Casters with locking brakes
- Rotary bumpers
- Perimeter bumper
- Vertical corner bumpers
- Pan stop

**EAGLE GROUP**  
100 Industrial Boulevard, Clayton, DE 19938-8903 USA  
Phone: 302-653-3000 • Fax: 302-653-2065  
www.eaglegrp.com

**Foodservice Division: Phone 800-441-8440**  
**MHC/Retail Display Divisions: Phone 800-637-5100**

For custom configuration or fabrication needs, contact our **SpecFAB® Division**.  
Phone: 302-653-3000 • Fax: 302-653-2065 • e-mail: quotes@eaglegrp.com

Item No.:	_____
Project No.:	_____
S.I.S. No.:	_____

## Panco® Pizza Dough Box Rack

### MODELS:

- OUR-DB-7A
- A208506
- A208513

### Features on Pizza Dough Box Rack

- Heavy duty all-aluminum welded frame construction with solid top.
- Frame and supports: 1" (25mm) square aluminum tubing. Crossbracing runs side-to-side and front-to-back on top and bottom of unit.
- Tray slides: extruded aluminum angle 1 1/8" high x 1 1/8" wide x .068" thick (37 x 48 x 2mm) bearing surface with two raised beads to minimize friction. Slides are riveted to frame.
- Casters: 5" (127mm)-diameter non-marking swivel stem casters with polymer tread.
- Shipped assembled.

### Features on Pizza Dough Box and Cover (sold separately)

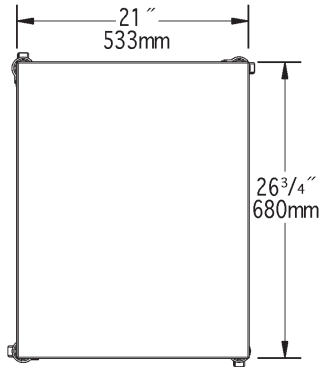
- Made of durable thermoplastic.
- Stackable design.



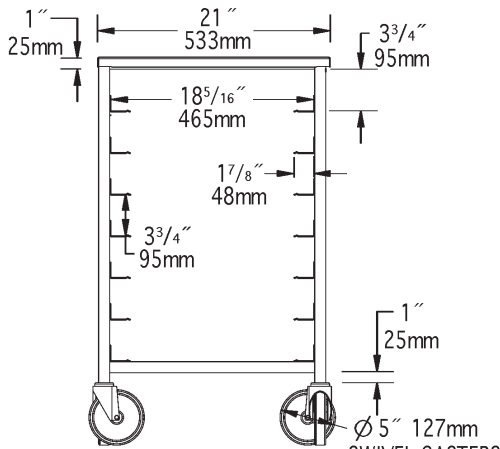


Item No.: \_\_\_\_\_  
 Project No.: \_\_\_\_\_  
 S.I.S. No.: \_\_\_\_\_

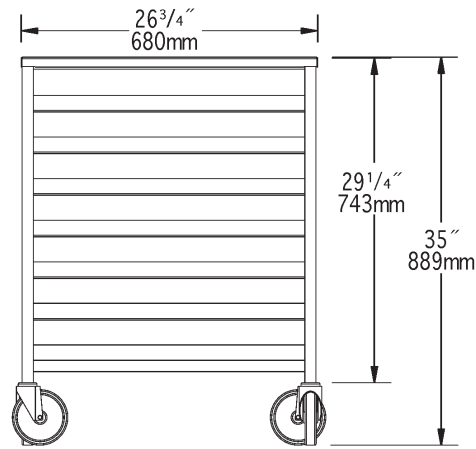
## Panco® Pizza Dough Box Rack



TOP VIEW



FRONT VIEW



SIDE VIEW

model #	overall dimensions						sliding space		box capacity	weight	
	width		depth		height		in.	mm		lbs.	kg
OUR-DB-7A	21"	533	26 3/4"	680	35"	889	3 3/4"	95	7	29	13.2

### Pizza Dough Box and Cover

model #	description	overall dimensions						weight per dozen	
		width		depth		height		lbs.	kg
A208506	pizza dough box	17 3/4"	451	25 3/4"	654	3"	76	46	20.9
A208513	cover	17 3/4"	451	25 3/4"	654	-	-	14	6.4

**EAGLE GROUP**  
 100 Industrial Boulevard, Clayton, DE 19938-8903 USA  
 Phone: 302-653-3000 • Fax: 302-653-2065  
 www.eaglegrp.com

Foodservice Division: Phone 800-441-8440  
 MHC/Retail Display Divisions: Phone 800-637-5100

Printed in U.S.A.  
 ©2017 by Eagle Group  
 Rev. 08/17

Spec sheets available for viewing, printing or downloading from our online literature library at [www.eaglegrp.com](http://www.eaglegrp.com)

Although every attempt has been made to ensure the accuracy of the information provided, we cannot be held responsible for typographical or printing errors. Information and specifications are subject to change without notice. Please confirm at time of order.