

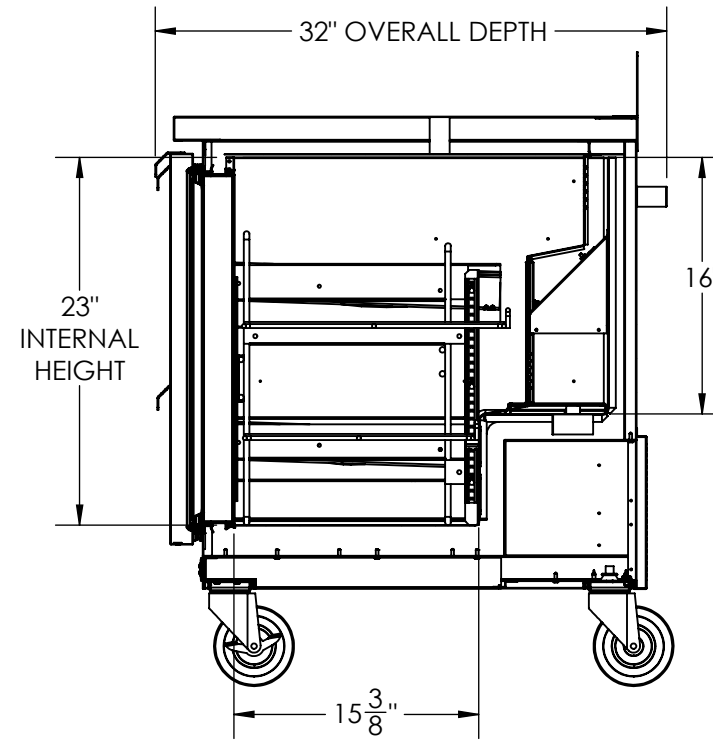
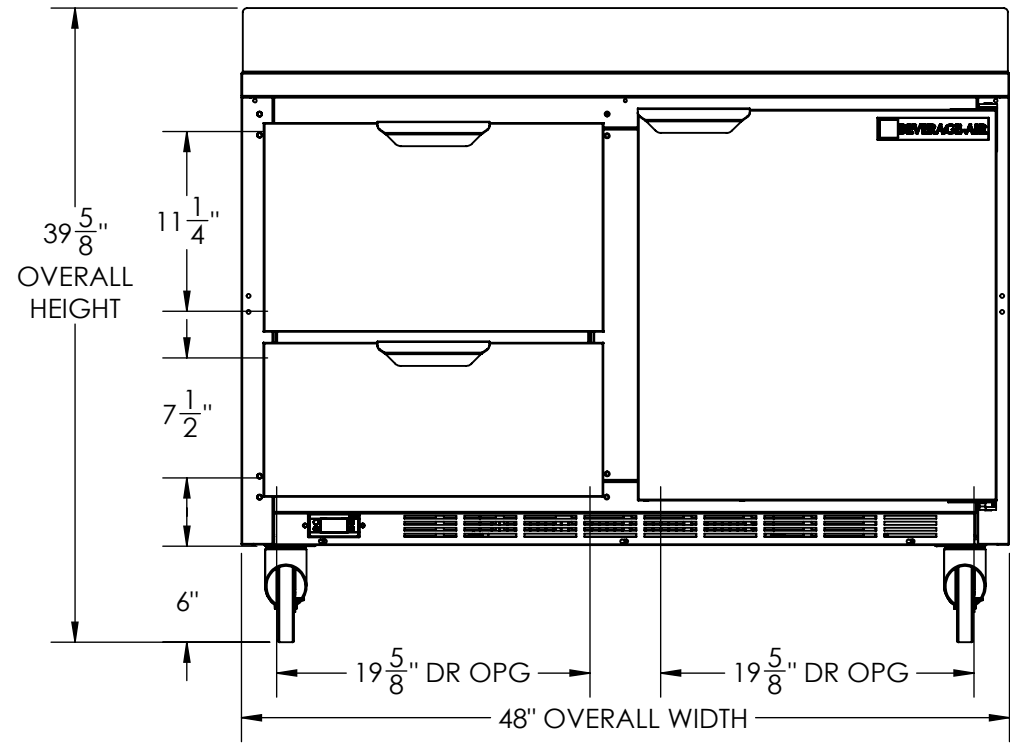
8 7 6 5 4 3 2 1

D

C

B

A

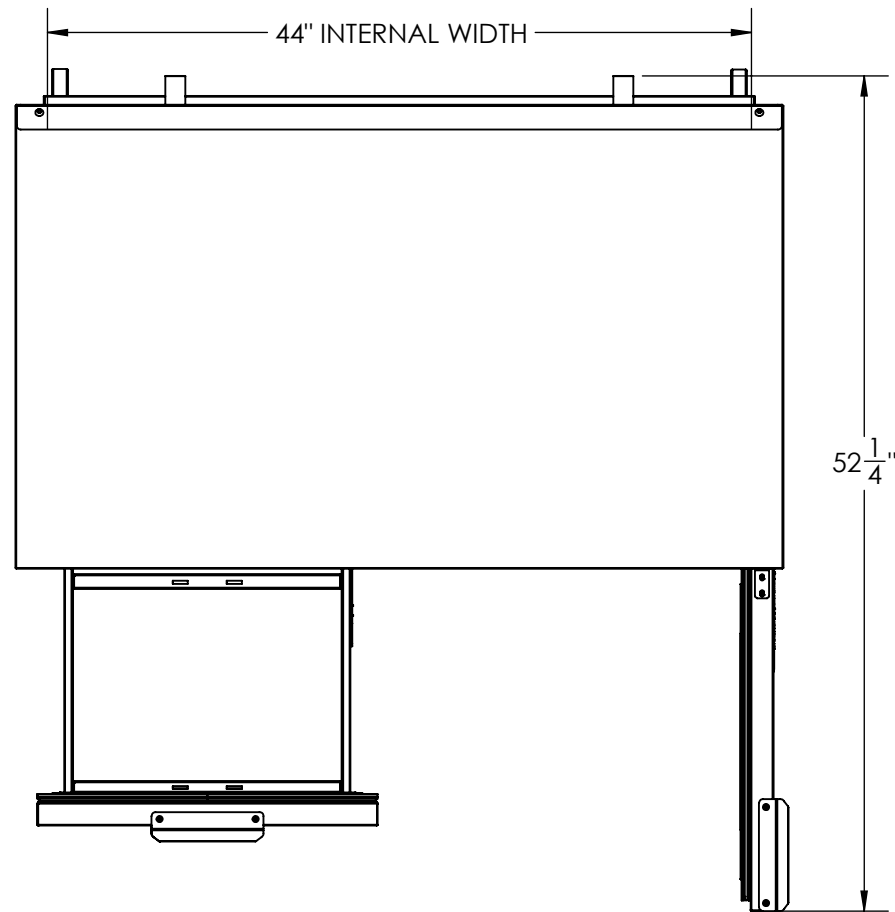


D


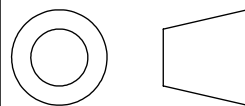
C

B

A



8 7 6 5 4 3 2 1

THIRD ANGLE PROJECTION	UNLESS OTHERWISE SPECIFIED: DIMENSIONS ARE IN INCHES TOLERANCES: ANGULAR: ± 2° ONE PLACE DECIMAL ± .060 TWO PLACE DECIMAL ± .030 THREE PLACE DECIMAL ± .010	NAME	DATE	 BEVERAGE-AIR BROOKVILLE, PA WINSTON-SALEM, NC beverage-air.com		
		DRAWN	AMK 08/18/16			
 COMMENTS:	PROPRIETARY AND CONFIDENTIAL THE INFORMATION CONTAINED IN THIS DRAWING IS THE SOLE PROPERTY OF BEVERAGE-AIR CORPORATION. ANY REPRODUCTION IN PART OR AS A WHOLE WITHOUT THE WRITTEN PERMISSION OF BEVERAGE-AIR CORPORATION IS PROHIBITED.	CHECKED		TITLE:		
		ENG APPR.		SIZE	DWG. NO.	REV
		MFG APPR.		B	WTRD48AHC-2	
		Q.A.		SCALE: 1:12		WEIGHT:
		MODEL	SP100			