

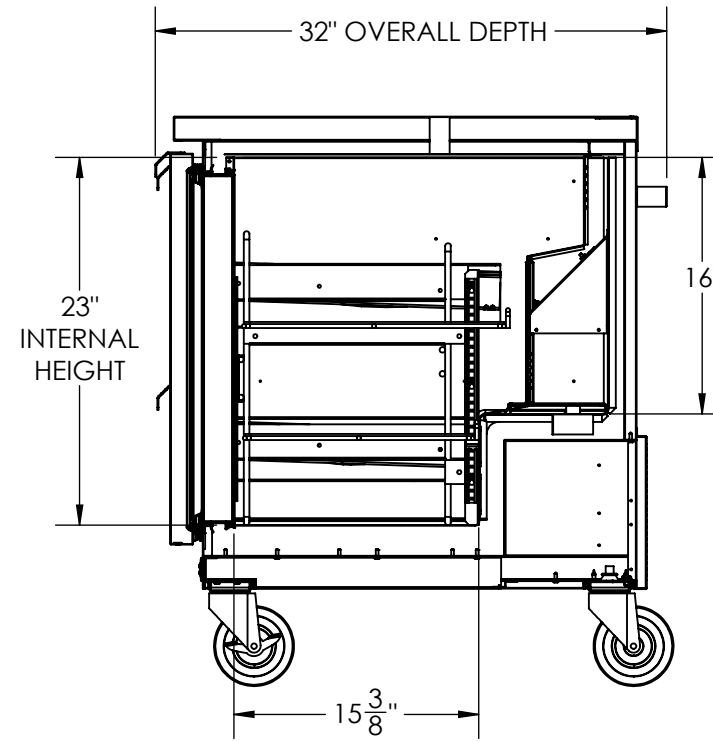
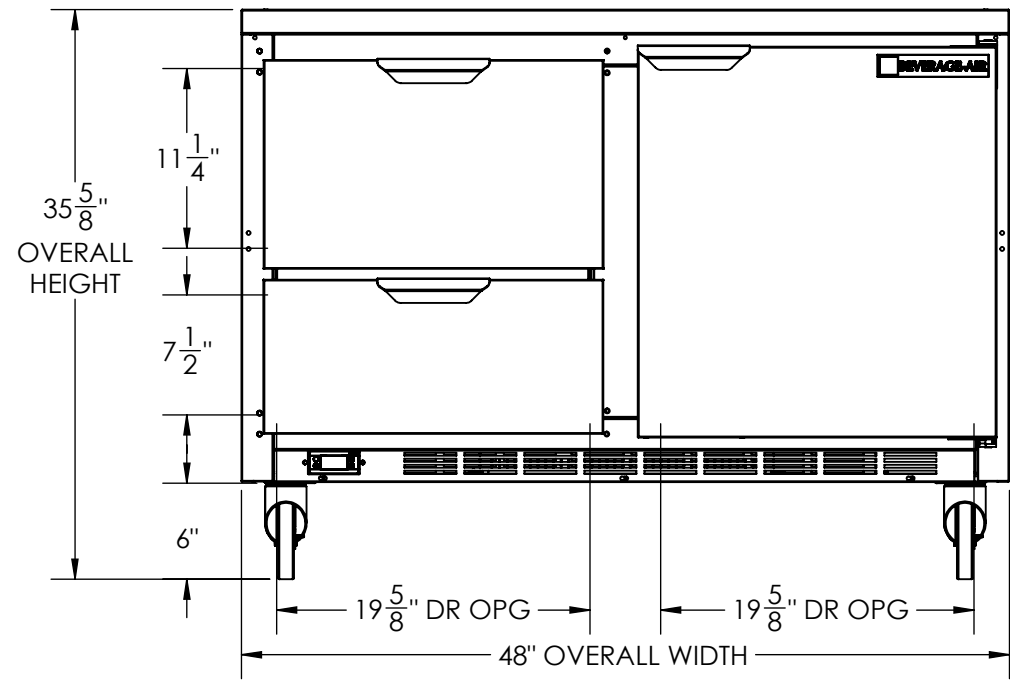
8 7 6 5 4 3 2 1

D

C

B

A

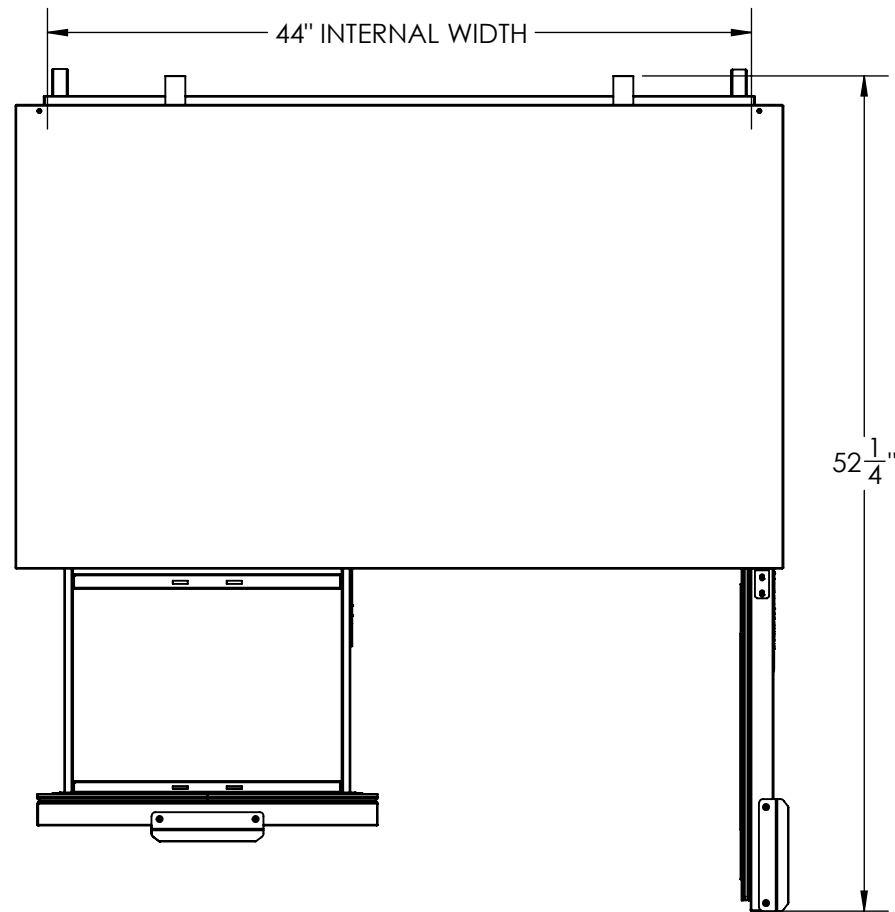


D


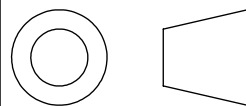
C

B

A



8 7 6 5 4 3 2 1

THIRD ANGLE PROJECTION	UNLESS OTHERWISE SPECIFIED:		NAME	DATE	 BEVERAGE-AIR BROOKVILLE, PA WINSTON-SALEM, NC beverage-air.com		
	DIMENSIONS ARE IN INCHES TOLERANCES: ANGULAR: ± 2° ONE PLACE DECIMAL ± .060 TWO PLACE DECIMAL ± .030 THREE PLACE DECIMAL ± .010	DRAWN	AMK	08/18/16			
		CHECKED					
		ENG APPR.					
COMMENTS:	PROPRIETARY AND CONFIDENTIAL THE INFORMATION CONTAINED IN THIS DRAWING IS THE SOLE PROPERTY OF BEVERAGE-AIR CORPORATION. ANY REPRODUCTION IN PART OR AS A WHOLE WITHOUT THE WRITTEN PERMISSION OF BEVERAGE-AIR CORPORATION IS PROHIBITED.	MFG APPR.			TITLE:		
		Q.A.			SIZE	DWG. NO.	REV
		MODEL			B	WTRD48AHC-2-FLT	
		ENGINEERING REQUIRMENTS			SCALE: 1:12	WEIGHT:	SHEET 1 OF 1
			SP100				