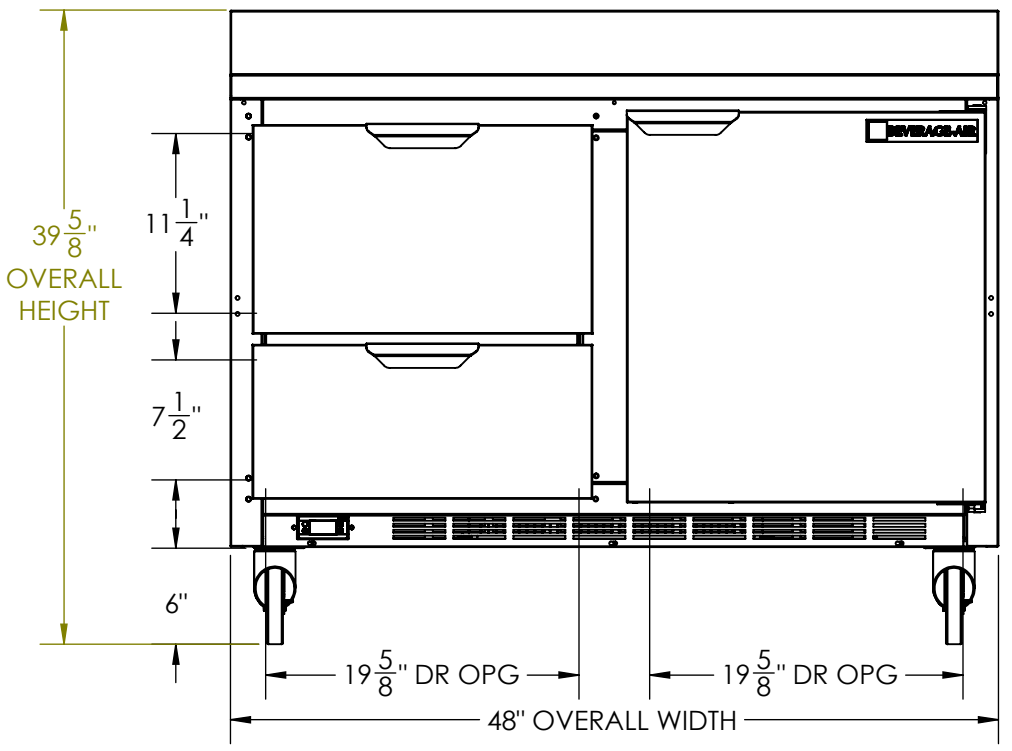
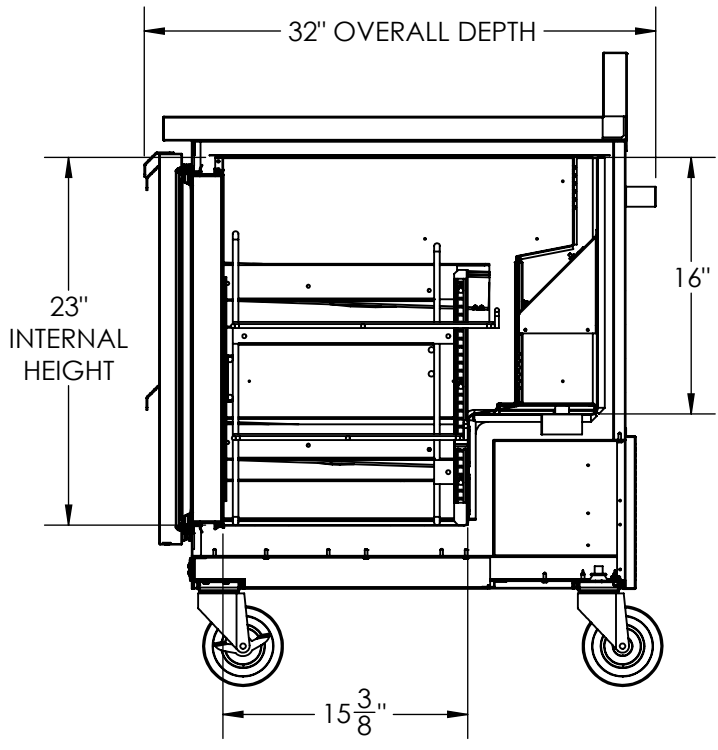


8 7 6 5 4 3 2 1

D



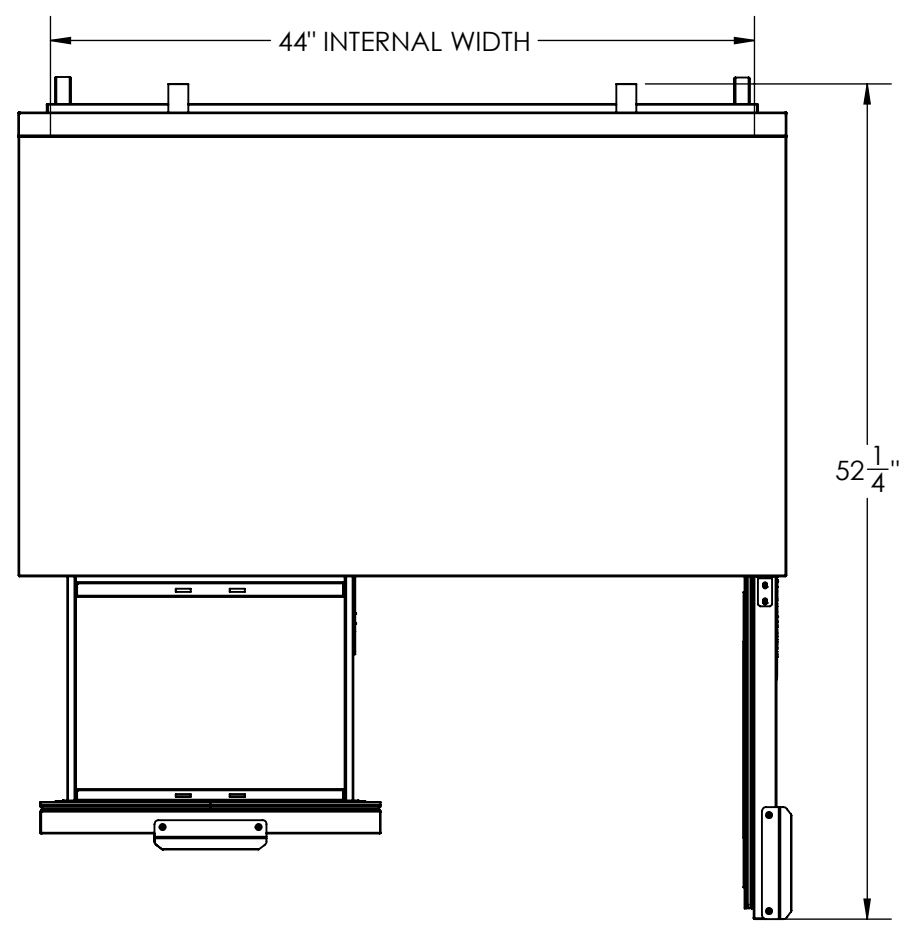
C



D

C

B


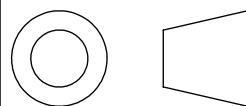


A

B

A

8 7 6 5 4 3 2 1

THIRD ANGLE PROJECTION	UNLESS OTHERWISE SPECIFIED:	NAME	DATE	 BEVERAGE-AIR BROOKVILLE, PA WINSTON-SALEM, NC beverage-air.com
	DIMENSIONS ARE IN INCHES TOLERANCES: ANGULAR: ± 2° ONE PLACE DECIMAL ± .060 TWO PLACE DECIMAL ± .030 THREE PLACE DECIMAL ± .010	DRAWN	AMK 08/18/16	
		CHECKED		
		ENG APPR.		
COMMENTS:	PROPRIETARY AND CONFIDENTIAL THE INFORMATION CONTAINED IN THIS DRAWING IS THE SOLE PROPERTY OF BEVERAGE-AIR CORPORATION. ANY REPRODUCTION IN PART OR AS A WHOLE WITHOUT THE WRITTEN PERMISSION OF BEVERAGE-AIR CORPORATION IS PROHIBITED.	MFG APPR.		TITLE:
		Q.A.		SIZE DWG. NO. REV
		MODEL		B WTRD48AHC-2-FIP
		ENGINEERING REQUIREMENTS		SCALE: 1:12 WEIGHT: SHEET 1 OF 1
		SP100		