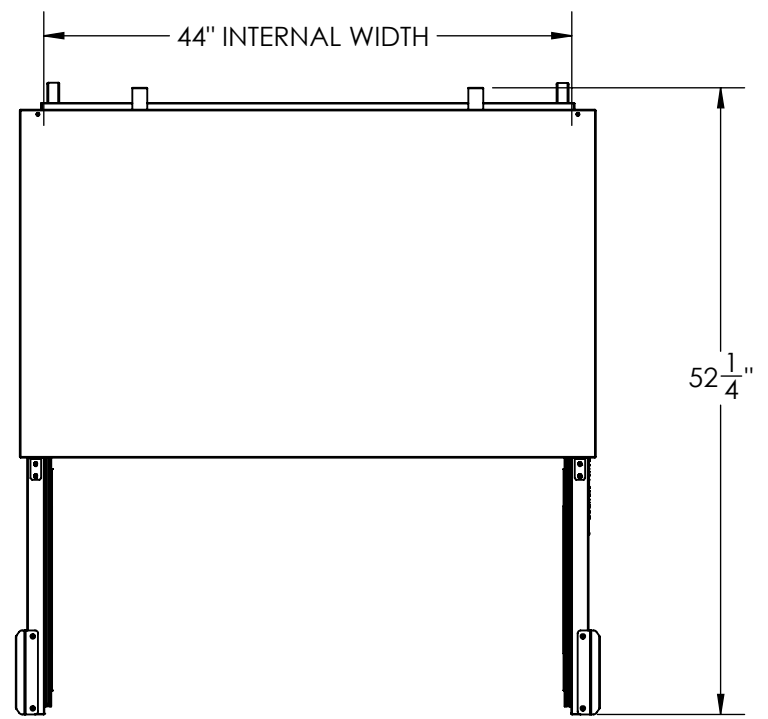
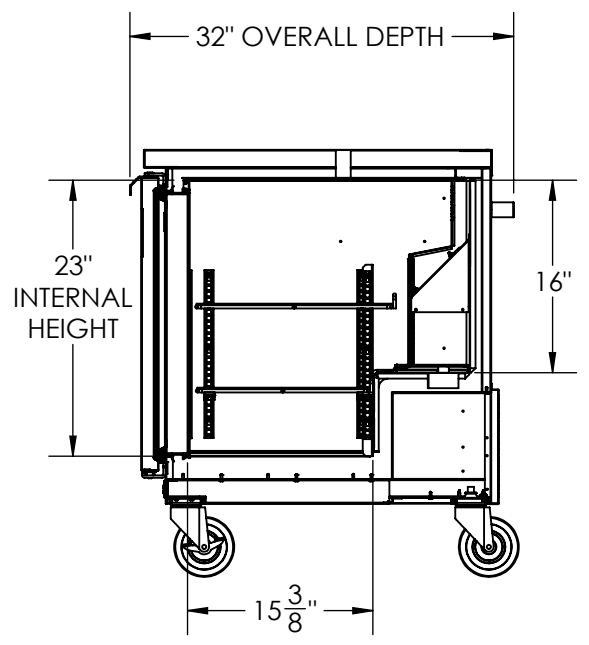
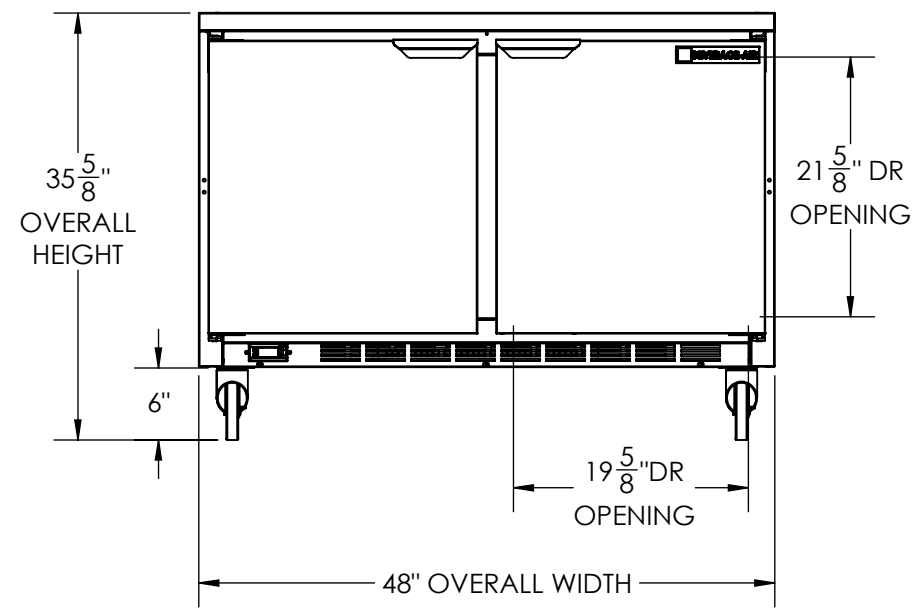


8 7 6 5 4 3 2 1

D  
C  
B  
A



\*\*\*\*\* END OF REV \*\*\*\*\*

REV	REVISION RECORD	DATE	BY	CHK	ECN. NO.

THIRD ANGLE PROJECTION  	UNLESS OTHERWISE SPECIFIED:	NAME	DATE
	DIMENSIONS ARE IN INCHES TOLERANCES: ANGULAR: ± 2° ONE PLACE DECIMAL ± .060 TWO PLACE DECIMAL ± .030 THREE PLACE DECIMAL ± .010	DRAWN	AMK 08/18/16
		CHECKED	
		ENG APPR.	
		MFG APPR.	
COMMENTS:	PROPRIETARY AND CONFIDENTIAL THE INFORMATION CONTAINED IN THIS DRAWING IS THE SOLE PROPERTY OF BEVERAGE-AIR CORPORATION. ANY REPRODUCTION IN PART OR AS A WHOLE WITHOUT THE WRITTEN PERMISSION OF BEVERAGE-AIR CORPORATION IS PROHIBITED.	Q.A.	

		<b>BEVERAGE-AIR</b> BROOKVILLE, PA WINSTON-SALEM, NC beverage-air.com	
TITLE:			
SIZE	DWG. NO.	REV	
<b>B</b>	<b>WTR48AHC-FLT</b>		
SCALE: 1:16		WEIGHT:	SHEET 1 OF 1

8 7 6 5 4 3 2 1