

Champion®

The Dishwashing Machine Specialists

Project _____
Item No. _____
Quantity _____

STANDARD FEATURES

- Compact, flexible design to fit high volume operations
- Quality stainless steel construction
- Fully-automatic operation
- Extend the drying space for clean wares and save operator steps
- Easy-to-reach rack storage
- Sloped drain
- Cantilever load table – load racks from the front, offering layout flexibility and saving valuable space

TABLE SYSTEMS

For Rack Conveyor Series
Dishwashing Machines
PRO90, RCT90 and Cantalievered



PRO90
90° Corner
Conveyor Table
(PRO Series rack
machines only)



CCT90
90° Corner
Conveyor Table
(E-Series rack
machines only)



64 RCT Table



Champion Industries, Inc.
3765 Champion Blvd., Winston-Salem, NC 27105
Tel: 800/532-8591 Fax: 336/661-1979
www.championindustries.com

TABLE SYSTEMS

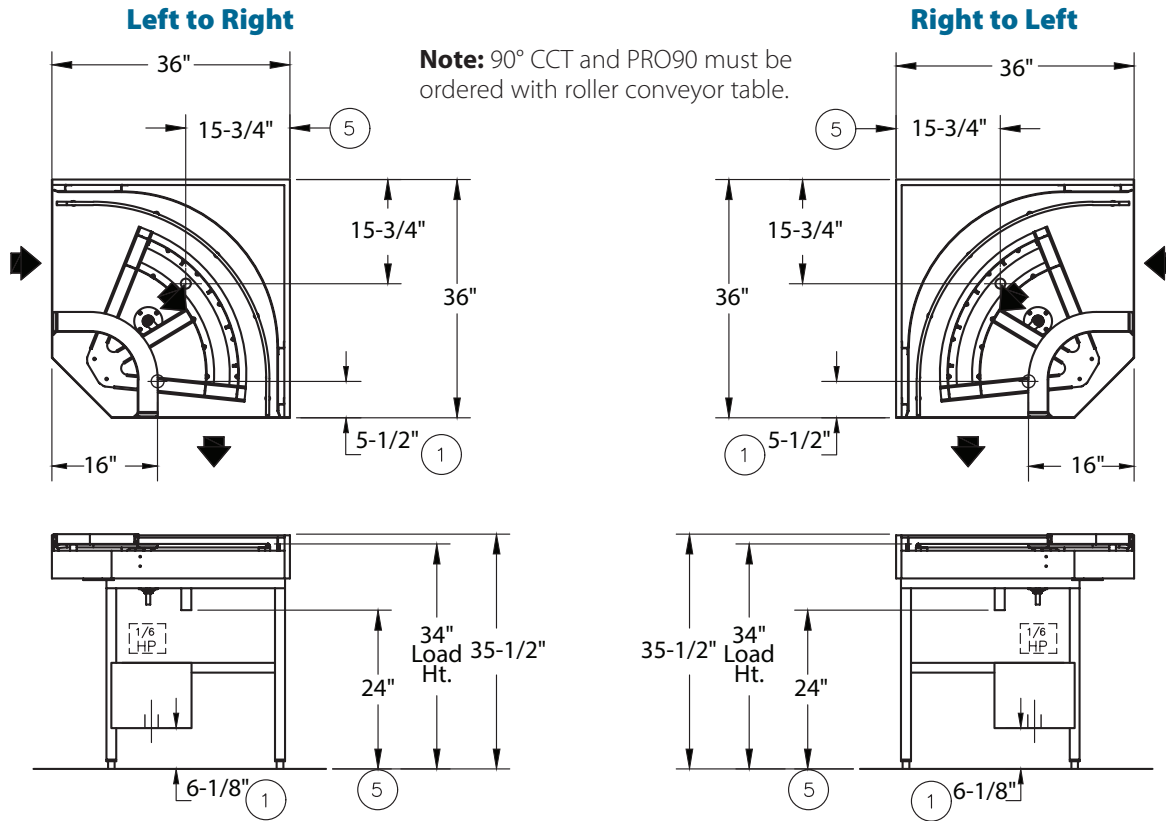
For Rack Conveyor Series
Dishwashing Machines

Champion[®]

The Dishwashing Machine Specialists

PRO90

90° Corner Conveyor Table (PRO Series rack machines only)



CCT90

90° Corner Conveyor Table (E-Series rack machines only)



Note: 90° CCT and PRO90 must be ordered with roller conveyor table.

Due to an ongoing value analysis program at Champion, specifications contained in this catalog are subject to change without notice.

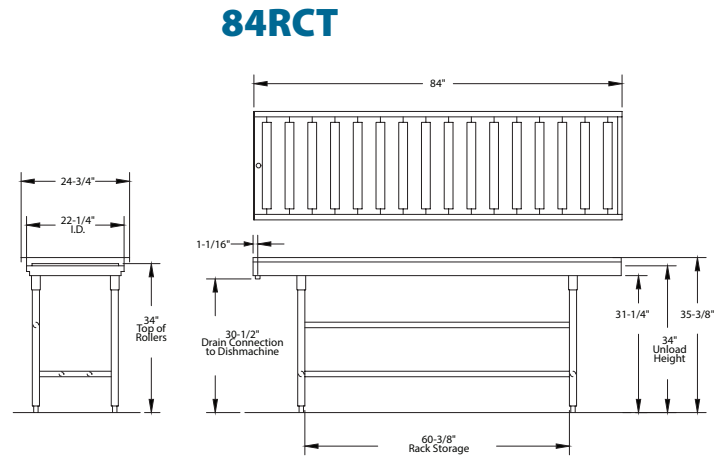
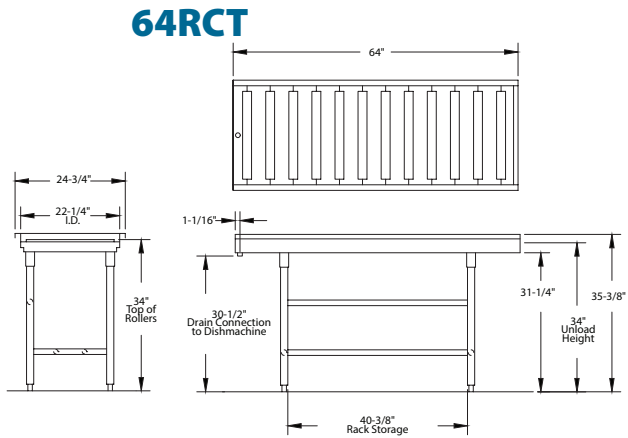
Champion Industries, Inc., 3765 Champion Blvd., Winston-Salem, NC 27105 • 800/532-8591 • Fax: 336/661-1979 • www.championindustries.com
2674 N. Service Road, Jordan Station, Ontario, Canada L0R 1S0 • 905/562-4195 • Fax: 905/562-4618

TABLE SYSTEMS

For Rack Conveyor Series
Dishwashing Machines

Champion®

The Dishwashing Machine Specialists

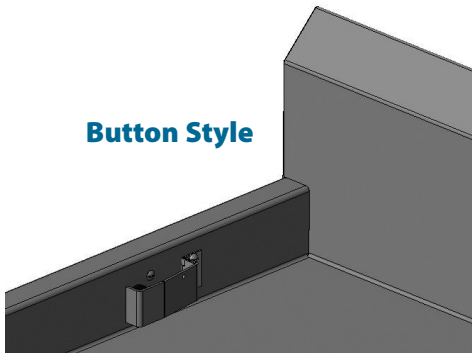


Can be custom-made to order in additional 10" increments. Comes standard with Whisker Style Table Limit Switch (factory installed). Contact factory if planning to use as load end table.

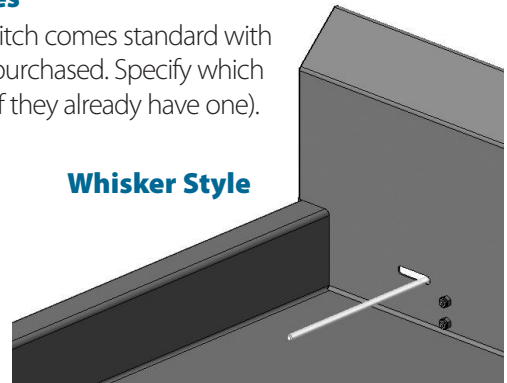
Table Limit Switches

Note: table limit switch comes standard with all rack machines purchased. Specify which style required (or if they already have one).

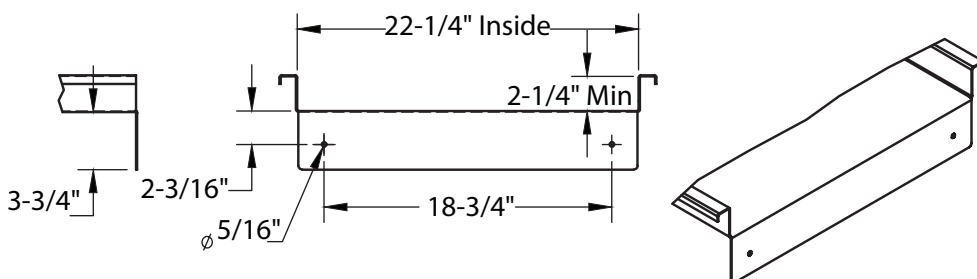
Button Style



Whisker Style



Typical Unload Table Detail for 90° CCT and PRO90 Connections



PRO90

Shipping weight: **300 lbs.**
Volume crated: **107 cu. ft.**

CCT90

Shipping weight: **250 lbs.**
Volume crated: **47 cu. ft.**

64 RCT

Shipping weight: **180 lbs.**
Volume crated: **60 cu. ft.**

84 RCT

Shipping weight: **200 lbs.**
Volume crated: **72 cu. ft.**

Due to an ongoing value analysis program at Champion, specifications contained in this catalog are subject to change without notice.

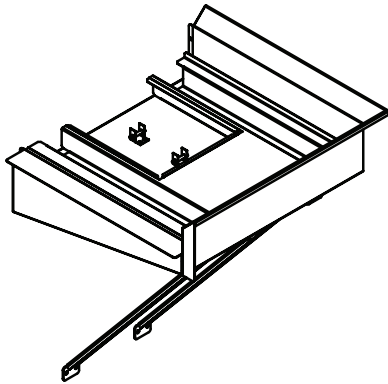
Champion Industries, Inc., 3765 Champion Blvd., Winston-Salem, NC 27105 • 800/532-8591 • Fax: 336/661-1979 • www.championindustries.com
2674 N. Service Road, Jordan Station, Ontario, Canada L0R 1S0 • 905/562-4195 • Fax: 905/562-4618

TABLE SYSTEMS

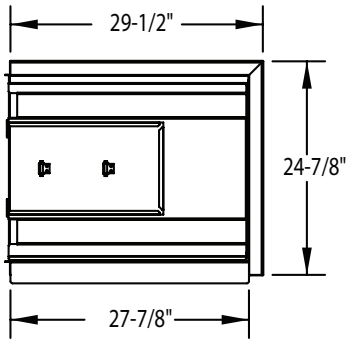
For Rack Conveyor Series
Dishwashing Machines

Champion[®]

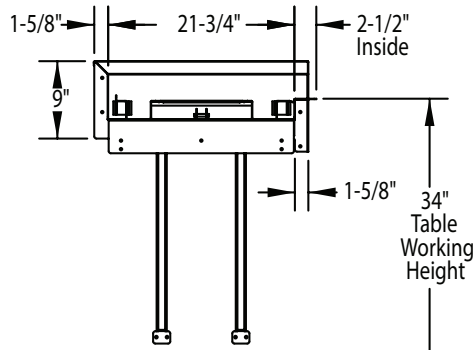
The Dishwashing Machine Specialists



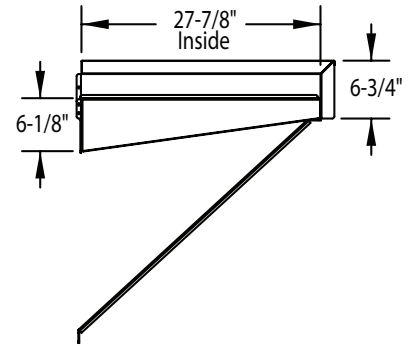
30" Cantilever Sideloader for 20" racks up to 27-7/8" long



Plan View

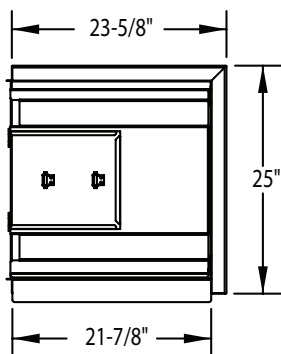


End View

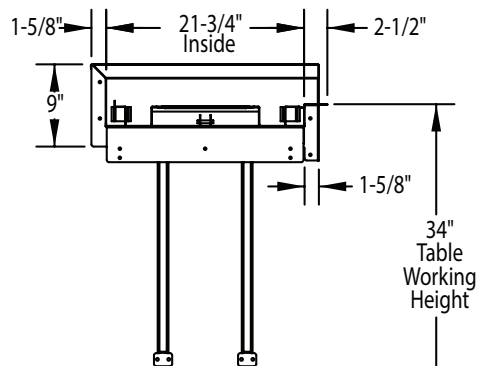


Side View

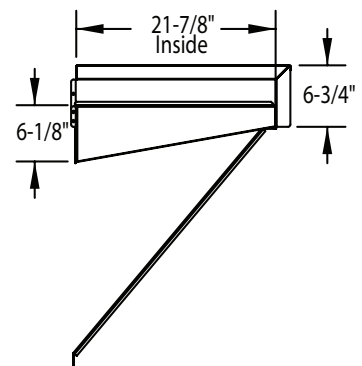
24" Cantilever Sideloader for standard 20" x 20" racks



Plan View



End View



Side View

Champion Industries, Inc.,
 3765 Champion Blvd., NC 27105
 336/661-1556 • Fax: 336/661-1979
 ChampionIndustries.com