

# Spare Parts List for DUC48F

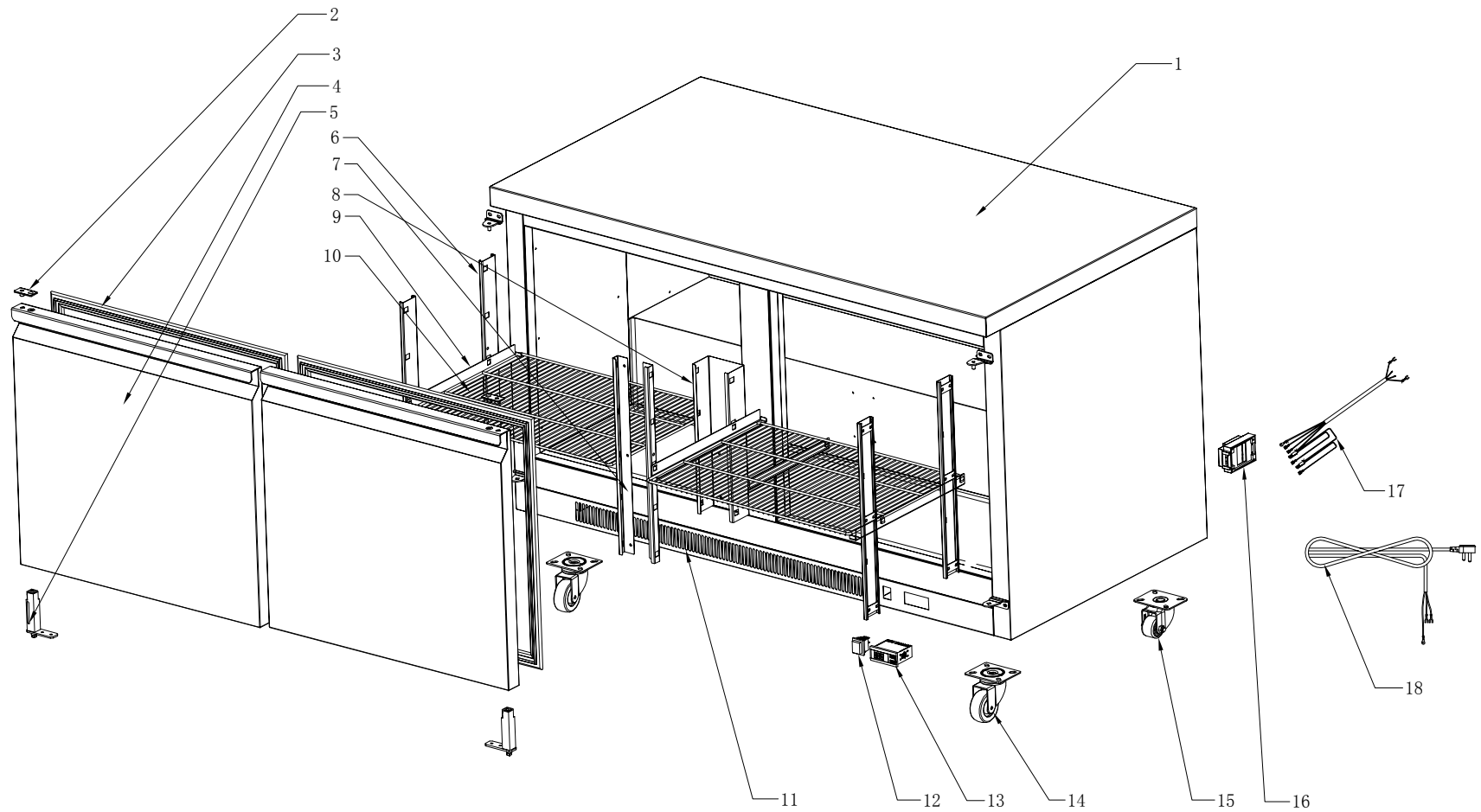
Dukers Appliance Co., USA Ltd.

Compiled

Roy

06-25-2018

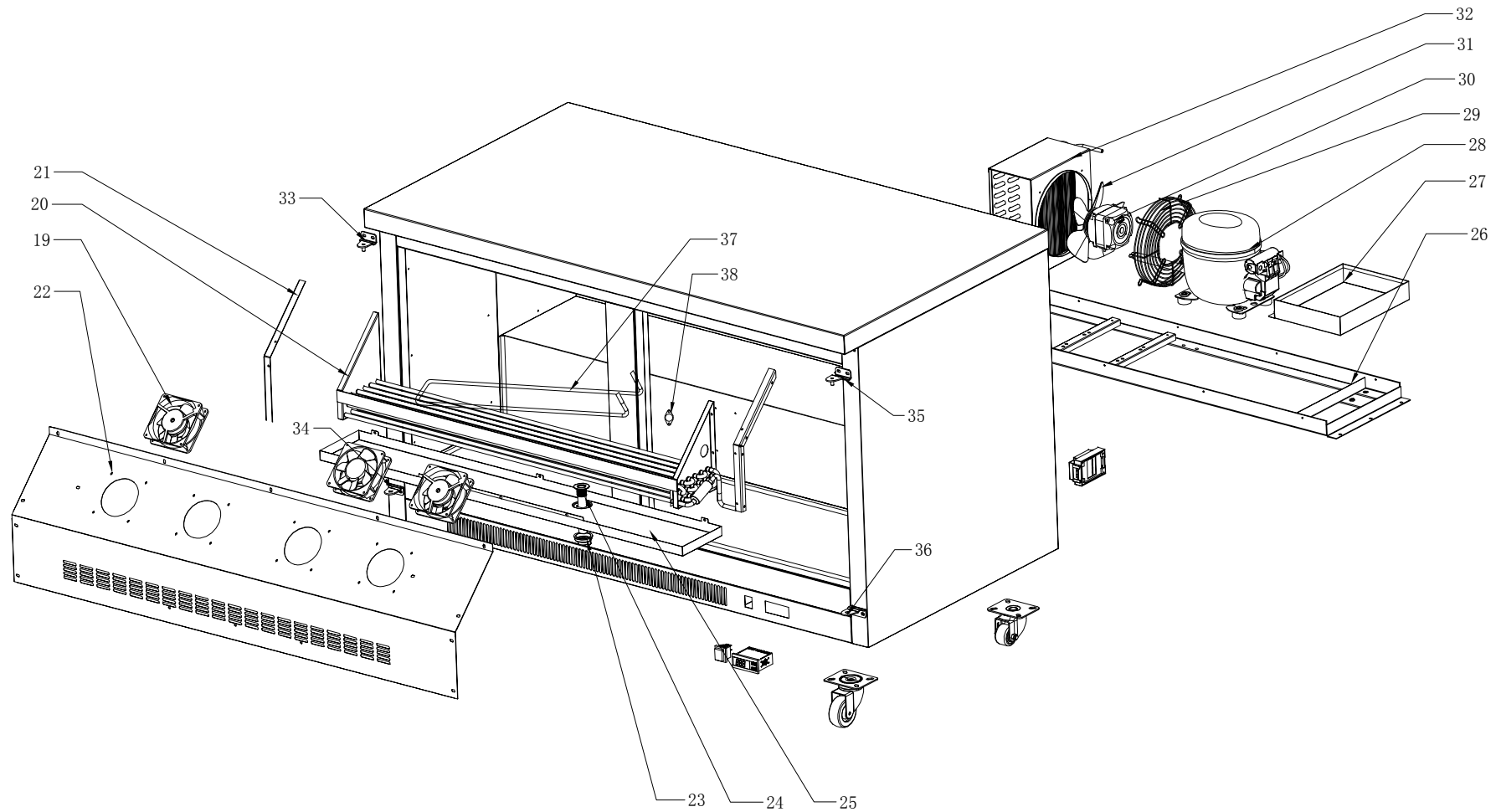
Latest Revision



# Spare Parts List for DUC48F

Dukers Appliance Co., USA Ltd.

Compiled	Roy	06-25-2018
Latest Revision		



# Spare Parts List for DUC48F

Dukers Appliance Co., USA Ltd.

25-Jun

Item No.		Item No.	
1	Foaming cabinet	27	Outer drain pan
2	Door hinge	28	Compressor
3	Door gasket	29	Condenser fan guard grill
4	Foaming door	30	Condenser fan
5	Self-close hinge	31	Fan blade
6	Wall rail, L/R	32	Condenser
7	Wall rail, mid front	33	Hinge, top left
8	Wall rail, mid back	34	Hinge, bottom left
9	Supporter rail	35	Hinge, top right
10	Shelf	36	Hinge, bottom right
11	Control panel	37	Defrost heater
12	Power switch	38	Time relay
13	Digital controller		
14	Casters, 3 inches with brakes		
15	Casters, 2 inches		
16	Junction box, JXH-5P		
17	Inner wiring harness		
18	Lead and plug, NEMA 5-15P		
19	Evaporator fan		
20	Evaporator		
21	Supporter for cover		
22	Cover for evap compartment		
23	Nut of drain tube		
24	Drain tube		
25	Inner drain pan		
26	Compressor base supporter		