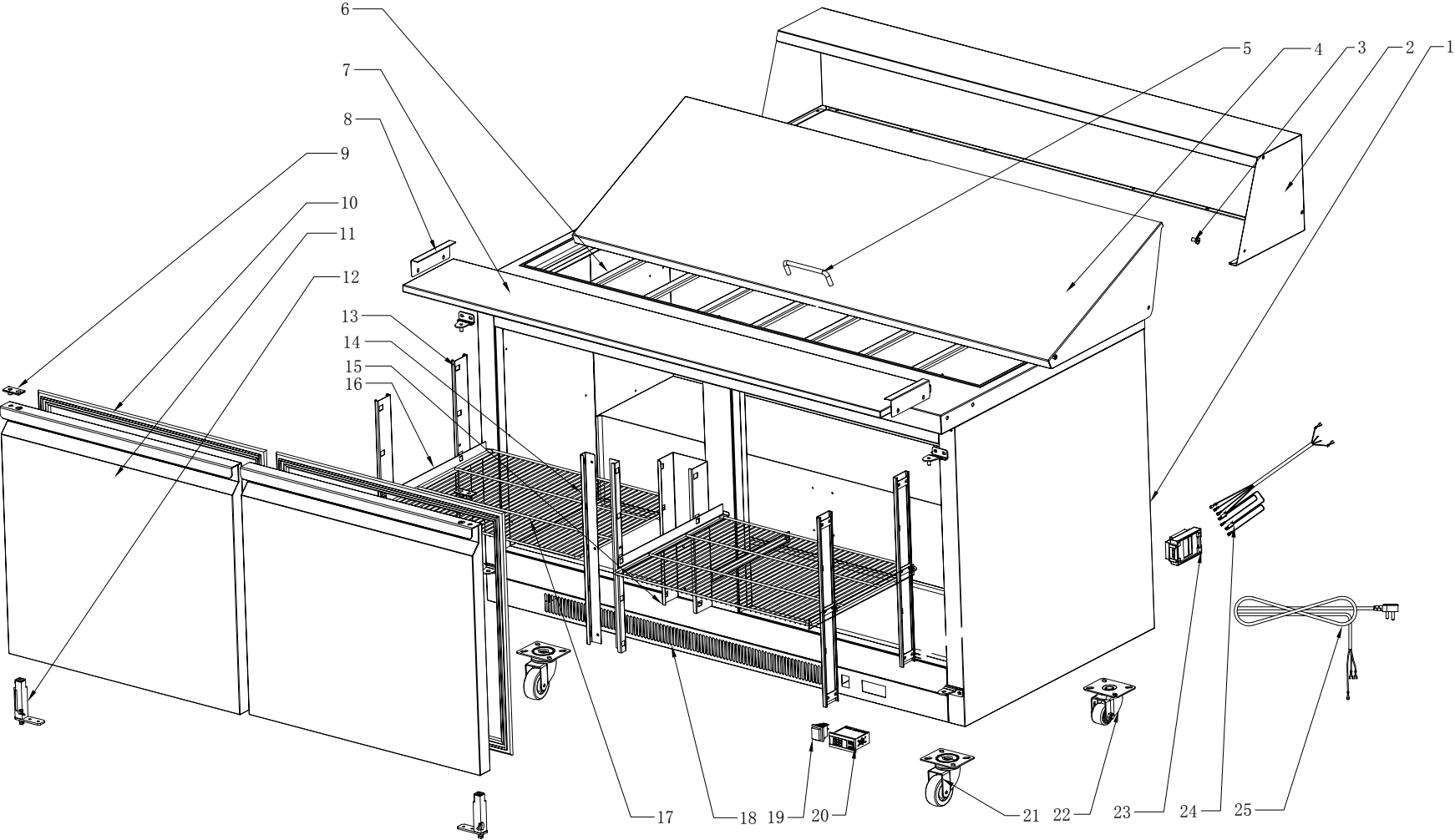


Spare Parts List for DSP48

Dukers Appliance Co., USA Ltd.

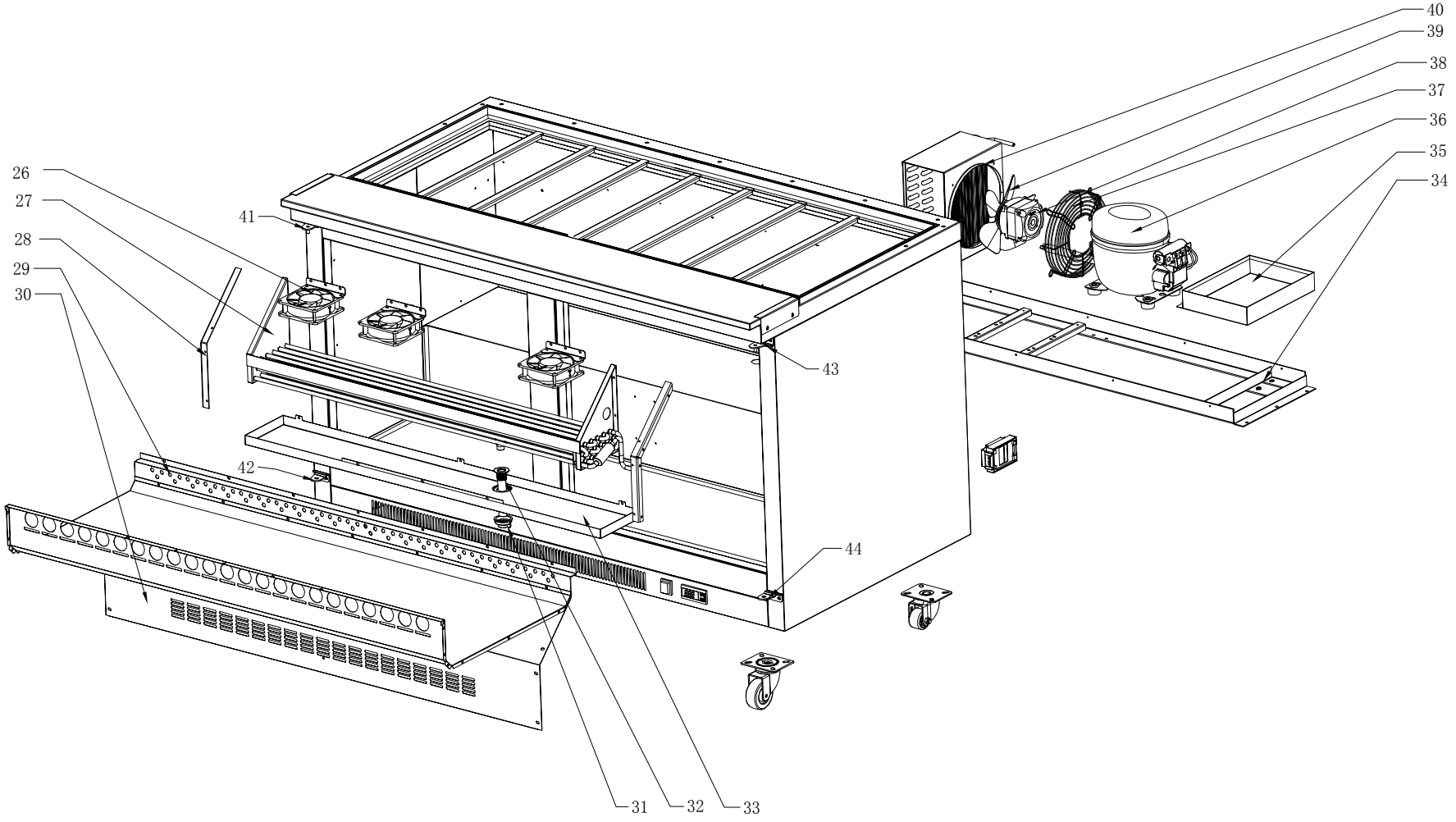
Compiled	Roy	06-25-2018
Latest Revision		



Spare Parts List for DSP48

Dukers Appliance Co., USA Ltd.

Compiled	Roy 06-25-2018
Latest Revision	



Spare Parts List for DSP48

Dukers Appliance Co., USA Ltd.

25-Jun

Item No.		Item No.	
1	Foaming cabinet	27	Evaporator
2	Cover back	28	Supporter for cover
3	Hinge pin for pan cover	29	Pan trough
4	Pan cover	30	Cover for Evaporator compartment
5	Handle of pan cover	31	Nut of drain tube
6	GN pan supporter	32	Drain tube
7	Cutting board	33	Inner drain pan
8	MTG for cutting board	34	Compressor base supporter
9	Door hinge	35	Outer drain pan
10	Door gasket	36	Compressor
11	Foaming door	37	Condenser fan guard grill
12	Self-close hinge	38	Condenser fan
13	Wall rail, L/R	39	Fan blade
14	Wall rail, mid front	40	Condenser
15	Wall rail, mid back	41	Hinge, top left
16	Supporter rail	42	Hinge, bottom left
17	Shelf	43	Hinge, top right
18	Control panel	44	Hinge, bottom right
19	Power switch		
20	Digital controller		
21	Caster, 3 inches w/brakes		
22	Casters, 2 inches		
23	Junction box, JXH-5P		
24	Inner wiring harness		
25	Lead and plug, NEMA 5-15P		
26	Evaporator fan		