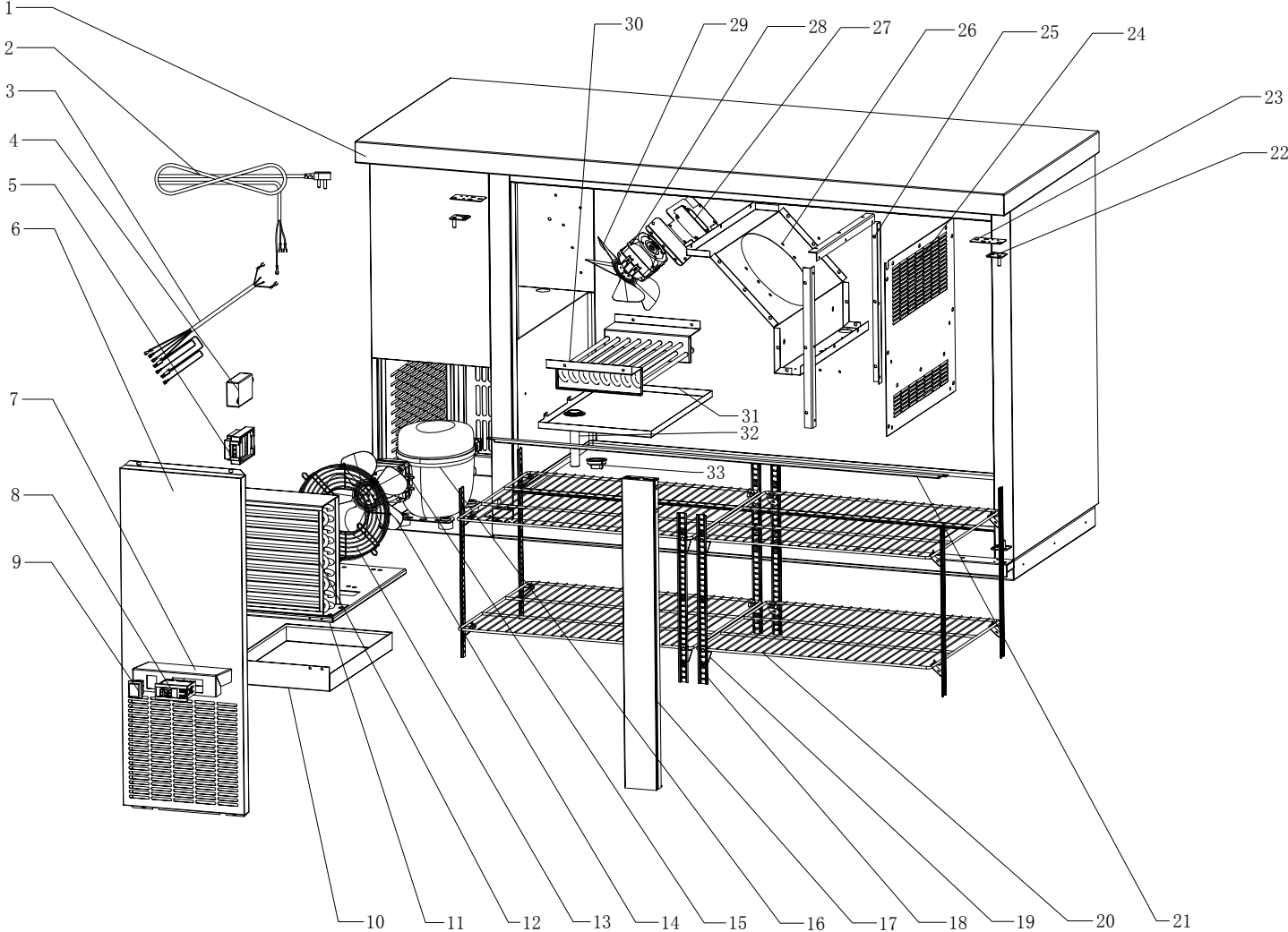


# Spare Parts List for DBB48 / DBB60

Dukers Appliance Co., USA Ltd.

Compiled	Roy	06-27-2018
Latest Revision		

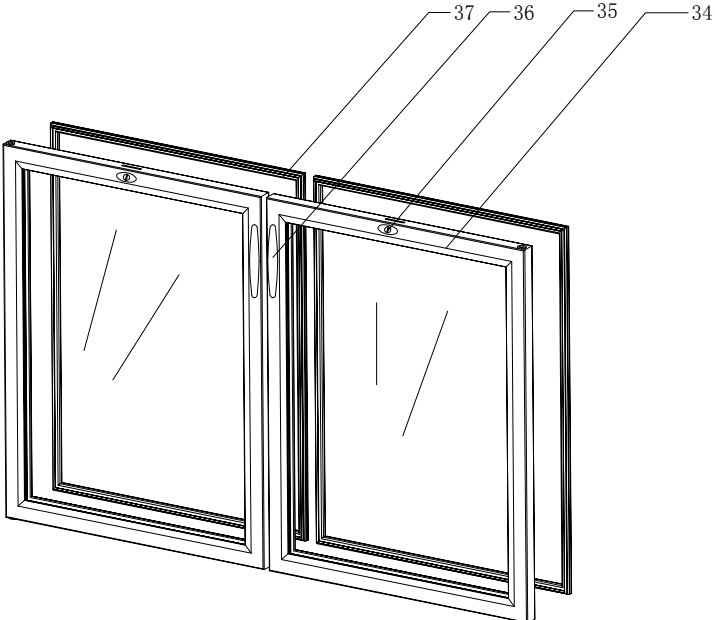


# Spare Parts List for DBB48/DBB60

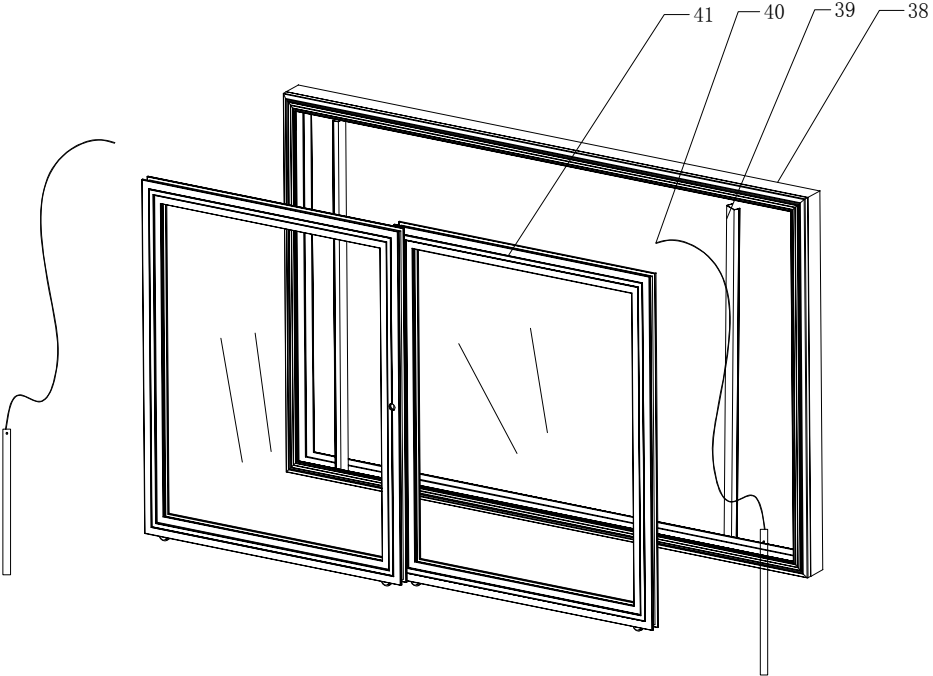
Dukers Appliance Co., USA Ltd.

Compiled	Roy	06-27-2018
Latest Revision		

## Swing Doors for DBB48-H2 / DBB60-H2



## Slide Doors for DBB48-S2 / DBB60-S2



# Spare Parts List for DBB48 / DBB60

## Dukers Appliance Co., USA Ltd.

27-Jun

Item No.		Item No.	
1	Foaming cabinet	27	Evaporator fan bracket
2	Lead and plug, NEMA 5-15P	28	Evaporator fan
3	Inner wiring harness	29	Fan blade
4	Power switch	30	Evaporator
5	Junction box, JXH-5P	31	Inner drain pan
6	Control panel	32	Drain tube
7	Waterproof cover	33	Drain tube nut
8	Digital controller	34	Swing door (glass)
9	Power switch	35	Lock
10	Outer drain pan	36	Door handle
11	Compressor base plate	37	Door gasket
12	Condenser	38	Door frame
13	Condenser fan guard grill	39	Heaver punch cover
14	Fan blade	40	Heaver punch
15	Condenser fan	41	Swing door
16	Compressor		
17	Middle beam		
18	K strip		
19	K clip		
20	Shelf		
21	LED light		
22	Door hinge		
23	Door hinge supporter		
24	Cover for evaporator compartment		
25	Supporter for cover		
26	Air duct		