



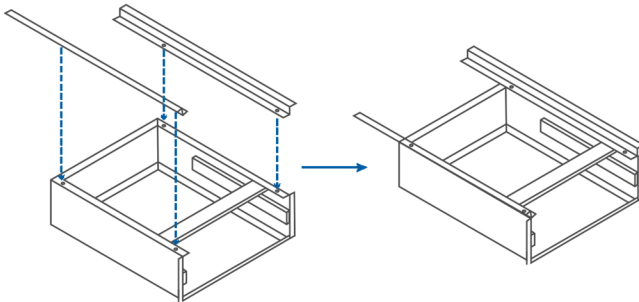
PROJECT

ITEM NO: \_\_\_\_\_

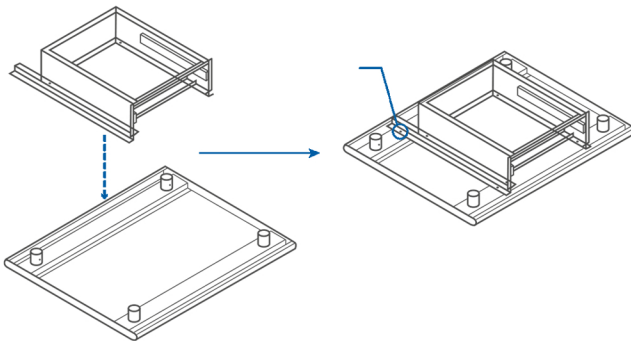
QUANTITY: \_\_\_\_\_

## Stainless Steel Drawers

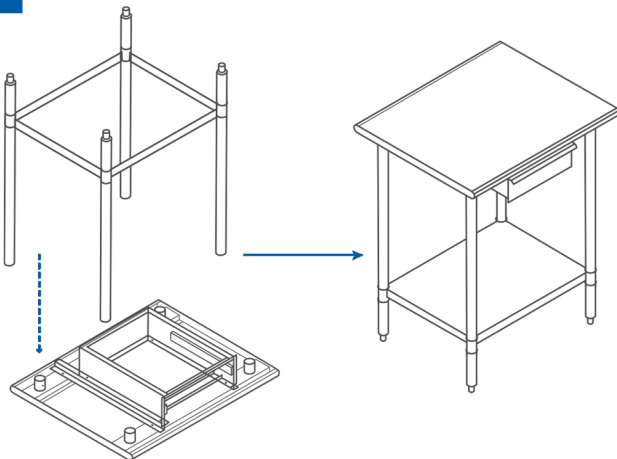
**1** Attach "Z" clip to drawer frame with screws.



**2** Drill holes on the hat channel and then attach the "Z" clip to the hat channel with screws.



**4** Attach the top shelf to the table undershelf and legs.



**DO NOT** ATTEMPT TO  
INSTALL DRAWER WITHOUT  
DISASSEMBLING TABLE FIRST.

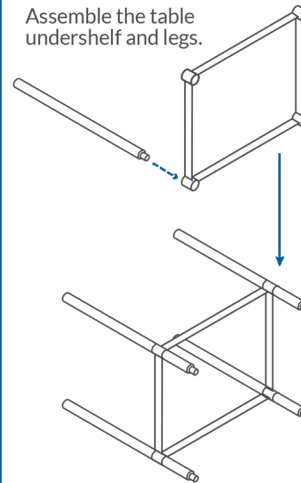


NSF Certified



### 3 (Optional)

Assemble the table  
undershelf and legs.



SAPPHIRE MANUFACTURING  
Tel: 718-543-2111  
Fax: 718-543-2121

info@sapphiremanufacturing.com  
WWW.SAPPHIREMANUFACTURING.COM