

GCTS-16 WITH SD-30-16S STAND

□ SD-30-12G



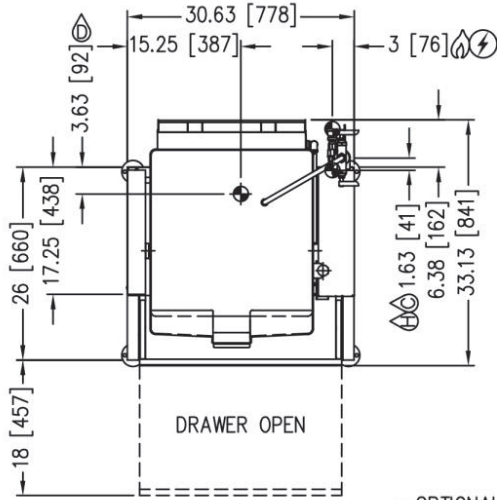
STANDARD CONSTRUCTION SPECIFICATIONS

A Crown model GCTS-16 skillet with optional SD-30-16S open type equipment stand with drawer.

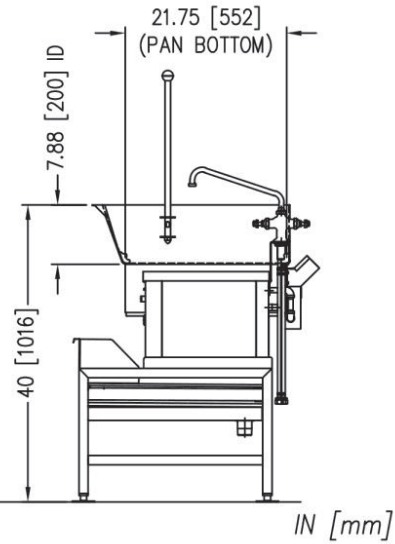
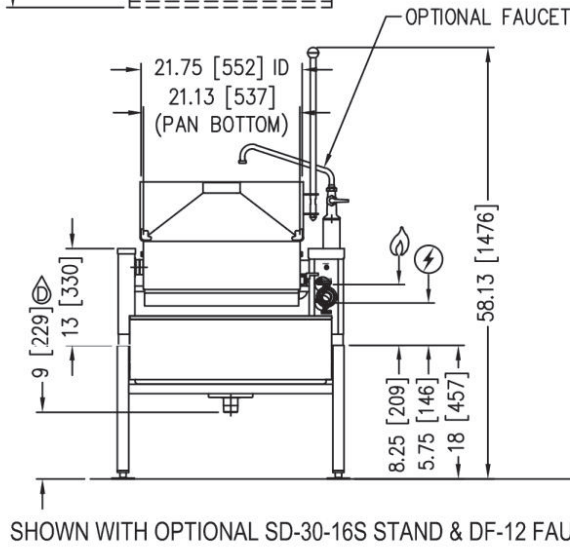
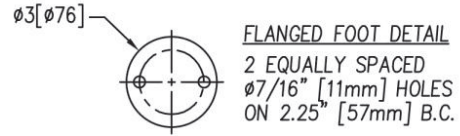
All stainless steel construction 1-1/2" square tubular frame with four (4) adjustable flanged feet to floor anchor and removable drain drawer with roller action slides, high front splash shield, removable splash diffusing drawer bottom for added splash control and stationary drain connection.



Approval Notes: _____



DIMENSIONS ARE IN INCHES [MM]



8402R0

SERVICE CONNECTIONS

- ⚡ _ Unless otherwise specified unit is furnished with 6' cord with 3 prong plug for use at 120 Volts, 60 Hz, single phase, maximum 2 Amps.
- 🔥 - GAS CONNECTION: 3/4" IPS
- 🌡️ - COLD WATER: 3/8" O.D. tubing to optional faucet
- 🔥 - HOT WATER: 3/8" O.D. tubing to optional faucet
- 🚰 - DRAIN: 1-1/2" - 11-1/2" NPT (OPTIONAL)

SPECIFICATIONS

MODEL	GAS SUPPLY			MODEL	SHIPPING WEIGHT	MINIMUM CLEARANCE *	
	BTU/HR	kW/HR	Supply Pipe Pressure (W.C)				
GCTS-16	63,000	18.5	Natural 6" - 14" (152 mm - 356 mm)	SD-30-16S	55 lbs. [25 kg]	Sides	3 [76]
			Propane 11" - 14" (279 mm - 356 mm)			Back	8 [203]

**INTENDED FOR COMMERCIAL USE ONLY.
 NOT FOR HOUSEHOLD USE.**

