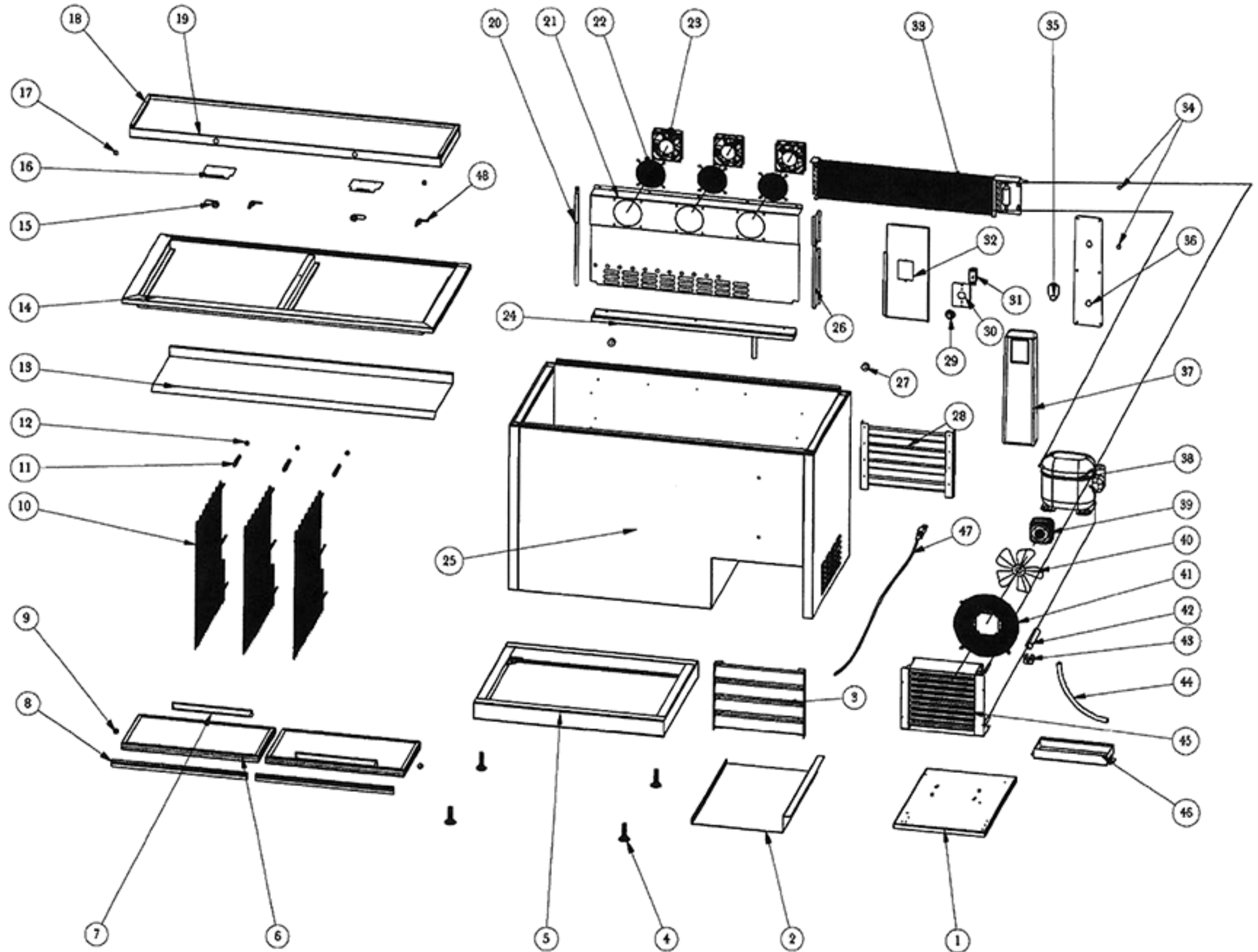
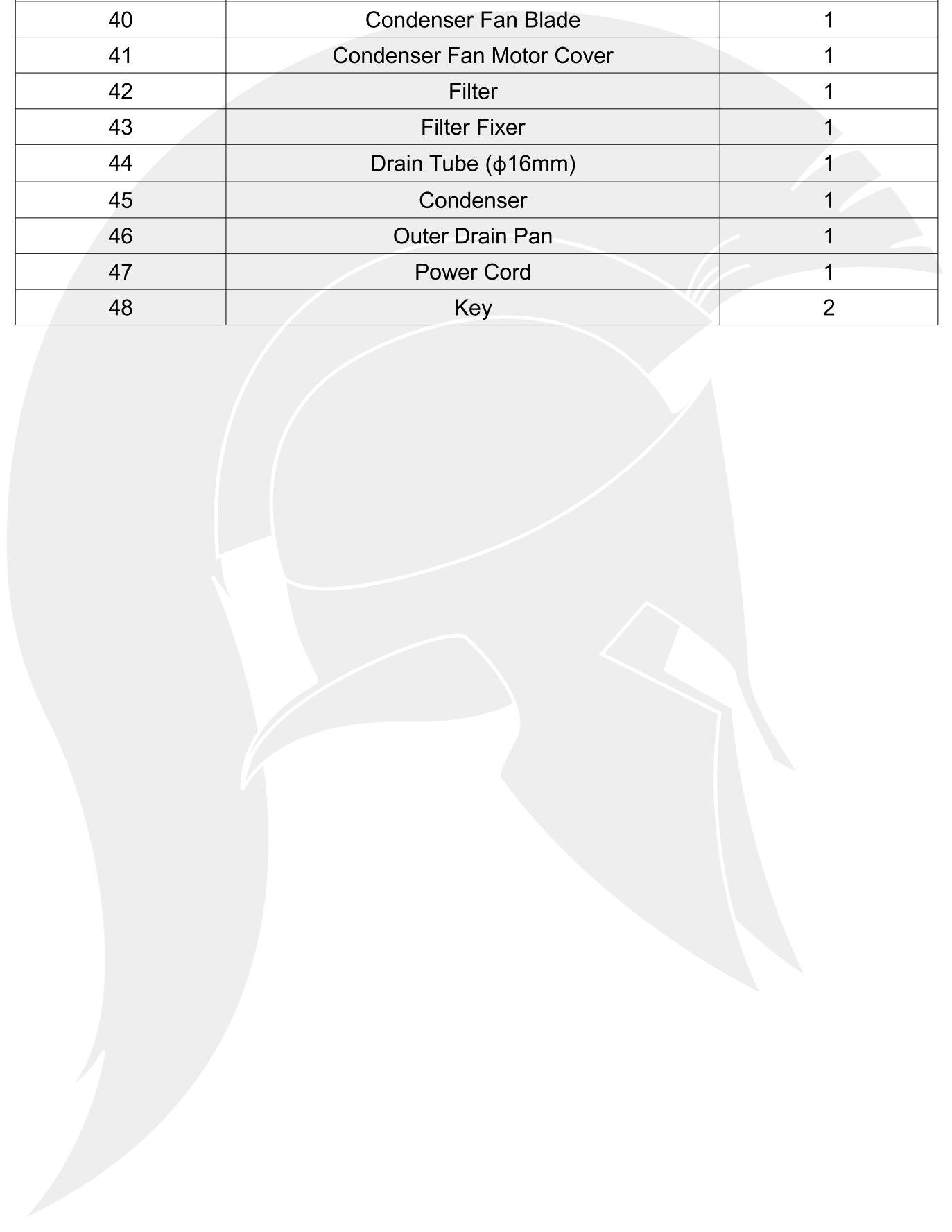


# SBC-65



<b>Part #</b>	<b>Part Name</b>	<b>Part Qty</b>
1	Compressor Unit Installation Board	1
2	Base Board	1
3	Front Grill	1
4	Adjust Feet	4
5	Cabinet Base	1
6	Door	2
7	Door Handle	2
8	Door Gasket	2
9	Door Limit Block	2
10	Shelf	3
11	Shelf Spring	6
12	Shelf Cap	6
13	Panel Under Table	1
14	Under Table Component	1
15	Lock	2
16	Base Board for Lock	2
17	Decoration Cover	2
18	Decoration Strip	1
19	Top Board	1
20	Left Support for Evaporator Cover	1
21	Evaporator Cover	1
22	Evaporator Fan Motor Cover	2 & 3
23	Evaporator Fan Motor	2 & 3
24	Inner Drain Pan	1
25	Cabinet	1
26	Right Support for Evaporator Cover	1
27	Back Limit Block	2
28	Back Grill	1
29	Controller Knob	1
30	Controller Panel	1
31	Mechanical Controller	1
32	Electrical Installation Board	1
33	Evaporator	1
34	Screw for Bottle Opener Component	2
35	Bottle Opener	1
36	Bottle Opener Board	1
37	Bottle Opener Cover	1



38	Compressor	1
39	Condenser Fan Motor	1
40	Condenser Fan Blade	1
41	Condenser Fan Motor Cover	1
42	Filter	1
43	Filter Fixer	1
44	Drain Tube (φ16mm)	1
45	Condenser	1
46	Outer Drain Pan	1
47	Power Cord	1
48	Key	2

# TECHNICAL DATA

## Dimensions

Exterior Dimensions (WxDxH)	64.5" x 26.5" x 34"
Interior Dimensions (WxDxH)	60.5" x 20" x 25.5"
Net Volume (cu. ft.)	18 cu. ft.
Gross Weight	254 lbs
Packaging Dimensions (WxDxH)	69.5" x 32.5" x 42.5"
Electrical Cord Length	98.5"
Cases of Beer	24

## Cooling

Temperature Range	33° - 40° F
Refrigerant	R290
Maximum Ambient Temperature Rating	90° F
Defrosting	Automatic
Cooling System	Ventilated
Temperature Display	No
Temperature Controller	Mechanical
H/P	1/3

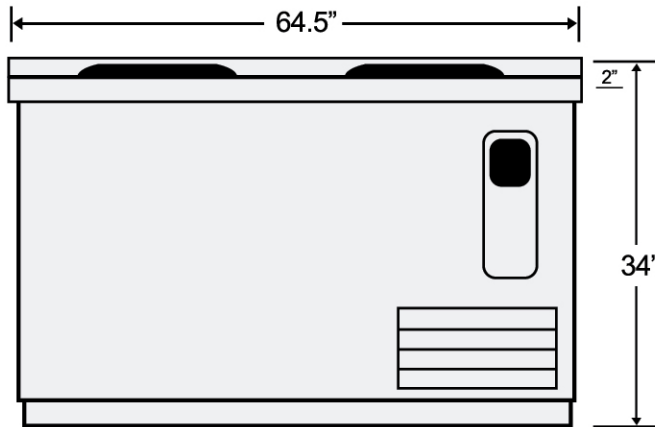
## Construction

Exterior Material	Painted Steel
Insulation Material	Foamed in place polyurethane
Shelf Material	Plastic coated steel
Shelf Load Capacity	132 lbs

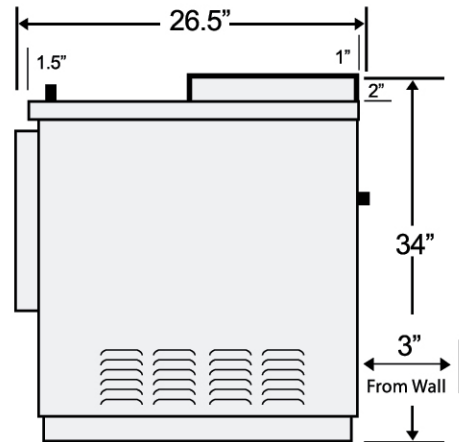
## Electrical

Voltage	115
Amps	8.5
Hz	60

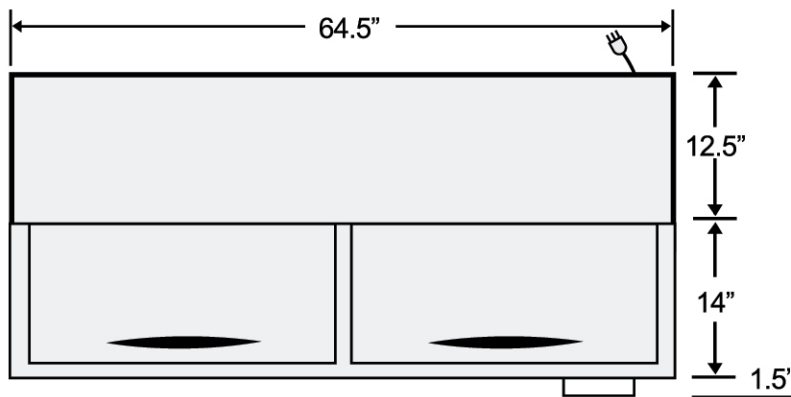
## PLAN VIEW



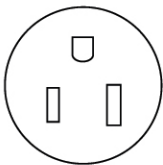
Front View



Side View



Top View



NEMA 5-15