

GS-(30,40) SKILLET WITH SLIDING DRAIN PAN (S-SDP-2)

 GS-30 with S-SDP-2

 GS-40 with S-SDP-2


S-SDP-2

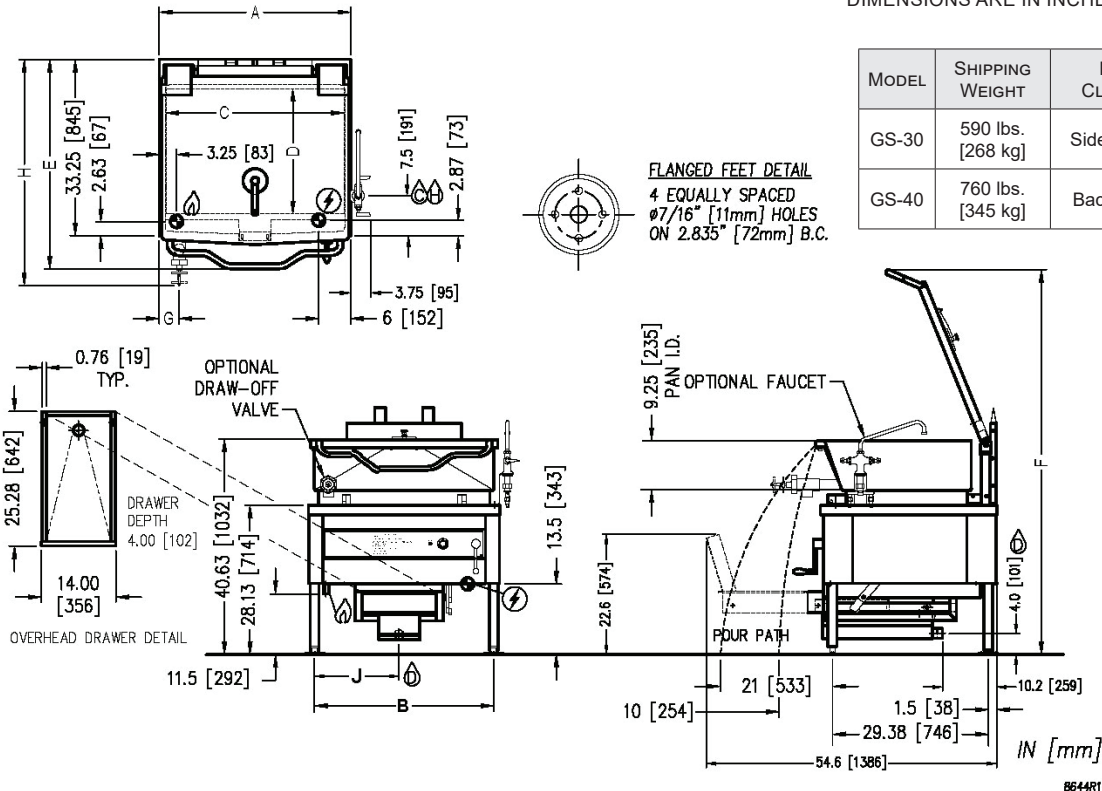
STANDARD CONSTRUCTION SPECIFICATIONS

Crown model GS-(30,40) skillet with optional sliding drain pan (S-SDP-2). All stainless steel construction 1-1/4" square tubular frame, removable drain drawer with roller action slides, high front flip up splash shield, removable splash diffusing drawer bottom for added splash control and stationary drain connection.



Approval Notes: _____

DIMENSIONS ARE IN INCHES [MM]



MODEL	SHIPPING WEIGHT	MINIMUM CLEARANCE *	
		Sides	0
GS-30	590 lbs. [268 kg]	Sides	0
GS-40	760 lbs. [345 kg]	Back	6 [152]

SERVICE CONNECTIONS

- ⚡ – Unless otherwise specified unit is furnished with 6' cord with 3 prong plug for use at 120 Volts, 60 Hz, single phase, maximum 2 Amps.
- 🔥 – GAS CONNECTION: 3/4" IPS
- Ⓒ – COLD WATER: 3/8" O.D. tubing to optional faucet
- Ⓓ – HOT WATER: 3/8" O.D. tubing to optional faucet
- Ⓔ – DRAIN: 1-1/2" - 11-1/2" NPT (OPTIONAL)

DIMENSIONS

MODEL	CAPACITY	A	B	C	D	E	F	G	H		J
									Ø2	Ø3	
GS-30	30 Gallons (114 liters)	36" (914)	33.63" (854)	33.5" (851)	23.5" (597)	39.5" (1003)	72.38" (1838)	3.75" (95)	42.63 (1083)	46.5 (1181)	15.9 (404)
GS-40	40 Gallons (152 liters)	48" (1219)	45.63" (1159)	43.5" (1105)	23" (584)	39.88" (1000)	71.88" (1826)	4.75" (121)	42.63 (1083)	46.5 (1181)	22.8 (580)

UTILITY INFORMATION

MODEL	GAS SUPPLY		
	BTU/HR	KW/HR	Supply Pipe Pressure (W.C)
GS-30	100,000	29.3	Natural 6" - 14" (152 mm - 356 mm)
GS-40	125,000	36.6	
			Propane 11" - 14" (279 mm - 356 mm)

**INTENDED FOR COMMERCIAL USE ONLY.
NOT FOR HOUSEHOLD USE.**

