

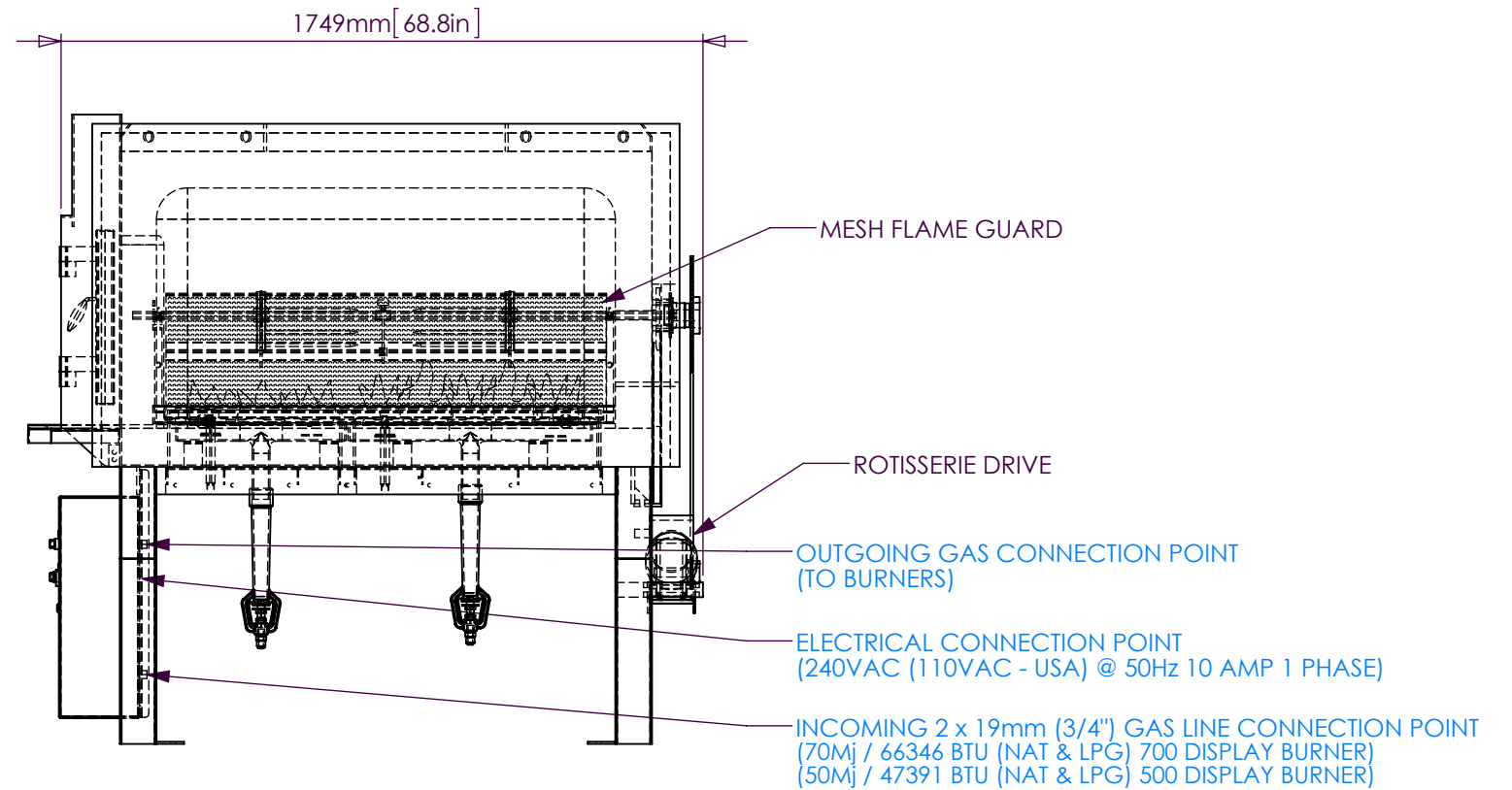
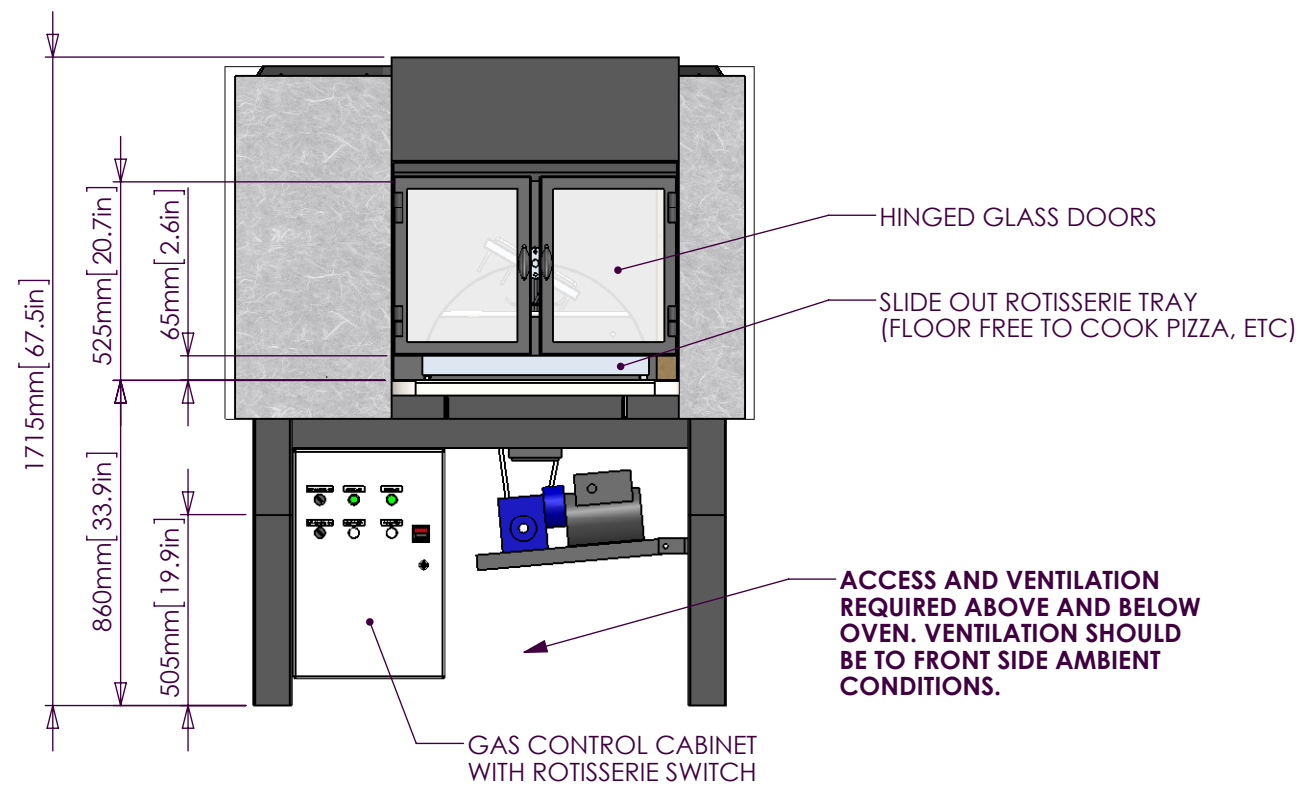
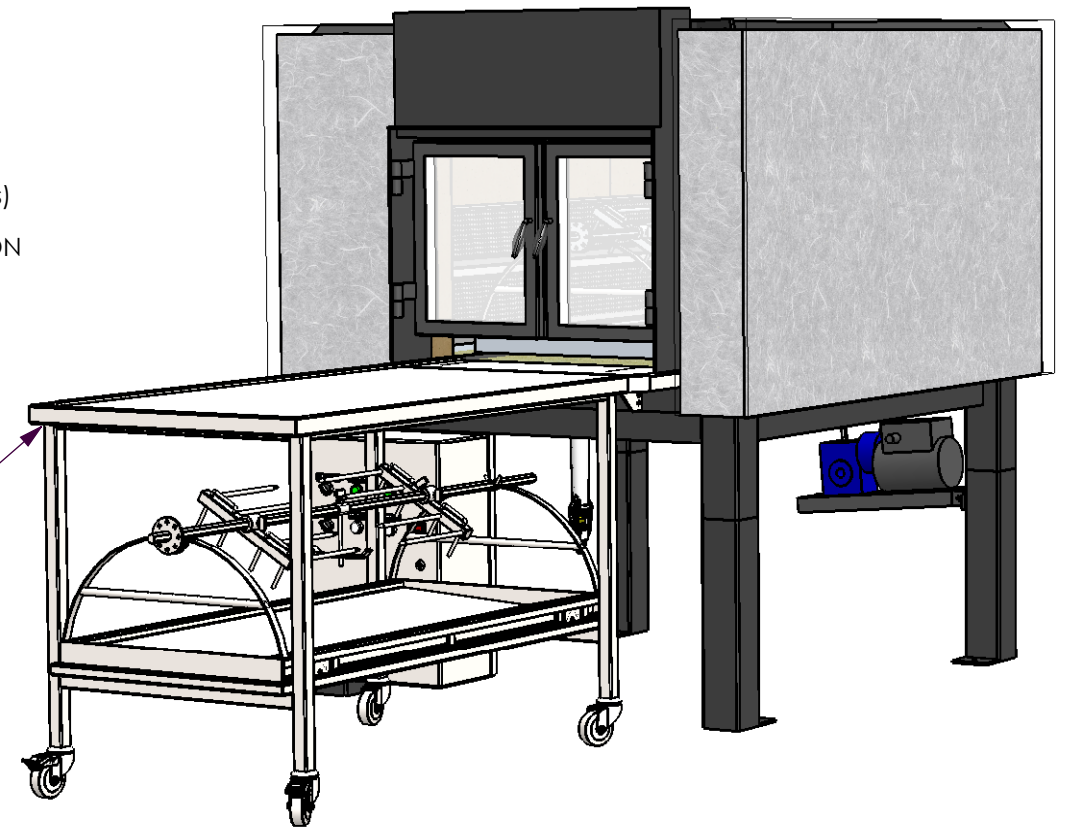
NOTES:
CONNECTION TO APPROVED FLUE/DUCTING REQUIRED
(CHECK LOCAL CODES AND REGULATIONS)

SERVICES REQUIRED - SEE BLUE TEXT

THE OVEN IS DELIVERED IN THREE (3) SECTIONS:
UPPER SECTION - Approx 1000kg (2200lbs)
BASE SECTION - Approx 650kg (1430lbs)
LEGS - Approx 10kg (22lbs) EACH

TOTAL PACKED WEIGHT = Approx 2200kg (4840lbs)

FOR INSTALLATION INSTRUCTIONS SEE INSTALLATION AND OPERATION MANUAL

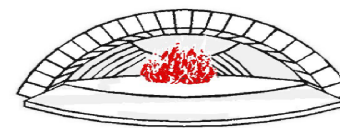


Drawn S Trood Checked Scale 1:20 Date 12/12/2011

ROTISSERIE OVEN - LARGE
FULL GAS - 2 X DISPLAY BURNERS
1250mm (49") DEEP - SS HEARTH

NTS - SITE MEASURE
A3

ROTISSL-2000 - DETAILS



BEECH OVENS
Australia
(617) 3397 0277

Drawn	S Trood	Checked	Scale	1:20	Date	12/12/2011
-------	---------	---------	-------	------	------	------------

REV.	0	ISSUED FOR CONSTRUCTION	DATE	CHANGED BY
------	---	-------------------------	------	------------

LAST EDITED: Monday, 12 December 2011 6:02:50 PM

©Copyright 2006 Beech Ovens Pty Ltd. All rights reserved.