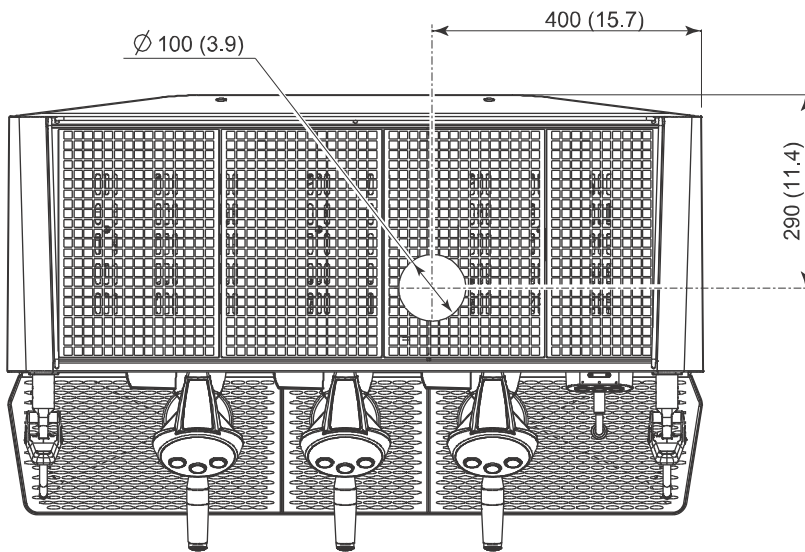
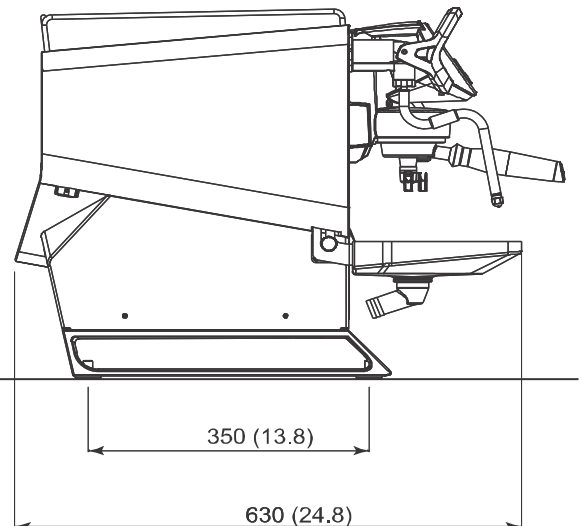
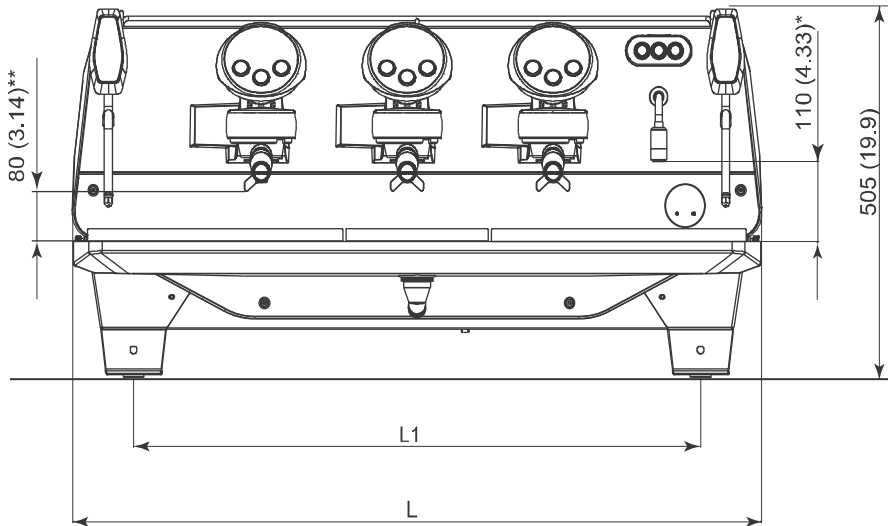


President



** pos.1= 80 (3.14)
pos.2= 115 (4.5)
pos.3= 140 (5.5)

* pos.1= 110 (4.33)
pos.2= 145 (5.7)
pos.3= 170 (6.7)

DIMENSIONS				
		2 gr.	3 gr.	4 gr.
L	mm	820	1040	1260
	inches	32.2	41	49.6
L1	mm	635	855	1075
	inches	25	33.6	42.3
Net Weight	Kg	73	90	113
	pounds	161	198	249

MACHINE	POWER SUPPLY	INSTALLED POWER	LINE POWER	SUPPLY CABLE SECTION
2 GR.	380-415V3N 50/60Hz	4,2-5,0 kW	7A	5x1,5 mm ² or 5x2,5 mm ²
	220-240V3 50/60Hz		12A	4x2,5 mm ²
	220-240V 50/60Hz	4,2-5,0 kW or 3,0-3,6 kW	20A (power reduced 14A)	3x4 mm ² or 3x6 mm ²
3 GR.	380-415V3N 50/60Hz	6,2-7,2 kW	10A	5x1,5 mm ² or 5x2,5 mm ²
	220-240V3 50/60Hz		22A	4x2,5 mm ²
	220-240V 50/60Hz		30A	3x6 mm ²
4 GR.	380-415V3N 50/60Hz	6,2-7,2 kW	10A	5x1,5 mm ² or 5x2,5 mm ²
	220-240V3 50/60Hz		22A	4x2,5 mm ²
	220-240V 50/60Hz		30A	3x6 mm ²

INTERRUTTORE - Omnipolare con distanza di apertura contatti 3mm
- Protezione da corrente di dispersione con valore pari a 30 mA

MESSA A TERRA - Obbligatoria

ALLACCIAMENTO IDRAULICO - Ø 3/8 gas

PRESSIONE DI ALIMENTAZIONE IDRAULICA - 0-6 bar

SCARICO IDRAULICO - Ø min. 50mm

SWITCH - Omnipolar, 3mm opening contact distance
- Protection from leakage current with a value equal to 30mA

GROUNDING - Required
- Ø 3/8 gas

HYDRAULIC CONNECTION

HYDRAULIC FEEDING PRESSURE - 0 + 6 bar (0.6 MPa)

WATER DISCHARGE - Ø min. 50mm