



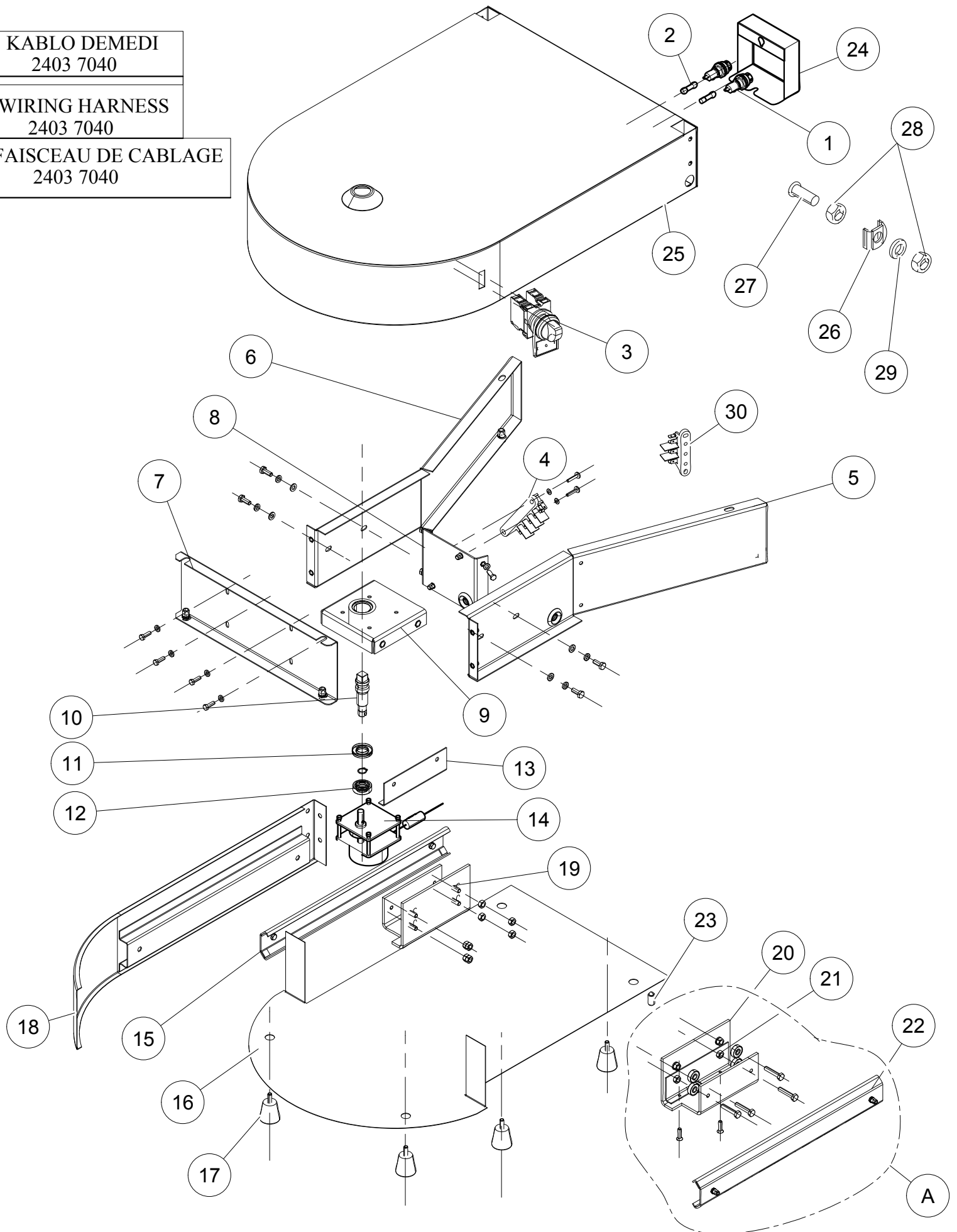
SERVİS MANUEL /SERVICE MANUEL
GAZLI DONER OCAGI
DONER KEBAB MACHINE GAS

MODEL NO PDG 300-400-500N
TARİH/DATE 17.04.2018
REV 2/NSF
SAYFA /PAGE 2/12

C HAZIR KOMPLE / DEVICE FULL

NO	PARÇA NO PART NO	PARÇA ADI	PART NAME	ADET / PCS		
				PDG 300 N	PDG 400N	PDG 500 N
1	3825 5001	DONER OCAGI SERAN CAMLI	DONER KEBAP OVEN WITH SERAN GLASS			1
	3825 4001	DONER OCAGI SERAN CAMLI	DONER KEBAP OVEN WITH SERAN GLASS		1	
	3825 3001	DONER OCAGI SERAN CAMLI	DONER KEBAP OVEN WITH SERAN GLASS	1		
2	2401 0800	ALT GRUP KOMPLE	BOTTOM GROUP FULL	1	1	1
3	---	ÜST GÖVDE SAÇLAR	UPPER BODY PLATES	1	1	1
4	---	GAZ TERT BATI	GAS ARRANGEMENT	1	1	1
5	---	KOMPLE	SKEWER FULL	1	1	1
6	----	DI SAÇLAR	OUTER PLATES	1	1	1
7	---	KÜREK KOMPLE	SHOVEL FULL	1	1	1

KABLO DEMEDI
 2403 7040
 WIRING HARNESS
 2403 7040
 FAISCEAU DE CABLAGE
 2403 7040





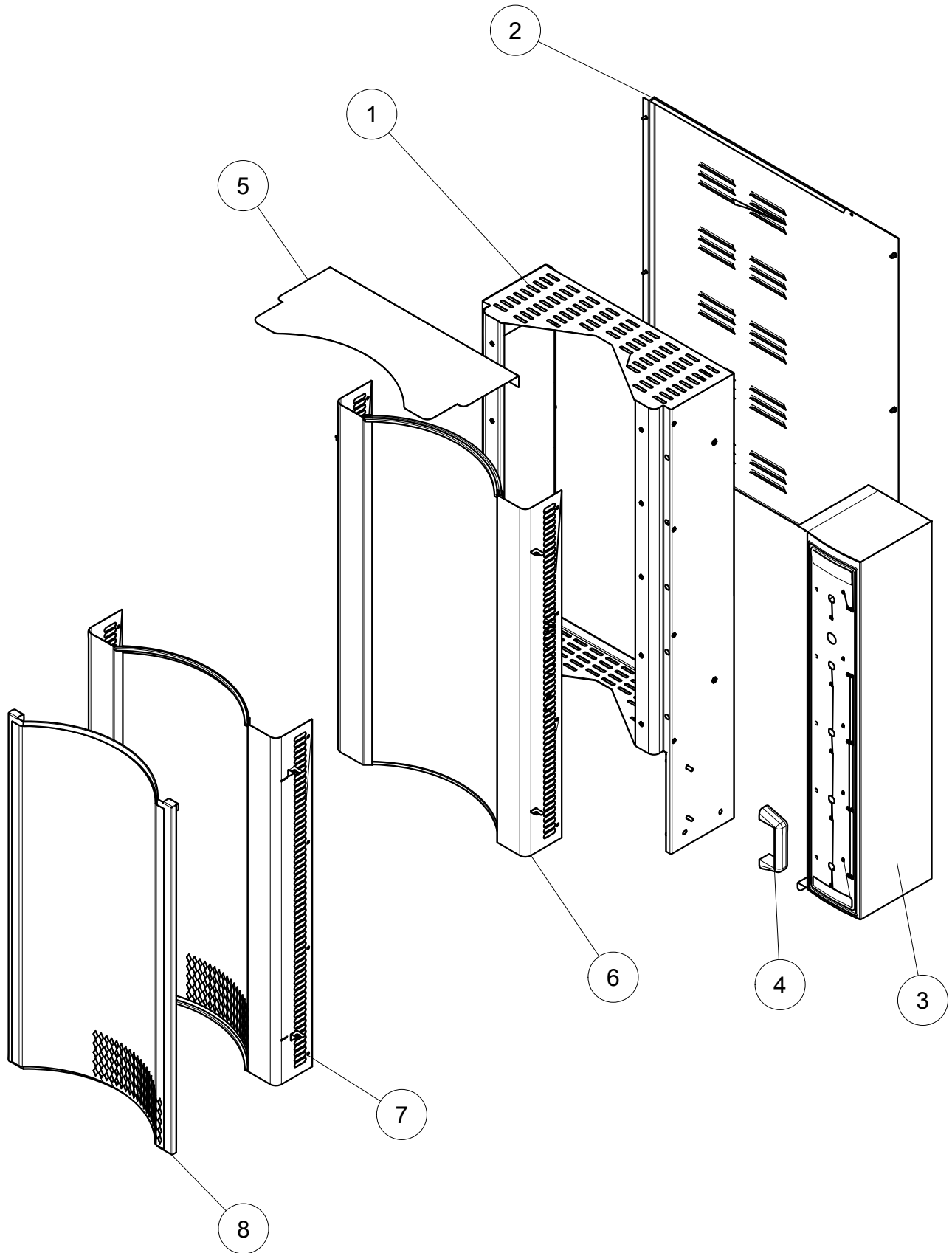
SERVİS MANUEL /SERVICE MANUEL
GAZLI DONER OCAGI
DONER KEBAB MACHINE GAS

MODEL NO
TARİH/DATE
REV
SAYFA /PAGE

PDG 300-400-500N
17.04.2018
2/NSF
4/12

ALT GÖVDE KOMPLE / BOTTOM BODY FULL

NO	PARÇA NO PART NO	PARÇA ADI	PART NAME	ADET PCS		
				PDG 300N	PDG 400N	PDG 500N
1	1015 0007	S GORTA YUVASI	FUSE HOLDER	2	2	2
2	1015 0006	CAM S GORTA	GLASS FUSE	2	2	2
3	1001 0224	ANAHTAR M22-WRK3/K20	SWITCH M22-WRK3/K20	1	1	1
4	1004 0025	KLEMENS 5'L BLOK TERM NAL	CONNECTOR 5-WAY BLOCK TERMINAL	1	1	1
5	2401 0812	ALT GÖVDE DESTEK SACI YAN SA	LOWER BODY SUPPORT PLATE RIGHT-SIDE	1	1	1
6	2401 0813	ALT GÖVDE DESTEK SACI YAN SOL	LOWER BODY SUPPORT PLATE LEFT-SIDE	1	1	1
7	2401 0332	ALT GÖVDE DESTEK SACI	LOWER BODY SUPPORT PLATE	1	1	1
8	2401 0341	ALT GÖVDE DESTEK SACI KOMP. ARKA	LOWER BODY SUPPORT PLATE FULL BACK	1	1	1
9	2402 0320	MOTOR BA LANTI SACI KOMPLE	ENGINE CONNECTION PLATE FULL	1	1	1
10	2402 3042	MOTOR M L UZATMA PARÇASI	ENGINE SHAFT EXTENSION PART	1	1	1
11	1404 0020	RULMAN 51103 2Z URB	BEARING 51103 2Z URB	1	1	1
12	1404 0003	RULMAN 6001 2Z ORS	BEARING 6001 2Z URB	1	1	1
13	2401 0808	RAY Ç YATAK SACI ALT SOL	RAIL INNER SIDE PLATE LOWER LEFT	1	1	1
14	2402 3041	MOTOR KOMPLE	MOTOR COMPLETE	1	1	1
15	2401 0821	RAY YATAK SACI KOMPLE	RAIL BED PLATE FULL	1	1	1
16	2401 0347	ALT GÖVDE KAPAK SACI	LOWER BODY COVER PLATE	1	1	1
17	2401 6020	AYAK KOMPLE	STAND FULL	8	8	8
18	2401 0804	RAY MEKAN ZMA BA LAMA SACI	RAIL MECHANISM CONNec PLATE	1	1	1
19	2401 0323	RAY MEKAN ZMASI SOL	RAIL MECHANISM LEFT	1	1	1
A	2401 0820	RAY MEKAN ZMASI SOL	RAIL MECHANISM LEFT	1	1	1
	2401 0810	RAY MEKAN ZMASI SA	RAIL MECHANISM FRIGHT	1	1	1
20	2401 0322	RAY MEKAN ZMASI SAB T SA	RAIL MECHANISM FIXED RIGHT	1	1	1
21	2401 0805	RAY Ç YATAK SACI SA	RAIL INNER BED PLATE RIGHT	2	2	2
22	2401 0811	RAY YATAK SACI KOMPLE DI SA	RAIL BED PLATE FULL OUTER RIGHT	1	1	1
23	1303 1062	STOP V DASI B LYALI M10X20	STOPPER SCREW WITH BALL M10X20	1	1	1
24	2401 0803	ALT TABLA ARA SACI	TOP TABLE BETWEEN PLATE	1	1	1
25	2401 0843	S GORTA SACI	FUSE PLATE	1	1	1
26	2220 0222	TOPRAKLAMA SACI	GROUNDING PLATE	1	1	1
27	1303 0681	C VATA PUNTA M6X15	BOLT STITCH M6X15	1	1	1
28	1302 0600	C VATA M6X20	BOLT M6X20	1	1	1
29	1304 0601	C VATA M6X16	BOLT M6X16	1	1	1
30	1004 0024	KLEMENS 3'LÜ TERM NAL BLOK	CONNECTOR 3-WAY BLOCK TERMINAL	1	1	1



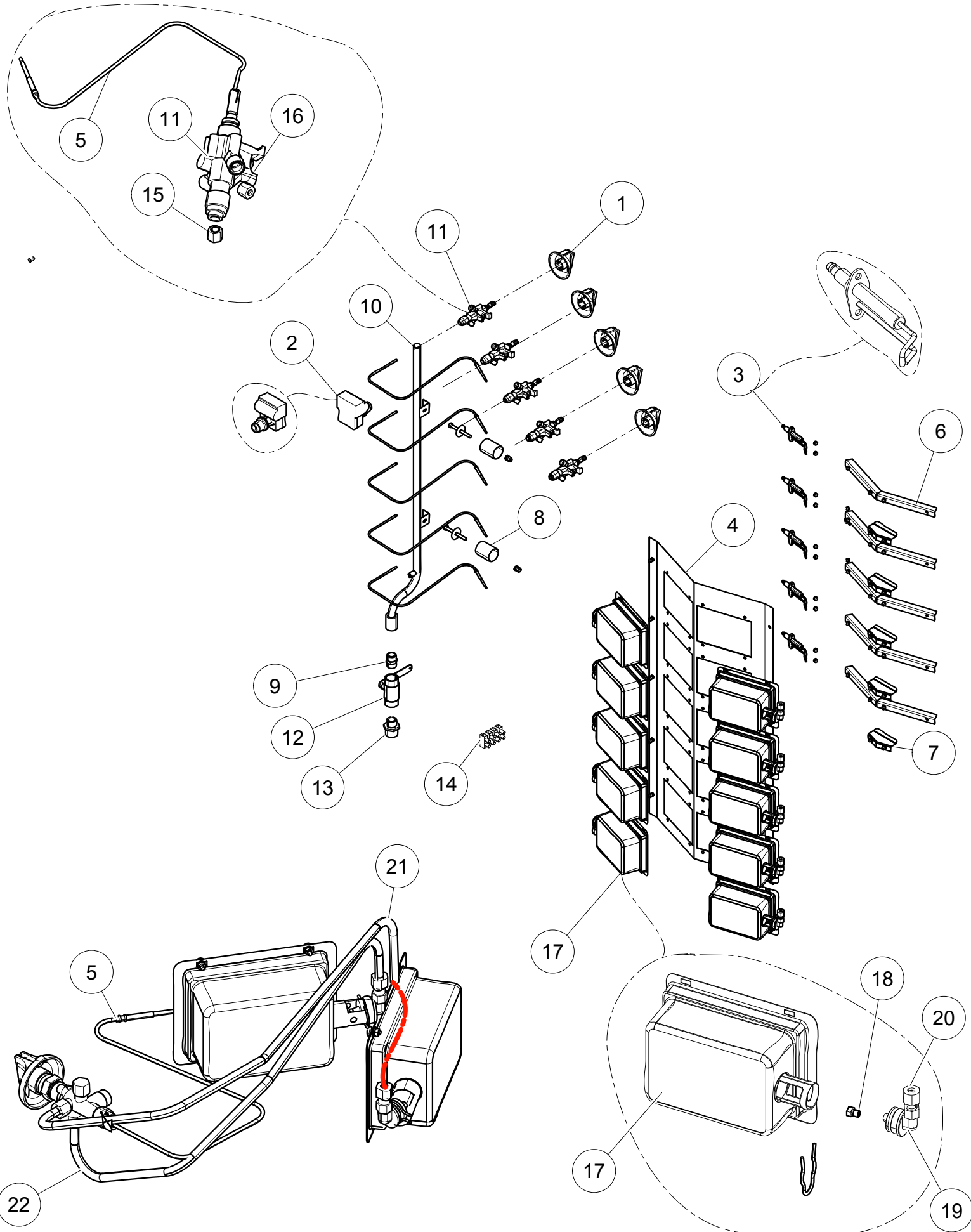


SERVİS MANUEL /SERVICE MANUEL
GAZLI DONER OCAGI
DONER KEBAB MACHINE GAS

MODEL NO PDG 300-400-500N
TARİH/DATE 17.04.2018
REV 2/NSF
SAYFA/PAGE 6/12

ÜST GÖVDE KOMPLE / UPPER BODY FULL

NO	PARÇA NO PART NO	PARÇA ADI	PART NAME	ADET PCS		
				PDG 500N	PDG 400N	PDG 300N
1	2403 0851	SAC GÖVDE KOMPLE ÜST	PLATE BODY FULL UPPER	1		
	2402 0851	SAC GÖVDE KOMPLE ÜST	PLATE BODY FULL UPPER		1	
	2401 0851	SAC GÖVDE KOMPLE ÜST	PLATE BODY FULL UPPER			1
2	2403 0816	ARKA KAPAK SACI	BACK COVER PLATE	1		
	2402 0816	ARKA KAPAK SACI	BACK COVER PLATE		1	
	2401 0856	ARKA KAPAK SACI	BACK COVER PLATE			1
3	2403 0881	KUMANDA PANEL SAC GÖVDE	REMOTE PANEL PLATE BODY	1		
	2402 0881	KUMANDA PANEL SAC GÖVDE	REMOTE PANEL PLATE BODY		1	
	2401 0881	KUMANDA PANEL SAC GÖVDE	REMOTE PANEL PLATE BODY			1
4	1312 0105	KULP	HANDLE	1	1	1
5	2403 0844	GÖVDE ÜST KORUMA SACI	BACK COVER PLATE			
6	2403 0871	CAM BA LANTISI CAMLI KOMPLE	GLASS CONNECTION GLASS FULL	1		
	2402 0871	CAM BA LANTISI CAMLI KOMPLE	GLASS CONNECTION GLASS FULL		1	
	2401 0871	CAM BA LANTISI CAMLI KOMPLE	GLASS CONNECTION GLASS FULL			1
7	2403 0891	TEL ÖRGÜ KOMPLE	WIRE MESH COMPLETE	1		
	2402 0891	TEL ÖRGÜ KOMPLE	WIRE MESH COMPLETE		1	
	2401 0871	TEL ÖRGÜ KOMPLE	WIRE MESH COMPLETE			1
8	2403 0840	CAM MUHAFAZA KOMPLE	COMPLETE PROTECTION GLASS	1		
	2402 0890	CAM MUHAFAZA KOMPLE	COMPLETE PROTECTION GLASS		1	
	2401 0890	CAM MUHAFAZA KOMPLE	COMPLETE PROTECTION GLASS			1



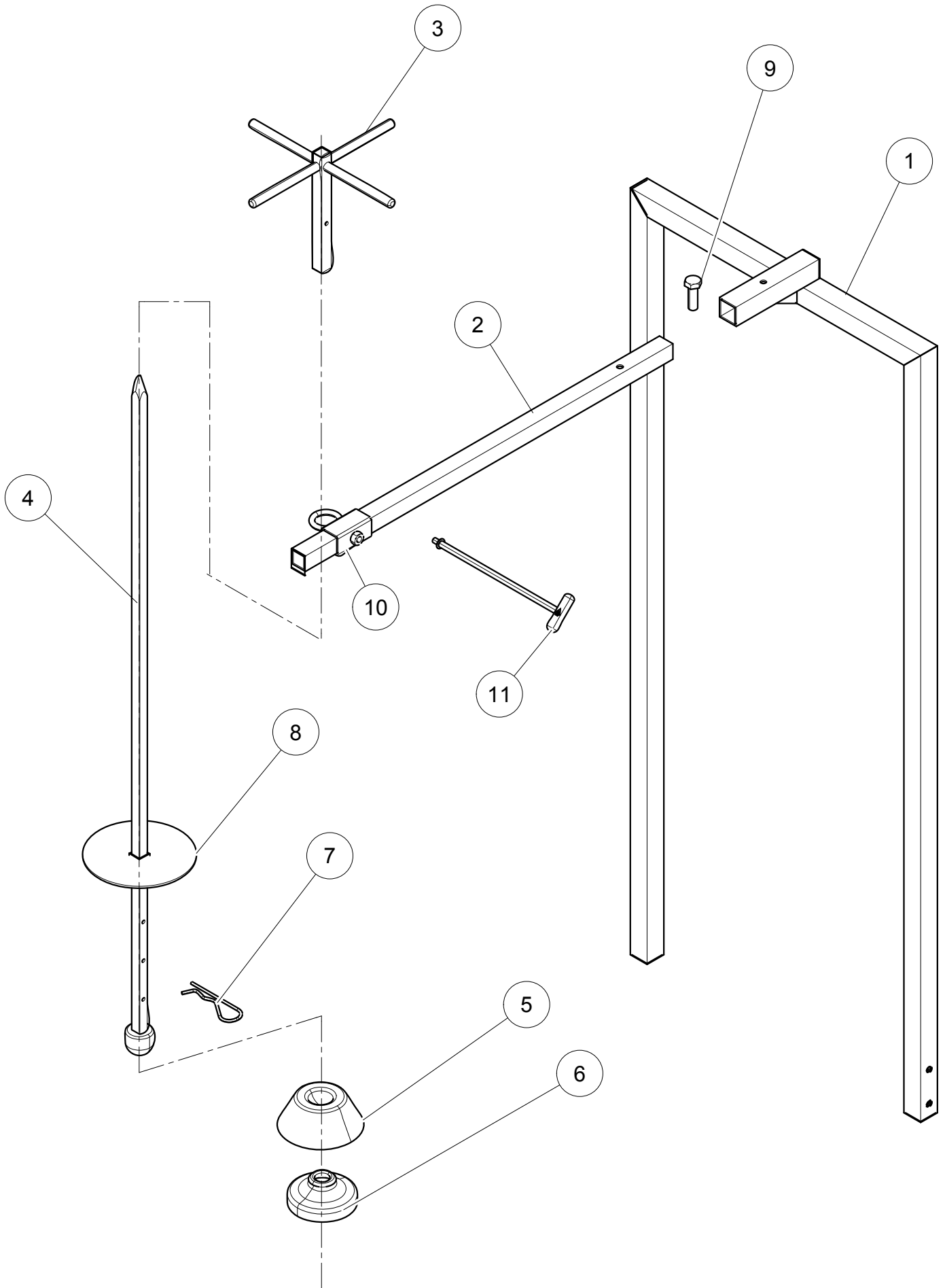


SERVİS MANUEL /SERVICE MANUEL
GAZLI DÖNER OCAGI
DÖNER KEBAB MACHINE GAS

MODEL NO PDG 51300-400-00N
TARİH/DATE 17.04.2018
REV 2/NSF
SAYFA /PAGE 8/12

GAZ TERT BATI KOMPLE / GAS ARRANGEMENT FULL

NO	PARÇA NO PART NO	PARÇA ADI	PART NAME	ADET PCS		
				PDG 300N	PDG 400N	PDG 500N
1	2403 6020	DÜME	BUTTON	5	4	3
2	1108 0210	P LL ÇAKMAK	BATTERY LIGHTER	1	1	1
3	1108 0114	ATE LEME BUJİS KABLOLU	IGNITION BUJI CABLE	3	4	5
4	2403 0807	ARA GÖVDE SACI	INTERMEDIATE BODY PLATE			1
	2401 0824	ARA GÖVDE SACI	INTERMEDIATE BODY PLATE	1		
	2402 0807	ARA GÖVDE SACI	INTERMEDIATE BODY PLATE		1	
5	1106 0009	TERMOKUPL TE 301	THERMOCOUPLE TE 301	6	8	10
6	2403 0812	RADYAN DESEK SACI	RADIAN SUPPORT PLATE	6	8	10
7	2400 0813	HAVA YÖNLENDİRME SACI	AIR GUIDE PLATE	1	1	1
8	2401 3057	PANEL BAĞLAMA BÖRUSÜ	PANEL CONNECTOR HOSE	2	2	2
9	1205 0330	NIPEL 1/2"	NIPEL 1/2"	1	1	1
10	2403 8101	GAZ DEPOSU KOMPLE	GAS STORAGE FULL	1	1	1
11	1103 0601	GAZ MUSLUĞU	GAS VALVE	5	5	5
12	1201 0007	VANA KÜRESEL 1/2"	GLOBAL VALVE 1/2"	1	1	1
13	1104 1005	3/4"*1/2" REDÜKSİYON	3/4"*1/2" REDUCTION	1	1	1
14	2441 7012	KLEMENS 1000 LK	TERMINALS 1000	1	1	1
15	2800 4103	REKOR 5/8 P R NÇ	RECORD 5/8 BRASS	1	1	1
16	2800 8133	REKOR M16*1,5	RECORD M16*1,5	1	1	1
17	1107 0005	RADYAN DÖNER	RADIAN DÖNER KEBAP	6	8	10
18	1105 1122	ENJEKTÖR Ø1,22(G20 DOĞAL GAZ)	INJECTOR Ø1,22 (G20 NATURAL GAS)	6	8	10
	2700 8082	ENJEKTÖR Ø0,82 G30 LPG)	INJECTOR Ø0,82 G30 LPG)	6	8	10
19	1104 1510	RADYAN GİRİŞ DESEK	RADIAN INPUT SUPPORT	6	8	10
20	2401 3052	SOMUN REKOR	NUT RECORD	6	8	10
21	2500 8024	FLEX BORU KOMPLE Ø6X400mm	FLEX PIPE COMP. Ø6X400mm	6	8	10
22	2500 8026	FLEX BORU KOMPLE Ø6X700mm	FLEX PIPE COMP. Ø6X700mm	6	8	10



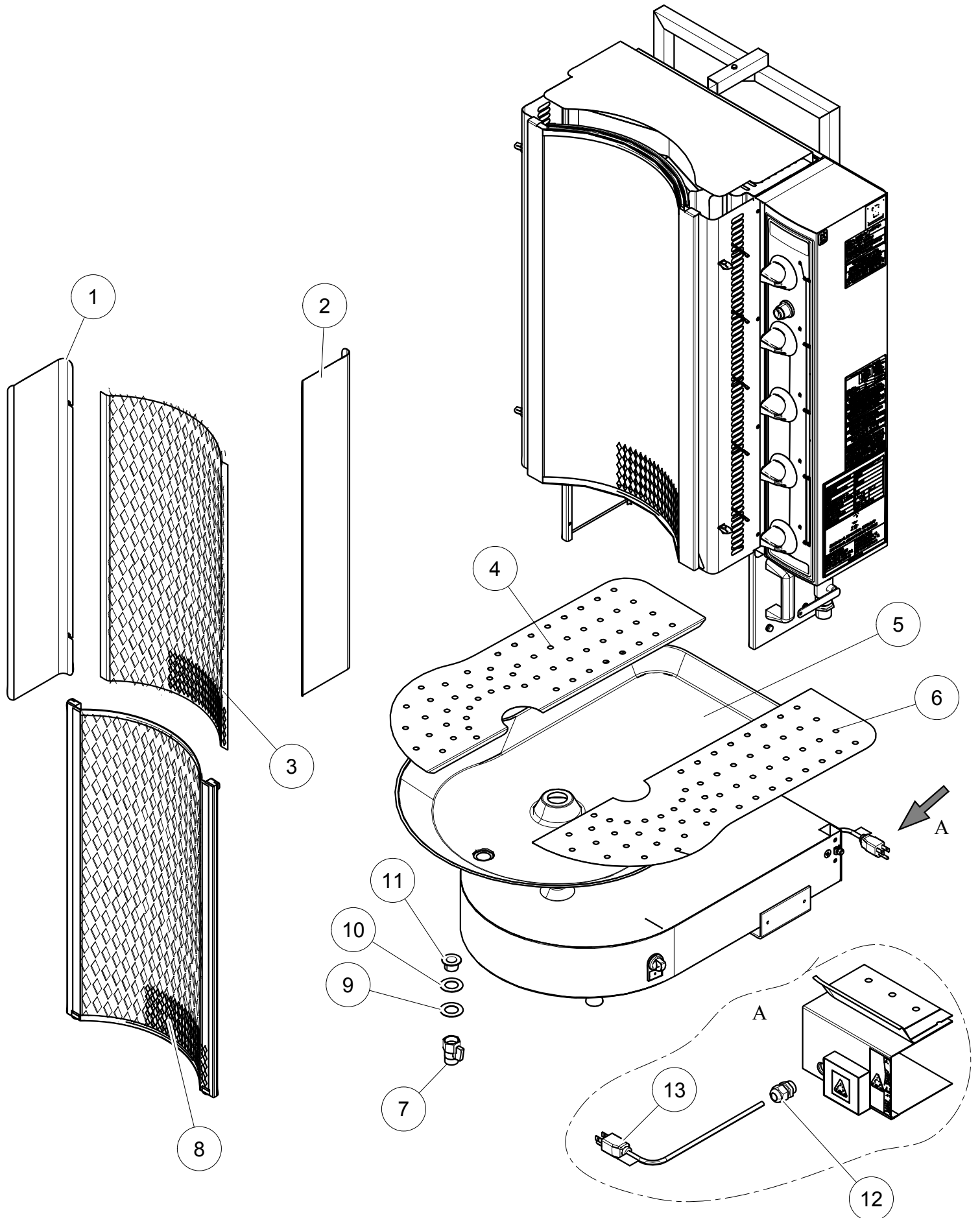


SERVİS MANUEL /SERVICE MANUEL
GAZLI DONER OCAGI
DONER KEBAB MACHINE GAS

MODEL NO PDG 300-400-500N
TARİH/DATE 17.04.2018
REV 2/NSF
SAYFA /PAGE 10/12

KOMPLE / SKEWER FULL

NO	PARÇA NO PART NO	PARÇA ADI	PART NAME	ADET PCS		
				PDG 300N	PDG 400N	PDG 500N
1	2403 4310	KARKAS KOMPLE	FRAMEWORK FULL			1
	2401 4310	KARKAS KOMPLE	FRAMEWORK FULL	1		
	2402 4310	KARKAS KOMPLE	FRAMEWORK FULL		1	
2	2401 4371	DÖNER TA İYICI PROF L KOMPLE YEN	DONER KEBAP HOLDER PROFILE FULL NEW	1	1	1
3	2401 3180	DÖNER ALEM KOMPLE	DONER KEBAP BANNER FULL	1	1	1
4	2403 4321	KOMPLE 860mm PDE503/503E-PDG500(YEN)	SKEWER FULL 860mm PDE503/503E-PDG500(NEW)			1
	2401 3381	KOMPLE 570mm PDE303/303E-PDG300(YEN)	SKEWER FULL 570mm PDE303/303E-PDG300(NEW)	1		
	2402 3081	KOMPLE 724mm PDE403/403E-PDG400(YEN)	SKEWER FULL 724mm PDE403/403E-PDG400(NEW)		1	
5	2401 1250	ALT KABI KOMPLE	SUB SKEWER CONTAINER FULL	1	1	1
6	2401 6003	KÖRÜ Ü (2"MERÇ.302 ARKA TOZ)	SKEWER BELLOW (2"MERÇ.302 BACK POWDER)	1	1	1
7	2400 3133	F RKETE () Ø3X180	HAIRPIN (SKEWER) Ø3X180	1	1	1
8	2400 0010	AYNA SACI KÜÇÜK KOMPLE	REFLECTOR PLATE SMALL COMPLETE	1	1	1
9	1303 0500	C VATA M5X16 AKB	BOLT M5X16 AKB	1	1	1
10	2402 4391	ÜST YATA I KOPLE	SKEWER TOP BEARING COMP.	1	1	1
11	2401 3380	SAB TLEME KOLU	STABILIZATION ARM	1	1	1





SERV S MANUEL /SERVICE MANUEL
GAZLI DONER OCAGI
DONER KEBAB MACHINE GAS

MODEL NO PDG 300-400-500N
TAR H/DATE 17.04.2018
REV 2/NSF
SAYFA /PAGE 12/12

DI SACLAR / OUTER PLATES

NO	PARÇA NO PART NO	PARÇA ADI	PART NAME	ADET PCS		
				PDG 300N	PDG 400N	PDG 500N
1	2403 1295	KAPAK SACI SOL	LEFT COVER PLATE			2
	2401 0854	KAPAK SACI SOL	LEFT COVER PLATE	2		
	2402 0854	KAPAK SACI SOL	LEFT COVER PLATE		2	
2	2403 1296	GÖVDE KOMPLE ÜST	UPPER BODY FULL			1
	2401 0853	GÖVDE KOMPLE ÜST	UPPER BODY FULL	1		
	2402 0853	GÖVDE KOMPLE ÜST	UPPER BODY FULL		1	
3	2403 0839	RADYAN MUHAFAZA SACI	RADIAN COVER PLATE			1
	2401 0839	RADYAN MUHAFAZA SACI	RADIAN COVER PLATE	1		
	2402 0853	RADYAN MUHAFAZA SACI	RADIAN COVER PLATE		1	
4	2401 1282	TEPS SÜZGEÇ SACI SOL	TRAY SIEVE PLATE LEFT	1	1	1
5	2401 1272	YA TEPS S	WASTE OIL TRAY	1	1	1
6	2401 1283	TEPS SÜZGEÇ SACI SA	TRAY SIEVE PLATE RIGHT	1	1	1
7	1201 0001	VANA KÜRESEL 3/4" M N	GLOBAL VALVE 3/4" MINI	1	1	1
8	2403 0890	CAM MUHAFAZA KOMPLE	GLASS COVER FULL	1	1	1
9	2720 1014	G DER BA LAMA PULU	OUTLET CONNECTION WASHER	1	1	1
10	1207 0010	CONTA Ø44XØ26*2 VITON	GASKET Ø44XØ26*2 VITON	1	1	1
11	2730 3004	UZATMA 3/4"	STRETCHING 3/4"	1	1	1
12	1003 1014	REKOR METAL	RECORD METAL	1	1	1
13	1002 0010	F AMER KAN T P	AMERICAN TYPE PLUG	1	1	1