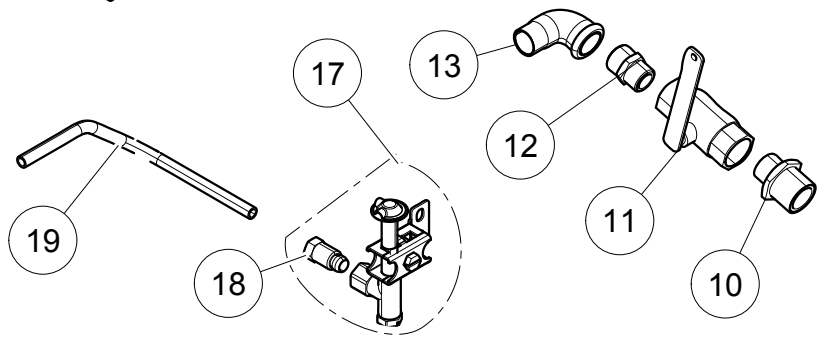
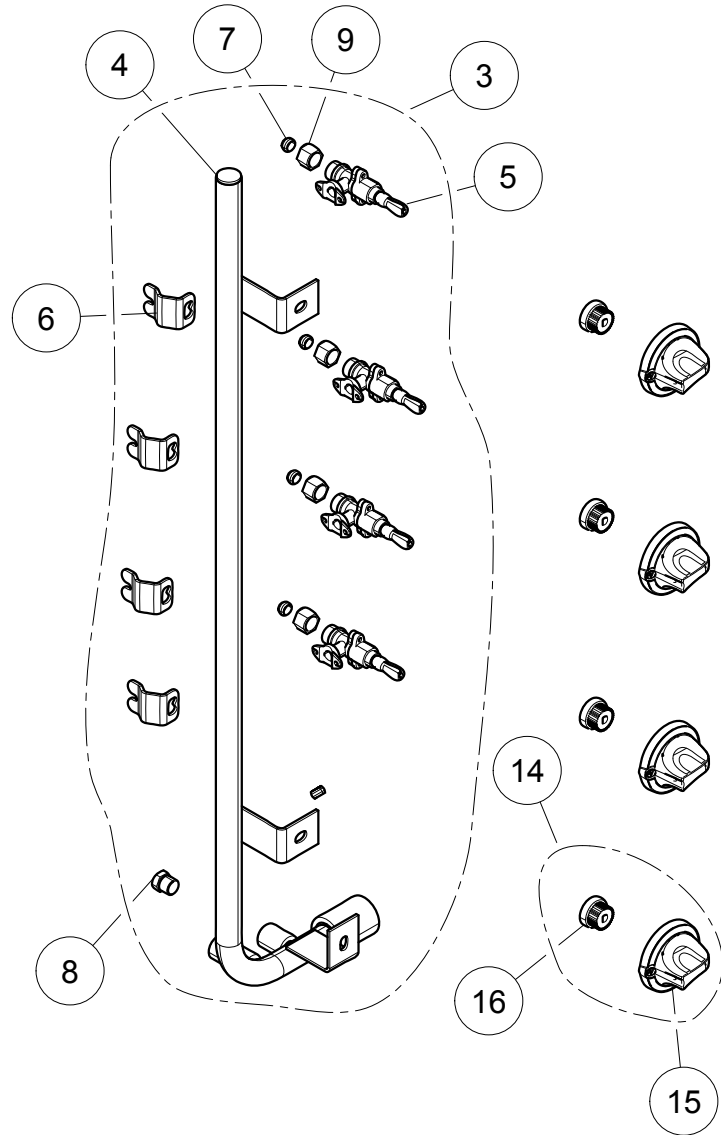
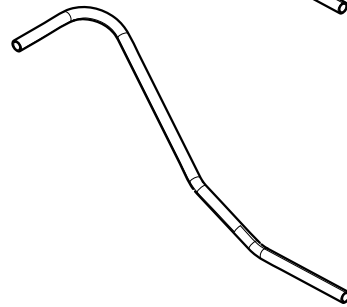
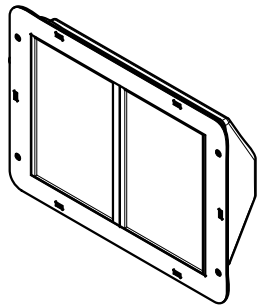
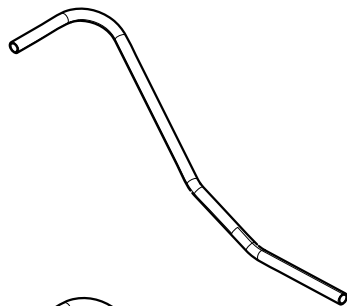
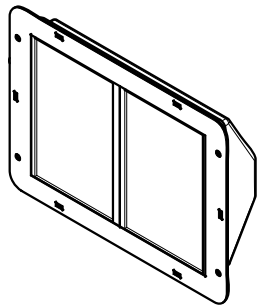
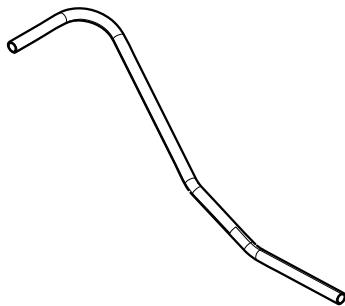
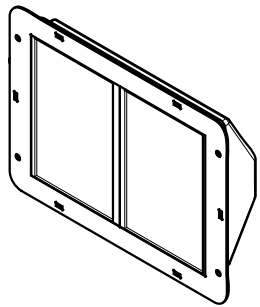
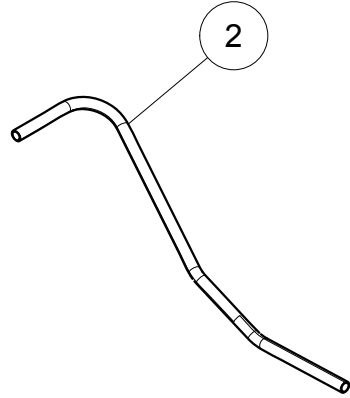
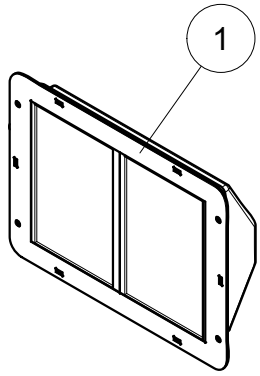




**SERVICE MANUEL OF DONER KEBAB
MACHINE / MANUEL DE SERVICE FOUR
DE DONER À GAZ**

MODEL NO PDG 112-113-114 MN
TAR H/DATE 03.10.2018
REV 2
SAYFA /PAGE 2/8

<u>NO</u>	<u>PARÇA NO</u> <u>PART NO</u>	<u>PARÇA ADI</u>	<u>PART NAME</u>	<u>ADET</u>		
				<u>PCS</u>	<u>PDG</u>	
				112MN	113MN	114MN
1	3828 2000	DÖNER OCAGI	DONER KEBAB	1		
	3828 3011	DÖNER OCA I	DONER KEBAB		1	
	3828 4210	DÖNER OCA I	DONER KEBAB			1
2	--	GAZ TERT BATI	GAS SYSTEM	1	1	1
3	--	SAC AKSAMI	PLATES	1	1	1
4	--	KOMPLE	SIDE COMPLETE	1	1	1

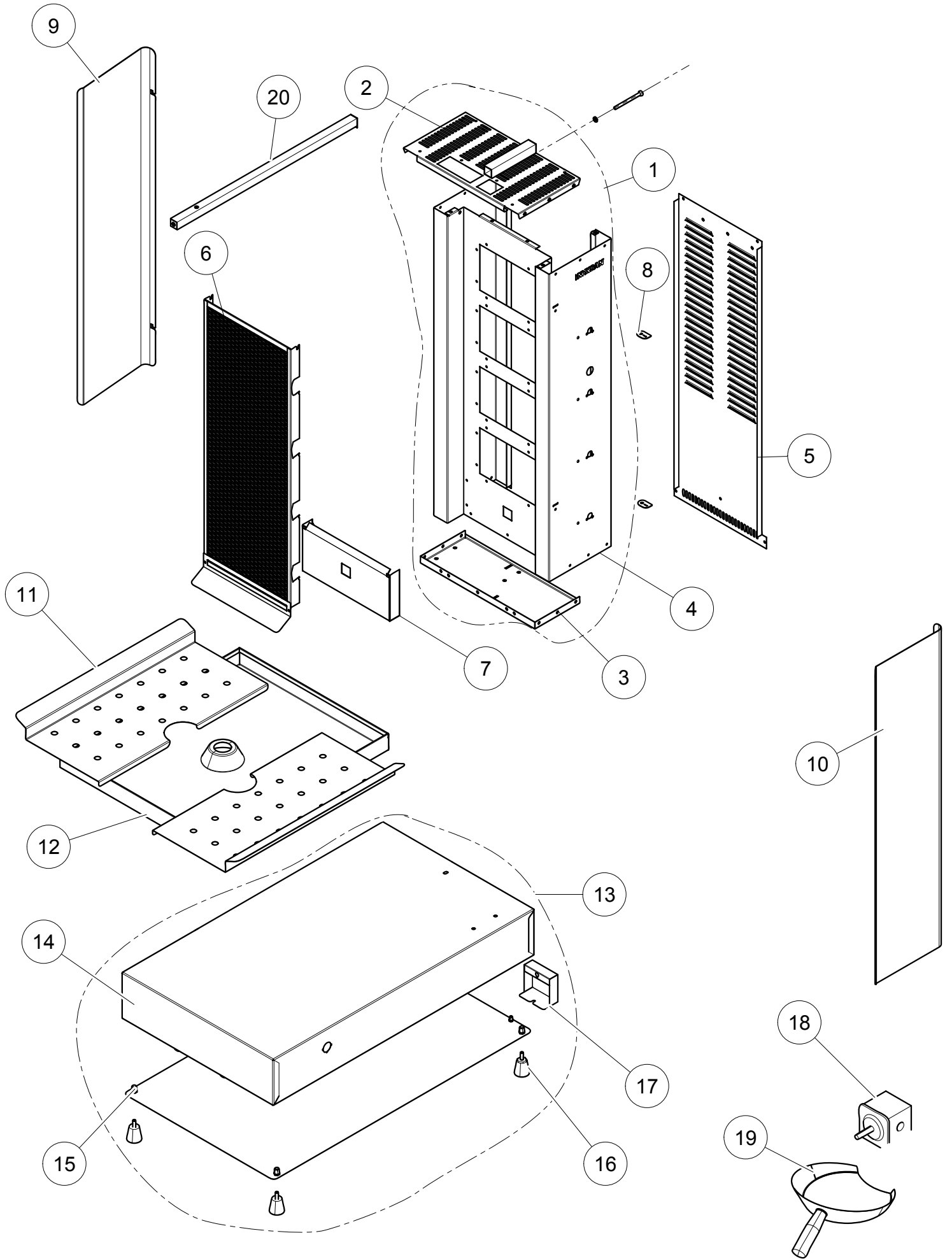




**SERVICE MANUEL OF DONER KEBAB
MACHINE / MANUEL DE SERVICE FOUR
DE DONER À GAZ**

MODEL NO PDG 112-113-114 MN
TAR H/DATE 03.10.2018
REV 2
SAYFA /PAGE 4/8

NO	PARÇA NO PART NO	PARÇA ADI		PART NAME			ADET		
							PCS		
							PDG		
112MN	113MN	114MN							
1	1107 0006	RADYAN DÖNER 3kw	RADIANT ROTARY 3kw	2	3	4	2	3	4
2	2402 8043	GAZ G R BORUSU	GAS INLET PIPE		3	4		3	4
	2400 8043	GAZ G R BORUSU	GAS INLET PIPE	2			2		
3	2400 8230	GAZ DEPOSU KOMPLE MUSLUKLU	GAZ STORAGE COMPL. TAP	1			1		
	2401 8230	GAZ DEPOSU KOMPLE MUSLUKLU	GAZ STORAGE COMPL. TAP		1			1	
	2402 8230	GAZ DEPOSU KOMPLE MUSLUKLU	GAZ STORAGE COMPL. TAP			1			1
4	2400 8231	GAZ DEPOSU KOMPLE	GAZ STORAGE COMPLETE	1			1		
	2401 8231	GAZ DEPOSU KOMPLE	GAZ STORAGE COMPLETE		1			1	
	2402 8231	GAZ DEPOSU KOMPLE	GAZ STORAGE COMPLETE			1			1
5	1106 0610	ALUMINYUM GAZ MUSLUGU	AUMINIUM GAS VALVE	2	3	4	2	3	4
6	1103 0612	MULUK BAGLAMA KELEPÇES	TAP CONNECTION CLAMP	2	3	4	2	3	4
7	1103 0906	MUSLUK BA LAMA V DASI	VALVE CONNECTION SCREW	2	3	4	2	3	4
8	2403 8005	KÖR TAPA 1/8"	BLIND TAPE	1	1	1	1	1	1
9	1106 0009	TERMOKUPL	THERMOCOUPLES	2	3	4	2	3	4
10	2401 4006	REDÜKS YON N PEL	REDUCTION NIPEL	1	1	1	1	1	1
11	1201 0007	VANA KÜRESEL	VALVE BALL	1	1	1	1	1	1
12	2401 4005	N PEL ÖZEL 1/2"	NIPPLE SPECIAL	1	1	1	1	1	1
13	1205 0121	D RSEK KUYRUKLU 1/2"	STRAIGHT 1/2"	1	1	1	1	1	1
14	2401 6021	DÜ ME KOMPLE MAÇALI Ø52	BUTTON COMPLETE Ø52	2	3	4	2	3	4
15	2401 6019	DÜ ME Ø52 GAZ MUSLU U	BUTTON Ø52 GAS TAP	2	3	4	2	3	4
16	2700 6103	DÜ ME MAÇASI Ø6	BUTTON CORE Ø6	2	3	4	2	3	4
17	1108 0002	P LOT TUTUCU 2 L	PLOT HOLDER TWO	1	1	1	1	1	1
18	2800 8122	MUSLUK ÇIKI REKORU YÜKSÜKLÜ	TAPER OUTPUT CONCRETE HIGH	1	1	1	1	1	1
19	2401 8046	P LOT GAZ G R BORUSU	PILOT GAS INLET BORUSU		1	1		1	1
	2400 8046	P LOT GAZ G R BORUSU	PILOT GAS INLET BORUSU	1			1		
20	2401 3105	TERMOKUPUL TUTTURMA YAYI Ø6	THERMOCOUPLES ATTACH SPRING Ø6	2	3	4	2	3	4



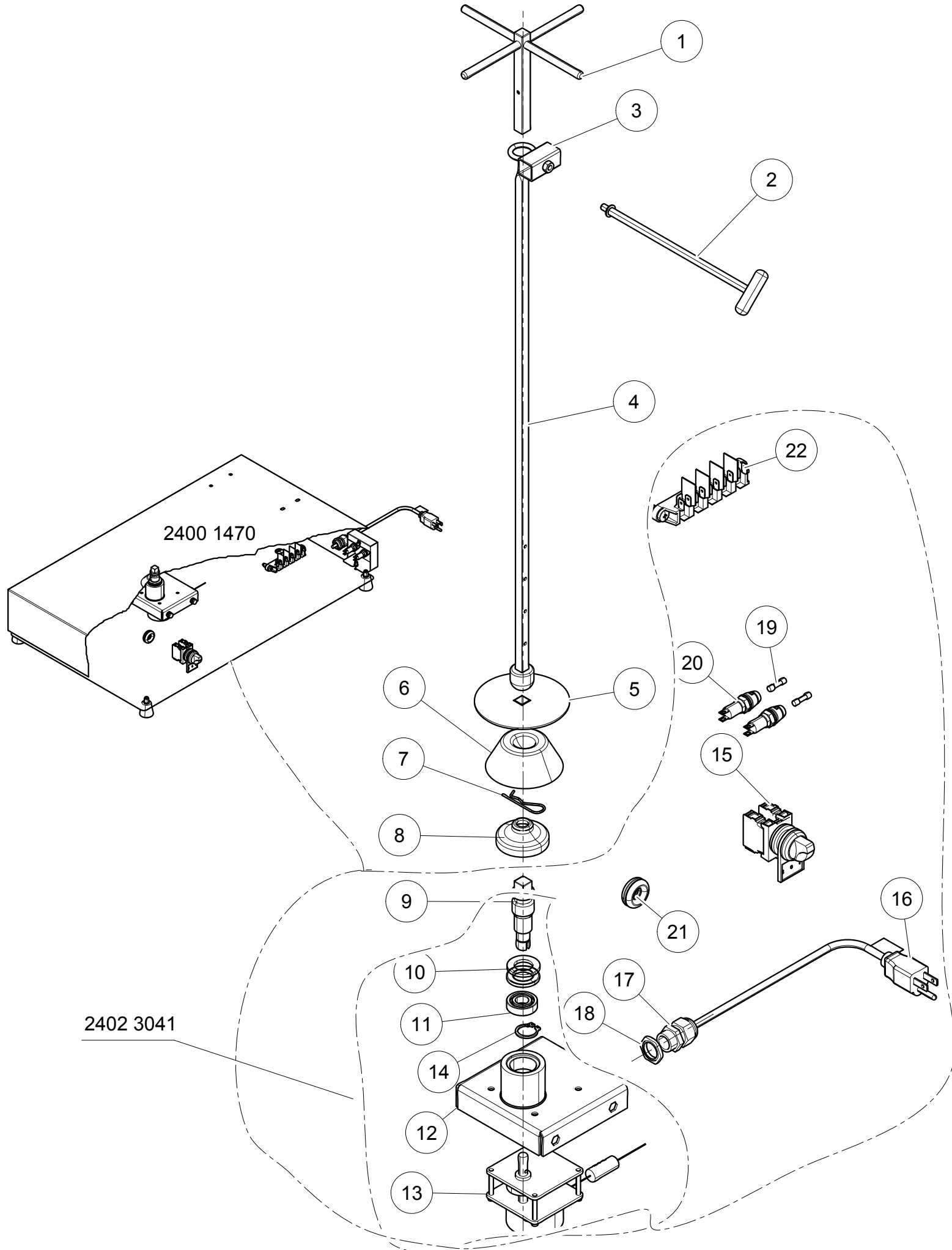


**SERVICE MANUEL OF DONER KEBAB
MACHINE / MANUEL DE SERVICE FOUR
DE DONER À GAZ**

MODEL NO PDG 112-113-114 MN
TAR H/DATE 03.10.2018
REV 2
SAYFA /PAGE 6/8

NO	PARÇA NO PART NO	PARÇA ADI	PART NAME	ADET		
				PCS		
				PDG		
			112MN	113MN	114MN	
1	2402 1480	ÜST GÖVDE KOMPLE	TOP CARCASS COMPLETE			1
	2401 1480	ÜST GÖVDE KOMPLE	TOP CARCASS COMPLETE		1	
	2400 1480	ÜST GÖVDE KOMPLE	TOP CARCASS COMPLETE	1		
2	2402 1430	ÜST GÖVDE SACI KOMPLE	TOP CARCASS PLATE COMPLETE		1	1
	2400 1430	ÜST GÖVDE SACI KOMPLE	TOP CARCASS PLATE COMPLETE	1		
3	2402 1420	ÜST GÖVDE SACI KOMPLE	TOP CARCASS PLATE COMPLETE	1	1	1
4	2400 1481	SAC GÖVDE KOMPLE	PLATE CARCASS COMPLETE	1		
	2401 1481	SAC GÖVDE KOMPLE	PLATE CARCASS COMPLETE		1	
	2402 1481	SAC GÖVDE KOMPLE	PLATE CARCASS COMPLETE			1
5	2402 1462	ARKA KAPAK SACI	REAR COVER DRAIN			1
	2401 1462	ARKA KAPAK SACI	REAR COVER DRAIN		1	
6	2400 1450	RADYAN TEL KOMPLE	RADIANT WIRE COMPLETE	1		
	2401 1450	RADYAN TEL KOMPLE	RADIANT WIRE COMPLETE		1	
	2402 1450	RADYAN TEL KOMPLE	RADIANT WIRE COMPLETE			1
7	2400 1441	ÖN PANEL KOMPLE	FRONT PNAEL COMPLETE	1		
	2402 1441	ÖN PANEL KOMPLE	FRONT PNAEL COMPLETE		1	1
8	2403 0852	KAPAK BA LAMA SACI	COVER CONNECTION PLATE	4	4	4
9	2401 0854	KAPAK SACI SOL	COVER PLATE LEFT	1		
	2402 0854	KAPAK SACI SOL	COVER PLATE LEFT		1	
	2403 0854	KAPAK SACI SOL	COVER PLATE LEFT			1
10	2401 0853	KAPAK SACI SA	COVER PLATE RIGHT	1		
	2402 0853	KAPAK SACI SA	COVER PLATE RIGHT		1	
	2401 0853	KAPAK SACI SA	COVER PLATE RIGHT			1
11	2400 1497	SÜZGEÇ SACI	FILTRE PLATE	1	1	1
12	2400 1496	ALT KARKAS	BOTTOM CARCASS	1	1	1

13	2400 1470	ALT GÖVDE KOMPLE	BOTTOM CARCASS COMPLETE	1	1	1
14	2400 1471	ALT GÖVDE SADI	BOTTOM CARCASS PLATE	1	1	1
15	2400 1474	AYAK SADI	STAND PLATE	1	1	1
16	2401 6020	AYAK KOMPLE M6/Ø30x45	STAND COMPLETE M6/Ø30x45	4	4	4
17	2403 0843	S GORTA MUHAFAZA SADI	FUSE PROTECTOR PLATE	1	1	1
18	1102 1001	REGÜLATÖR	REGULATOR	1	1	1
19	2401 3105	KÜREK KOMPLE	SHOVEL COMPLETE	1	1	1
20	2401 4371	DÖNER TA İYICI PROF L	DONER CARRIER PROFILE	1	1	1





**SERVICE MANUEL OF DONER KEBAB
MACHINE / MANUEL DE SERVICE FOUR
DE DONER À GAZ**

MODEL NO PDG 112-113-114 MN
TAR H/DATE 03.10.2018
REV 2
SAYFA /PAGE 8/8

NO	PARÇA NO PART NO	PARÇA ADI	PART NAME	ADET PCS		
				PDG		
				112MN	113MN	114MN
1	2401 3180	DÖNER ALEM KOMPLE	ROTARY AREA COMPLETE	1	1	1
2	2401 4391	ARA DESTEK KOMPLE	SUPPORT COMPLETE	1	1	1
3	2402 4391	ÜST YATA I KOMPLE	SIDE TOP INSURANCE COMPLETE	1	1	1
4	2400 3121	KOMPLE 574mm	SIDE COMPLETE	1		
	2401 3151	KOMPLE 644mm	SIDE COMPLETE		1	
	2402 3130	KOMPLE 814mm	SIDE COMPLETE			1
5	2400 0010	AYNA SACI	MIRROR PLATE	1	1	1
6	2401 1250	ALT KABI KOMPLE	SIDE BOTTOM BOX COMPLETE	1	1	1
7	2400 3133	Firkete (i) Q3x180	HAIRPIN Q3x180	1	1	1
8	2401 6004	KÖRÜ Ü	SIZE BELLOW	1	1	1
9	2402 3042	MOTOR M L UZATMA PARÇASI	MOTOR MIL EXTENSION PARTS	1	1	1
10	1404 0020	RULMAN	ROLLER	1	1	1
11	1404 0003	RULMAN	ROLLER	1	1	1
12	2402 0320	MOTOR BA LANTI SACI KOMPLE	MOTOR CONNECTION PLATE COMP.	1	1	1
13	2402 3071	MOTOR P ML UZATMA KABLOLU	MOTOR PENAL EXTENSION WIRELESS	1	1	1
14	1313 0012	SEGMAN	SEGMAN	1	1	1
15	1001 0224	ANAHTAR	BUTTON	1	1	1
16	1002 0010	F AMER KAN T P	PLUG AMERICAN TYPE	1	1	1
17	1003 1014	KABLO GEÇ REKORU	CABLE TRANSITION RECORD	1	1	1
18	1003 1015	K L TLEME SOMUNU	LOCKING NUT	1	1	1
19	1015 0006	CAM S GORTA	GLASS FUSE	2	2	2
20	1015 0007	CAM S G.YUVASI 5x20mm	GLASS FUSE INSURANCE	2	2	2
21	1003 0600	KABLO SAC LAST	CABLE PLATE TIRE	1	1	1
22	1004 0025	KLEMENS 5'L BLOK TERM NAL	TERMINAL 5 BLOCK	1	1	1