

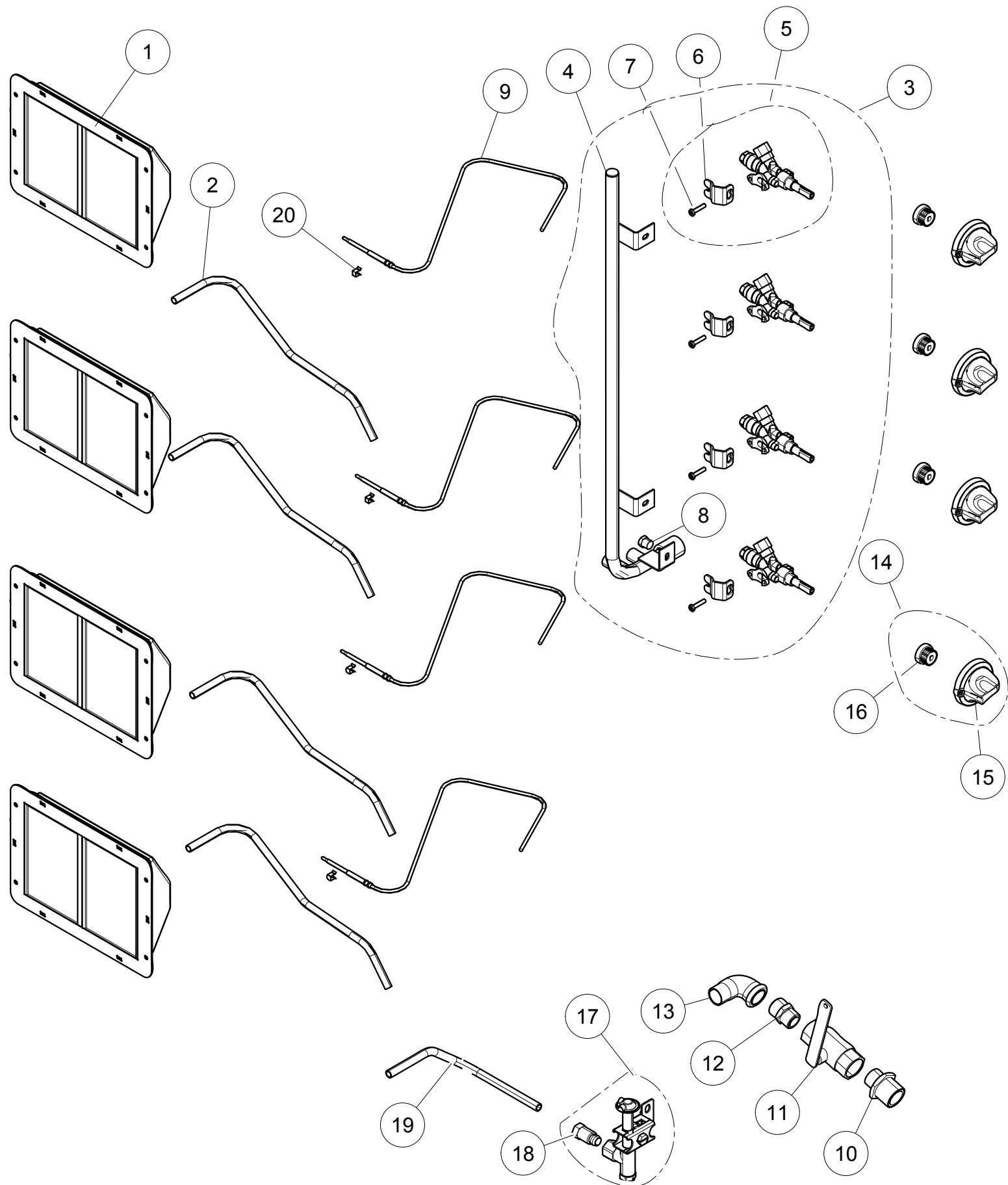


**SERVICE MANUEL OF DONER KEBAB MACHINE**  
**/ MANUEL DE SERVICE FOUR**  
**DE DONER À GAZ**

MODÈLE N° PDG 102-103-104 / MN / N  
DATE 03.10.2018  
RÉV. 2  
PAGE 2/8

COMPLETE DEVICE / APPAREIL COMPLET

NO	PARÇA NO PART NO	PARÇA ADI	PART NAME	ADET / PCS PDG						
				102M N	103 MN	104 MN	102 N	103 N	104 N	
1	3828 2011	DONER KEBAP OVEN WITH	FOUR DE DONER	1						
	3828 3011	DONER KEBAP OVEN WITH	FOUR DE DONER		1					
	3828 4011	DONER KEBAP OVEN WITH	FOUR DE DONER			1				
	3828 2001	DONER KEBAP OVEN WITH	FOUR DE DONER				1			
	3828 3001	DONER KEBAP OVEN WITH	FOUR DE DONER					1		
	3828 4001	DONER KEBAP OVEN WITH	FOUR DE DONER							1
2	---	GAZ TERT BATI	GAS PLANT	1	1	1	1	1	1	1
3	2402 1470	MOTOR KUTUSU KOMPLE	MOTOR BOX COMPLETE	1	1	1				
4	---	DI SACLAR	OTHER PLATES	1	1	1	1	1	1	1

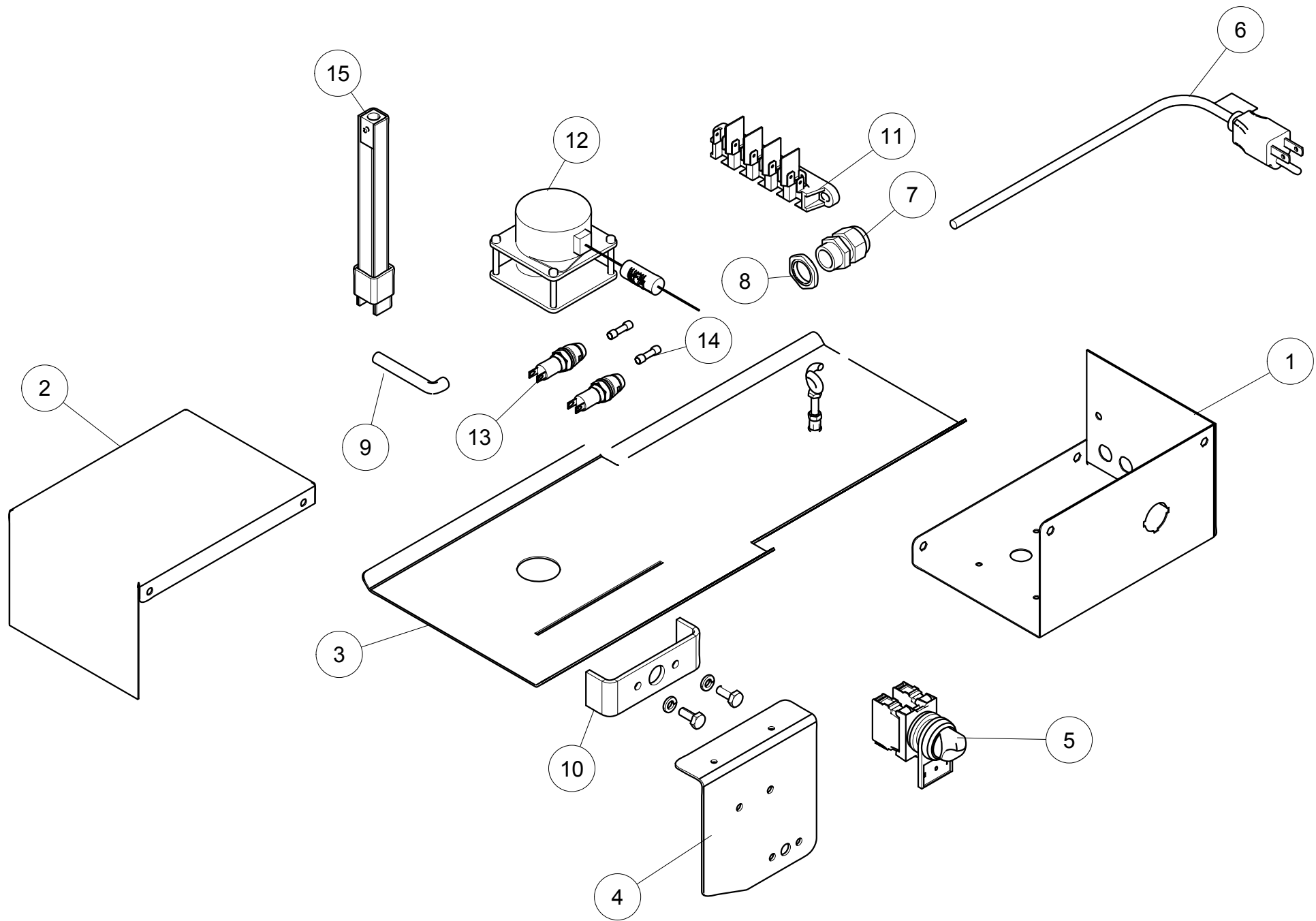




**SERVICE MANUEL OF DONER KEBAB  
MACHINE / MANUEL DE SERVICE FOUR  
DE DONER À GAZ**

MODÈLE N° PDG 102-103-104 / MN / N  
DATE 03.10.2018  
RÉV. 2  
PAGE 4/8

NO	PARÇA NO PART NO	PARÇA ADI	PART NAME	ADET / PCS					
				102 MN	103 MN	104 MN	102 N	103 N	104 N
1	1107 0006	RADYAN DÖNER 3kw	RADIANT ROTARY 3kw	2	3	4	2	3	4
2	2402 8043	GAZ G R BORUSU	GAS INLET PIPE		3	4		3	4
	2400 8043	GAZ G R BORUSU	GAS INLET PIPE	2			2		
3	2400 8230	GAZ DEPOSU KOMPLE MUSLUKLU	GAZ STORAGE COMPL. TAP	1			1		
	2401 8230	GAZ DEPOSU KOMPLE MUSLUKLU	GAZ STORAGE COMPL. TAP		1			1	
	2402 8230	GAZ DEPOSU KOMPLE MUSLUKLU	GAZ STORAGE COMPL. TAP			1			1
4	2400 8231	GAZ DEPOSU KOMPLE	GAZ STORAGE COMPLETE	1			1		
	2401 8231	GAZ DEPOSU KOMPLE	GAZ STORAGE COMPLETE		1			1	
	2402 8231	GAZ DEPOSU KOMPLE	GAZ STORAGE COMPLETE			1			1
5	1106 0610	ALUMINYUM GAZ MUSLUGU	AUMINIUM GAS VALVE	2	3	4	2	3	4
6	1103 0612	MULUK BAGLAMA KELEPÇES	TAP CONNECTION CLAMP	2	3	4	2	3	4
7	1103 0906	MUSLUK BA LAMA V DASI	VALVE CONNECTION SCREW	2	3	4	2	3	4
8	2403 8005	KÖR TAPA 1/8"	BLIND TAPE	1	1	1	1	1	1
9	1106 0009	TERMOKUPL TE-301-10	THERMOCOUPLES	2	3	4	2	3	4
10	2401 4006	REDÜKS YON N PEL	REDUCTION NIPEL	1	1	1	1	1	1
11	1201 0007	VANA KÜRESEL	VALVE BALL	1	1	1	1	1	1
12	2401 4005	N PEL ÖZEL 1/2"	NIPPLE SPECIAL	1	1	1	1	1	1
13	1205 0121	D RSEK KUYRUKLU 1/2"	STRAIGHT 1/2"	1	1	1	1	1	1
14	2401 6021	DÜ ME KOMPLE MAÇALI Ø52	BUTTON COMPLETE Ø52	2	3	4	2	3	4
15	2401 6019	DÜ ME Ø52 GAZ MUSLU U	BUTTON Ø52 GAS TAP	2	3	4	2	3	4
16	2700 6103	DÜ ME MAÇASI Ø6	BUTTON CORE Ø6	2	3	4	2	3	4
17	1108 0002	P LOT TUTUCU 2 L	PLOT HOLDER TWO	1	1	1	1	1	1
18	2800 8122	MUSLUK ÇIKI REKORU YÜKSÜKLÜ	TAPER OUTPUT CONCRETE HIGH	1	1	1	1	1	1
19	2401 8046	P LOT GAZ G R BORUSU	PILOT GAS INLET BORUSU		1	1		1	1
	2400 8046	P LOT GAZ G R BORUSU	PILOT GAS INLET BORUSU	1			1		
20	2401 3105	TERMOKPUL TUTTURMA YAYI Ø6	THERMOCOUPLES ATTACH SPRING Ø6	2	3	4	2	3	4

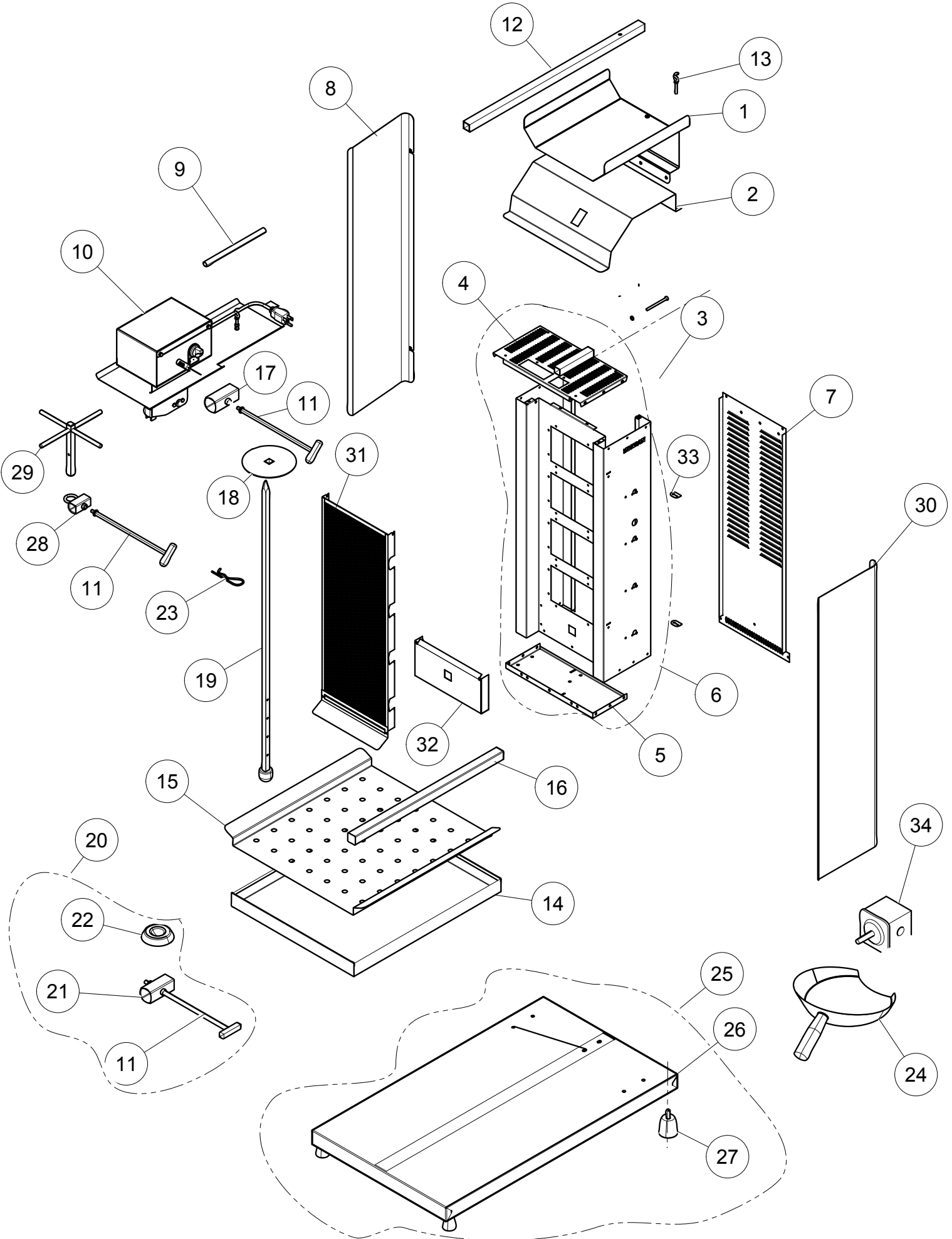




**SERVICE MANUEL OF DONER KEBAB  
MACHINE / MANUEL DE SERVICE FOUR DE  
DONER À GAZ**

MODÈLE N° PDG 102-103-104 / MN / N  
DATE 03.10.2018  
RÉV. 2  
PAGE 6/8

NO	PARÇA NO PART NO	PARÇA ADI	PART NAME	ADET / PCS					
				102 MN	103 MN	104 MN	102 N	103 N	104 N
1	2402 1472	MOTOR KUTUSU ÜST SACI 430 SB	MOTOR BOX TOP PLATE 430SB	1	1	1			
2	2402 1473	MOTOR KUTUSU ALT SACI 430 SB	MOTOR BOX LOVER PLATE 430SB	1	1	1			
3	2402 1471	MOTOR KORUYUCU SACI KOMPLE	MOTOR PROTECTIVE PLATE COMP.	1	1	1			
4	2402 0737	MOTOR ALT YAN BA LANTI SACI	MOTOR LOVER SIDE CONNECT. PLATE	1	1	1			
5	1001 0224	ANAHTAR M22-WRK3 AC 15 6A 230V	KEY M22-WRK3 AC 15 6A 230V EATON	1	1	1			
6	1002 0010	F AMER KAN T P	PLUG AMERICAN TYPE	1	1	1			
7	1003 1014	KABLO GEÇ REKORU	CABLE TRANSITION RECORD	1	1	1			
8	1003 1015	K L TLEME SOMUNU	LOCKING NUT	1	1	1			
9	2400 7000	KABLO DEMET KOMPLE	BUNCH OF CABLE COMPLETE	1	1	1			
10	2402 1476	MOTOR KUTUSU SAB TLEME SACI	MOTOR BOX FIXED PLATE	1	1	1			
11	1004 0025	KLEMENS 5'L BLOK TERM NAL	TERMINALS 5 BLOCK	1	1	1			
12	1013 0015	MOTOR 1d/d 115V 450rpm CROUZET	MOTOR 1d/d 115V 450rpm	1	1	1			
13	1015 0007	CAM S G.YUVASI 5x20mm 250VAC 10A /	GLASS FUSE	2	2	2			
14	1015 0006	CAM S GORTA (5x20mm) 0,4A 250V	GLASS INSURANCE	2	2	2			
15	2400 3081	YATAKLAMA KOMPLE	SIDE BELLING COMPLETE	1	1	1			



NO	PARÇA NO PART NO	PARÇA ADI	PART NAME	ADET / PCS					
				102 MN	103 MN	104 MN	102 N	103 N	104 N
1	2402 1480	ÜST SAC	TOP PLATE	1	1	1			
2	2402 1463	ÜST KORUYUCU SACI	TOP PROTECTOR PLATE	1	1	1			
3	2402 1401	ÜST GÖVDE KOMPLE	TOP CARCASS COMPLETE			1			1
	2401 1401	ÜST GÖVDE KOMPLE	TOP CARCASS COMPLETE		1			1	
	2400 1401	ÜST GÖVDE KOMPLE	TOP CARCASS COMPLETE	1			1		
4	2402 1430	ÜST GÖVDE SACI KOMPLE	TOP CARCASS PLATE COMPLETE		1	1		1	1
	2400 1430	ÜST GÖVDE SACI KOMPLE	TOP CARCASS PLATE COMPLETE	1			1		
5	2402 1403	ALT KAPAK	BOTTOM COVER	1	1	1	1	1	1
6	2400 1401	SAC GÖVDE KOMPLE	PLATE CARCASS COMPLETE	1			1		
	2401 1401	SAC GÖVDE KOMPLE	PLATE CARCASS COMPLETE			1			1
	2402 1401	SAC GÖVDE KOMPLE	PLATE CARCASS COMPLETE			1			1
7	2402 1462	ARKA KAPAK SACI	REAR COVER DRAIN			1			1
	2401 1462	ARKA KAPAK SACI	REAR COVER DRAIN		1			1	
	2400 1462	ARKA KAPAK SACI	REAR COVER DRAIN	1			1		
8	2401 0854	KAPAK SACI SOL 430SB	COVER PLATE LEFT 430SB	1			1		
	2402 0854	KAPAK SACI SOL 430SB	COVER PLATE LEFT 430SB		1			1	
	2403 0854	KAPAK SACI SOL 430SB	COVER PLATE LEFT 430SB			1			1
9	2402 7002	S L KON HORTUM GR Ø9*1,5*1650mm	SILICONE HOSE GREEN Ø9*1,5*1650mm	1	1	1	1	1	1
10	2402 1470	MOTOR KUTUSU KOMPLE 115V	MOTOR BOX COMPLETE	1	1	1			
11	2401 3380	SAB TLEME KOLU KOMPLE	FIXING FITTING COMPLETE	2	2	2	2	2	2
12	2401 4371	DÖNER TA İYICI PROF L KOMPLE	ROTARY CARRIER PROFILE COMP.	1	1	1	1	1	1
13	2400 3331	KABLO GEÇ SP RAL KOMPLE	CABLE TRANSTION SPIRAL COMP.	1	1	1			
14	2402 1465	DÖNER ALT TABAN SACI 304SB	ROTARY BOTTLE	1	1	1	1	1	1
15	2402 1302	DÖNER SÜZGEÇ SACI 304SB	ROTARY FILTER PLATE	1	1	1	1	1	1
16	2402 3501	DÖNER TA İYICI ALT KARKAS	ROTARY CARRIER LOWER CARCASS	1	1	1	1	1	1
17	2402 4410	ÜST YATA I KOMPLE	SIDE TOP BED	1	1	1			
18	2400 0010	AYNA SACI KÜÇÜK KOMPLE	MIRROR PLATE SMALL COMPLETE	1	1	1	1	1	1
19	2400 3121	KOMPLE 574mm	SIDE COMPLETE 574mm	1			1		
	2401 3151	KOMPLE 644mm	SIDE COMPLETE 644mm		1			1	
	2402 3130	KOMPLE 814mm	SIDE COMPLETE 814mm			1			1
20	2402 4401	ALT YATA I KOMPLE	SLIP BOTTOM COMPLETE	1	1	1	1	1	1
21	2402 4402	YATA I	BOTTLE BED	1	1	1	1	1	1
22	2402 4403	ALT KABI Ø73*15*0,8	SIDE LOWER CONTAINER Ø73*15*0,8	1	1	1	1	1	1
23	2400 3133	Firkete ( i ) Q3x180	HAIRPIN Q3x180	1	1	1	1	1	1
24	2400 0080	KÜREK KOMPLE	SHOVEL COMPLETE	1	1	1	1	1	1
25	2402 1421	ALT TABLA KOMPLE	LOVER TABLE COMPLETE	1	1	1	1	1	1
26	2402 1431	ALT TABLA SAC KOMPLE	LOVER TABLE PLATE COMPLETE	1	1	1	1	1	1
27	2401 6020	AYAK KOMPLE M6/Ø30x45	STAND COMPLETE M6/Ø30x45	1	1	1	1	1	1
28	2402 4391	ÜST YATA I KOMPLE	SIDE TOP BED COMPLETE				1	1	1
29	2401 3180	DÖNER ALEM KOMPLE	ROTARY AREA COMPLETE				1	1	1



30	2401 0853	KAPAK SACI SA 430SB	COVER PLATE RIGHT 430SB	1			1		
	2402 0853	KAPAK SACI SA 430SB	COVER PLATE RIGHT 430SB		1			1	
	2401 0853	KAPAK SACI SA 430SB	COVER PLATE RIGHT 430SB			1			1
31	2400 1450	RADYAN TEL KOMPLE	RADIANT WIRE COMPLETE	1			1		
	2401 1450	RADYAN TEL KOMPLE	RADIANT WIRE COMPLETE		1			1	
	2402 1450	RADYAN TEL KOMPLE	RADIANT WIRE COMPLETE			1			1
32	2400 1441	ÖN PANEL KOMPLE	FRONT PANEL COMPLETE	1			1		
	2402 1441	ÖN PANEL KOMPLE	FRONT PANEL COMPLETE		1	1		1	1
33	2403 0852	KAPAK BA LAMA SACI	COVER CONNECTION PLATE	4	4	4	4	4	4
34	1102 1001	REGÜLATÖR	REGULATOR	1	1	1	1	1	1