



**SERVICE MANUEL OF DONER
KEBAB MACHINE / MANUEL DE
SERVICE FOUR DE DONER À**

MODEL NO PDE 303 - 403 - 503 N
TAR H/DATE 07.02.2017
REV 0
SAYFA /PAGE 2/10

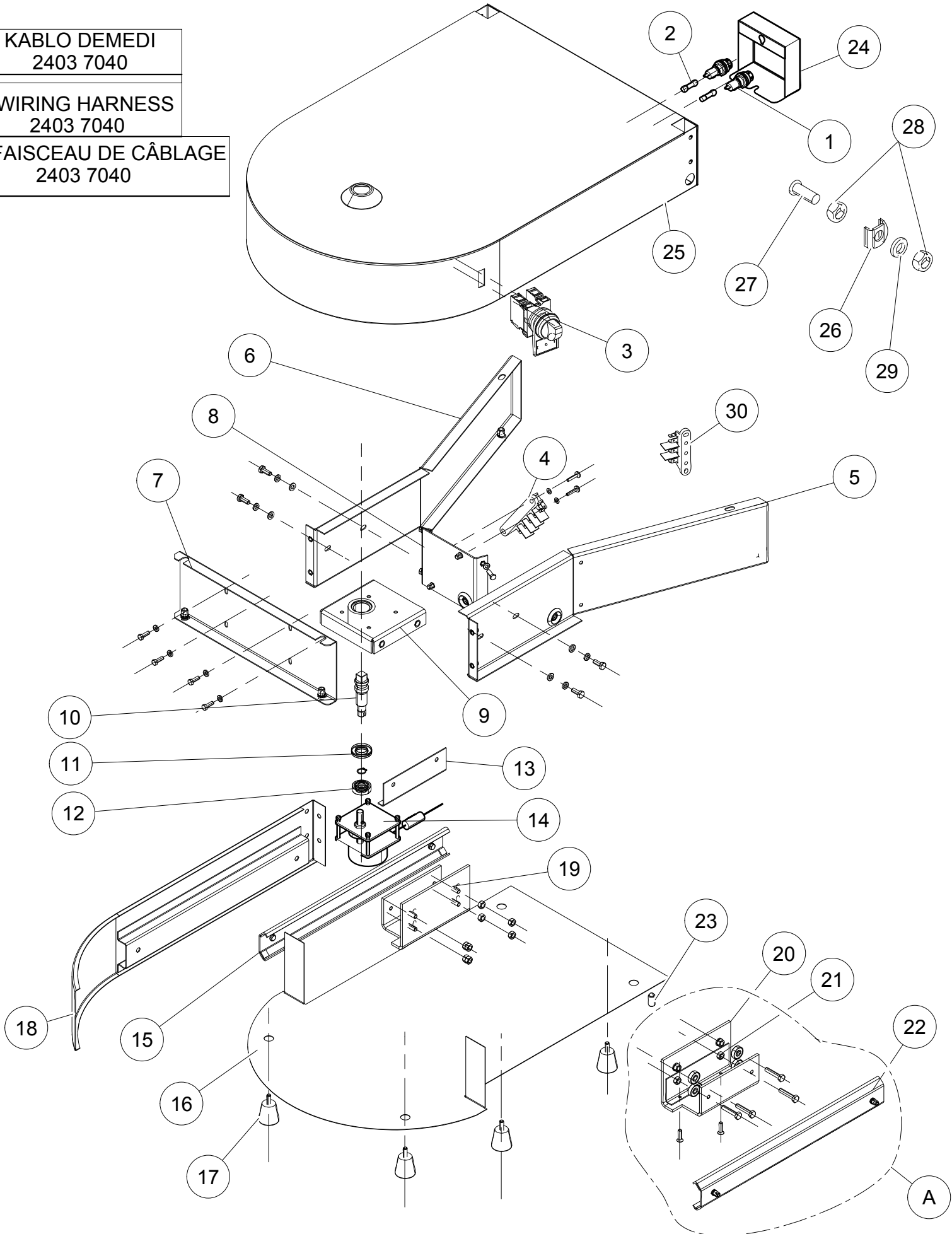
KOMPLE

NO	PARÇA NO PART NO	PARÇA ADI	PART NAME	ADET PCS		
				PDE 303N	PDE 403N	PDE 503N
1	3822 5001	DÖNER OCA I KOMPLE	DONER KEBAB COMPLETE			1
	3822 4001	DÖNER OCA I KOMPLE	DONER KEBAB COMPLETE		1	
	3822 3001	DÖNER OCA I KOMPLE	DONER KEBAB COMPLETE	1		
2	---	ALT MOTOR KOMPLE	BOTTOM MOTOR COMPLETE	1	1	1
3	---	SAC AKSAMI	PLATE PARTS	1	1	1
4	---	ELEKTR K AKSAMI	ELECTRICAL PARTS	1	1	1
5	---	AKSAMI	BOTH PART	1	1	1

KABLO DEMEDI
2403 7040

WIRING HARNESS
2403 7040

FAISCEAU DE CÂBLAGE
2403 7040





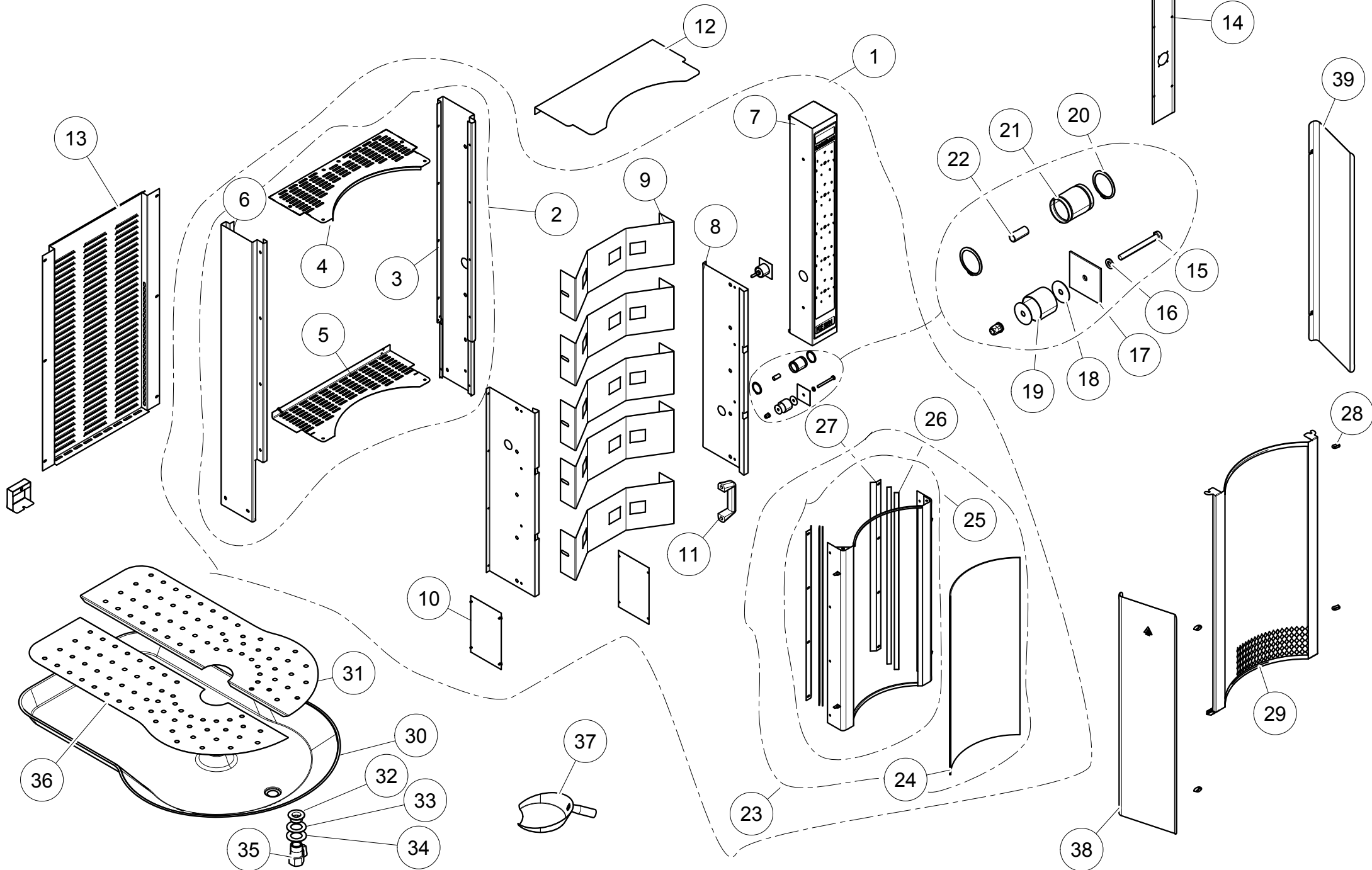
**SERVICE MANUEL OF DONER
KEBAB MACHINE / MANUEL DE
SERVICE FOUR DE DONER À**

MODEL NO
TAR H/DATE
REV
SAYFA /PAGE

PDE 303 - 403 - 503 N
07.02.2017
0
4/10

ALT GÖVDE KOMPLE / BOTTOM BODY FULL

NO	PARÇA NO PART NO	PARÇA ADI	PART NAME	ADET PCS		
				PDE 303N	PDE 403N	PDE 503N
1	1015 0007	S GORTA YUVASI	FUSE HOLDER	2	2	2
2	1015 0006	CAM S GORTA	GLASS FUSE	2	2	2
3	1001 0224	ANAHTAR M22-WRK3/K20	SWITCH M22-WRK3/K20	1	1	1
4	1004 0025	KLEMENS 5'L BLOK TERM NAL	CONNECTOR 5-WAY BLOCK TERMINAL	1	1	1
5	2401 0812	ALT GÖVDE DESTEK SACI YAN SA	LOWER BODY SUPPORT PLATE RIGHT-SIDE	1	1	1
6	2401 0813	ALT GÖVDE DESTEK SACI YAN SOL	LOWER BODY SUPPORT PLATE LEFT-SIDE	1	1	1
7	2401 0332	ALT GÖVDE DESTEK SACI	LOWER BODY SUPPORT PLATE	1	1	1
8	2401 0341	ALT GÖVDE DESTEK SACI KOMP. ARKA	LOWER BODY SUPPORT PLATE FULL BACK	1	1	1
9	2402 0320	MOTOR BA LANTI SACI KOMPLE	ENGINE CONNECTION PLATE FULL	1	1	1
10	2402 3042	MOTOR M L UZATMA PARÇASI	ENGINE SHAFT EXTENSION PART	1	1	1
11	1404 0020	RULMAN 51103 2Z URB	BEARING 51103 2Z URB	1	1	1
12	1404 0003	RULMAN 6001 2Z ORS	BEARING 6001 2Z URB	1	1	1
13	2401 0808	RAY Ç YATAK SACI ALT SOL	RAIL INNER SIDE PLATE LOWER LEFT	1	1	1
14	2402 3021	MOTOR KOMPLE	MOTOR COMPLETE	1	1	1
15	2401 0821	RAY YATAK SACI KOMPLE	RAIL BED PLATE FULL	1	1	1
16	2401 0347	ALT GÖVDE KAPAK SACI	LOWER BODY COVER PLATE	1	1	1
17	2401 6020	AYAK KOMPLE	STAND FULL	8	8	8
18	2401 0804	RAY MEKAN ZMA BA LAMA SACI	RAIL MECHANISM CONNEC PLATE	1	1	1
19	2401 0323	RAY MEKAN ZMASI SOL	RAIL MECHANISM LEFT	1	1	1
A	2401 0820	RAY MEKAN ZMASI SOL	RAIL MECHANISM LEFT	1	1	1
	2401 0810	RAY MEKAN ZMASI SA	RAIL MECHANISM FRIGHT	1	1	1
20	2401 0322	RAY MEKAN ZMASI SAB T SA	RAIL MECHANISM FIXED RIGHT	1	1	1
21	2401 0805	RAY Ç YATAK SACI SA	RAIL INNER BED PLATE RIGHT	2	2	2
22	2401 0811	RAY YATAK SACI KOMPLE DI SA	RAIL BED PLATE FULL OUTER RIGHT	1	1	1
23	1303 1062	STOP V DASI B LYALI M10X20	STOPPER SCREW WITH BALL M10X20	1	1	1
24	2401 0803	ALT TABLA ARA SACI	TOP TABLE BETWEEN PLATE	1	1	1
25	2401 0843	S GORTA SACI	FUSE PLATE	1	1	1
26	2220 0222	TOPRAKLAMA SACI	GROUNDING PLATE	1	1	1
27	1303 0681	C VATA PUNTA M6X15	BOLT STITCH M6X15	1	1	1
28	1302 0600	C VATA M6X20	BOLT M6X20	1	1	1
29	1304 0601	C VATA M6X16	BOLT M6X16	1	1	1
30	1004 0024	KLEMENS 3'LÜ TERM NAL BLOK	CONNECTOR 3-WAY BLOCK TERMINAL	1	1	1



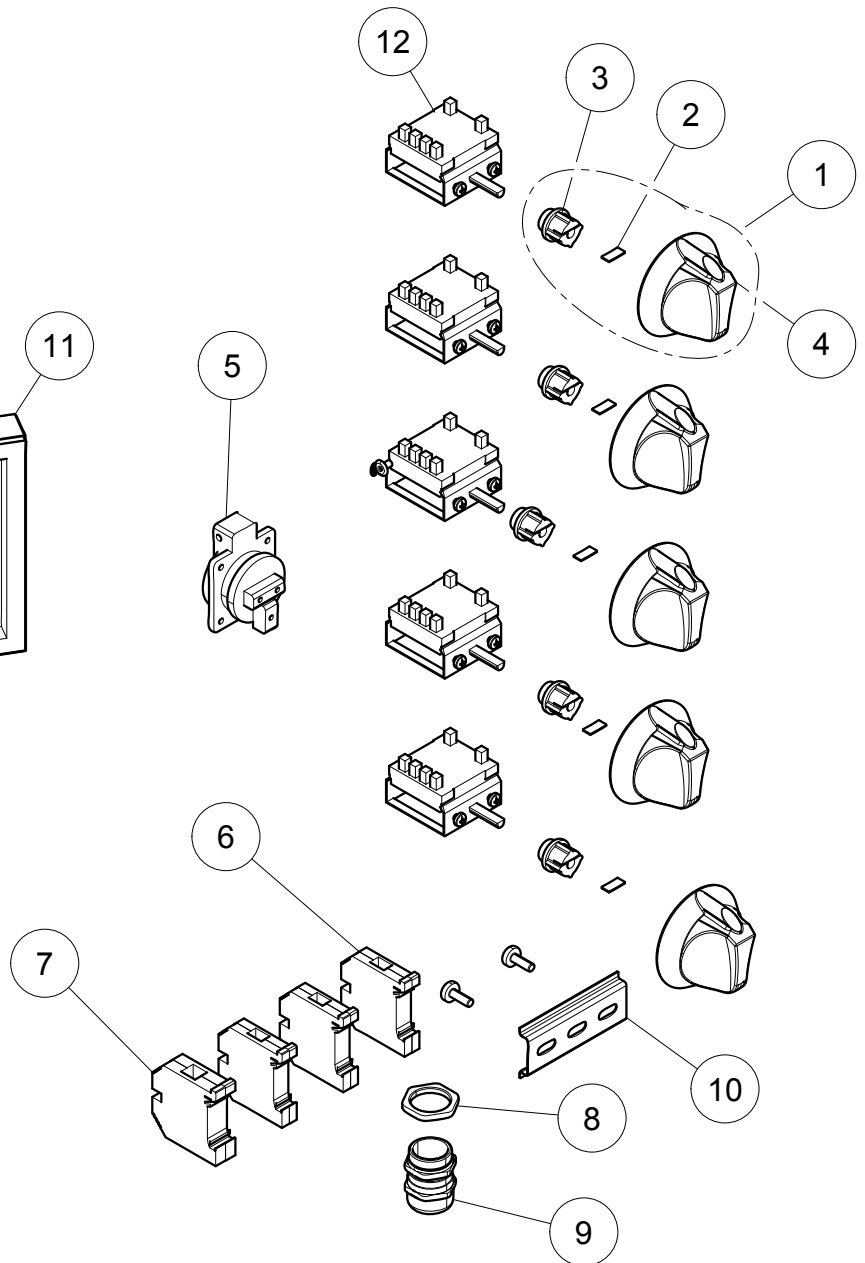
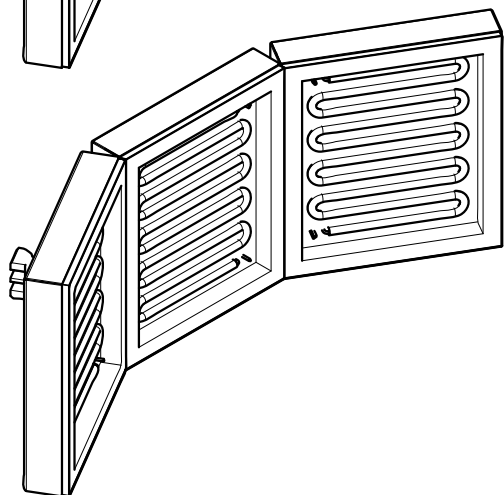
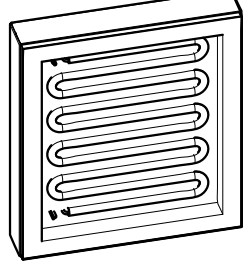
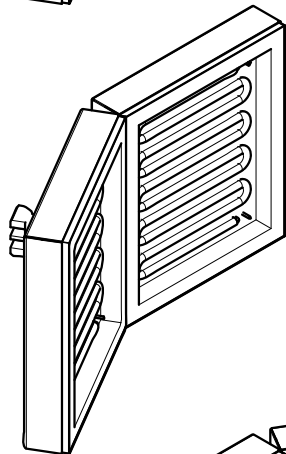
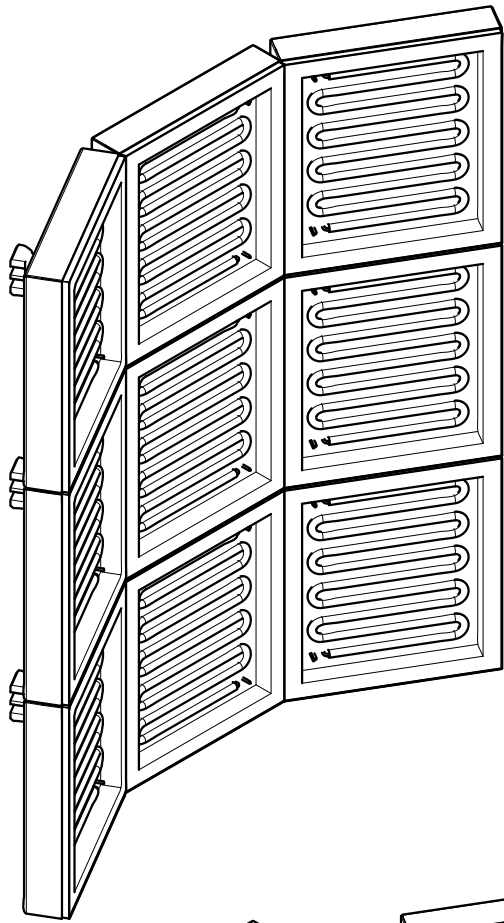


SERVICE MANUAL OF DONER
KEBAB MACHINE / MANUEL DE
SERVICE FOUR DE DONER À

MODEL NO PDE 303 - 403 - 503 N
FAR H/DATE 07.02.2017
REV 0
SAYFA /PAGE 6/10

SAC AKSAM SHEET PARTS

NO	PARÇA NO PART NO	PARÇA ADI	DECIPTION OF THE PART	ADET PCS		
				PDE 303N	PDE 403N	PDE 503N
1	2403 0201	GÖVDE KOMPLE ÜST	COMPLETE BODY , TOP			1
	2402 0240	GÖVDE KOMPLE ÜST	COMPLETE BODY , TOP		1	
	2401 0440	GÖVDE KOMPLE ÜST	COMPLETE BODY , TOP	1		
2	2403 0210	SAC GÖVDE KOMPLE ÜST	SHEET COMPLETE BODY, TOP			1
	2402 0242	SAC GÖVDE KOMPLE ÜST	SHEET COMPLETE BODY, TOP		1	
	2401 0442	SAC GÖVDE KOMPLE ÜST	SHEET COMPLETE BODY, TOP	1		
3	2403 0212	GÖVDE YAN SACI SA	BODY SIDE SHEET, RIGHT			1
	2402 0244	GÖVDE YAN SACI SA	BODY SIDE SHEET, RIGHT		1	
	2401 0444	GÖVDE YAN SACI SA	BODY SIDE SHEET, RIGHT	1		
4	2403 0211	ÜST GÖVDE KAPAK SACI KOMPLE	UPPER BODY COVER SHEET, COMPLETE	1	1	1
5	2403 0218	GÖVDE SACI ALT	BODY SHEET, BOTTOM	1	1	1
6	2403 0217	GÖVDE YAN SACI SOL	BODY SIDE SHEET, LEFT			1
	2402 0243	GÖVDE YAN SACI SOL	BODY SIDE SHEET , LEFT		1	
	2401 0443	GÖVDE YAN SACI SOL	BODY SIDE SHEET, LEFT	1		
7	2403 0230	KUMANDA PANEL SAC GÖVDE KOMPLE	CONTROL PANEL SHEET, COMPLETE BODY			1
	2402 0270	KUMANDA PANEL SAC GÖVDE KOMPLE	CONTROL PANEL SHEET, COMPLETE BODY		1	
	2401 0470	KUMANDA PANEL SAC GÖVDE KOMPLE	CONTROL PANEL SHEET, COMPLETE BODY	1		
8	2403 0219	ISITIC BASKI BA LAMA SACI	HEATING ELEMENT PRESS CONNECTING SHEET			2
	2402 0244	ISITIC BASKI BA LAMA SACI	HEATING ELEMENT PRESS CONNECTING SHEET		2	
	2401 0444	ISITIC BASKI BA LAMA SACI	HEATING ELEMENT PRESS CONNECTING SHEET	2		
9	2401 1255	ISITIC SAB TLEME SACI	HEATING ELEMENT FIXING SHEET	3	4	5
10	2403 0252	GÖVDE YAN KAPAK SACI ALT	BODY SIDE COVER SHEET, BOTTOM	2	2	2
11	1312 0105	KULP 116113301 TUTAMAK	HANDLE 116113301	1	1	1
12	2403 0844	GÖVDE ÜST KORUMA SACI	BODY TOP PROTECTION SHEET	1	1	1
13	2403 1205	ÜST GÖVDE KAPAK	UPPER BODY COVER			1
	2402 1205	ÜST GÖVDE KAPAK	UPPER BODY COVER		1	
	2401 1205	ÜST GÖVDE KAPAK	UPPER BODY COVER	1		
14	2400 0255	ISITICI SAB TLEME SACI	HEATING ELEMENT FIXING SHEET			1
	2402 0249	ISITICI SAB TLEME SACI	HEATING ELEMENT FIXING SHEET		1	
	2401 0449	ISITICI SAB TLEME SACI	HEATING ELEMENT FIXING SHEET	1		
15	1303 0650	C VATA M6x60 AKB	BOLT M6X60 AKB	2	2	2
16	1304 0650	RONDELA DÜZ Q6.4	PLAIN WASHER Q6.4	2	2	2
17	2403 0242	PANEL TAKV YE SACI	BOARD REINFORCING SHEET	2	2	2
18	2403 0815	BORU MERKEZLEME SACI	PIPE CENTERING SHEET	4	4	4
19	2401 4323	PANEL BA L.BOR.304	BOARD CONNECTING PIPE 304	2	2	2
20	1313 0032	SEGMAN 471/32 mm	SEGMENT 471/32 mm	2	2	2
21	2401 4322	KABLO GEÇ BORUSU	CABLE TRANSITION PIPE	1	1	1
22	2401 4324	PANEL BA LAMA Ç BORUSU	BOARD CONNECTION INNER PIPE	1	1	1
23	2403 0220	CAM BA LAMA CAMLI KOMPLE	GLASS CONNECTION WITH GLASS, COMPLETE			1
	2402 0260	CAM BA LAMA CAMLI KOMPLE	GLASS CONNECTION WITH GLASS, COMPLETE		1	
	2401 0460	CAM BA LAMA CAMLI KOMPLE	GLASS CONNECTION WITH GLASS, COMPLETE	1		
24	2402 9023	DÖNER CAMI ROBAX RENKL 750x386x4mm	ROTATING GRILL GLASS, ROBAX, COLOURED			1
	2401 9023	DÖNER CAMI ROBAX RENKL 750x386x4mm	ROTATING GRILL GLASS, ROBAX, COLOURED		1	
	2400 9023	DÖNER CAMI ROBAX RENKL 750x386x4mm	ROTATING GRILL GLASS, ROBAX, COLOURED	1		
25	2403 0221	CAM BA LAMA KOMPLE	GLASS CONNECTION COMPLETE			1
	2402 0261	CAM BA LAMA KOMPLE	GLASS CONNECTION COMPLETE		1	
	2401 0461	CAM BA LAMA KOMPLE	GLASS CONNECTION COMPLETE	1		
26	2403 9036	CERAPAPER	CERAPAPER			4
	2402 9036	CERAPAPER	CERAPAPER		4	
	2401 9036	CERAPAPER	CERAPAPER	4		
27	2403 0823	CAM KIZAK SACI	CAM KIZAK SACI			2
	2402 0832	CAM KIZAK SACI	CAM KIZAK SACI		2	
	2401 0832	CAM KIZAK SACI	CAM KIZAK SACI	2		
28	2403 0852	KAPAK BA LAMA SACI	GLASS CONNECTION SHEET	4	4	4
29	2403 0260	CAM MUHAFAZA KOMPLE	GLASS PROTECTION COMPLETE			1
	2402 0280	CAM MUHAFAZA KOMPLE	GLASS PROTECTION COMPLETE		1	
	2401 0480	CAM MUHAFAZA KOMPLE	GLASS PROTECTION COMPLETE	1		
30	2401 1272	YA TEPS S	DRIP TRAY	1	1	1
31	2401 1283	TEPS SÜZGEÇ SACI SA	TRAY STRAINER SHEET , RIGHT	1	1	1
32	2730 3004	UZATMA 3/4" AISI304	EXTENSION 3/4" AISI304	1	1	1
33	1207 0010	CONTA Ø44-Ø26x2mm V TON	GASKET Ø44-Ø26x2mm V TON	1	1	1
34	2720 1014	G DER BA LAMA PULU	DRAIN CONNECTION WASHER	1	1	1
35	1201 0001	VANA KÜRESEL M N 3/4"	BALL VALVE, MINI 3/4"	1	1	1
36	2401 1282	TEPS SÜZGEÇ SACI SOL	TRAY STRAINER SHEET , LEFT	1	1	1
37	2400 0080	KÜREK KOMPLE	COMPLETE SHOVEL	1	1	1
	2403 0854	KAPAK SACI SOL	COVER SHEET, LEFT			1
	2402 0854	KAPAK SACI SOL	COVER SHEET, LEFT		1	
38	2401 0854	KAPAK SACI SOL	COVER SHEET, LEFT	1		
	2403 0853	KAPAK SACI SA	COVER SHEET, RIGHT			1
	2402 0853	KAPAK SACI SA	COVER SHEET, RIGHT		1	
39	2401 0853	KAPAK SACI SA	COVER SHEET, RIGHT	1		





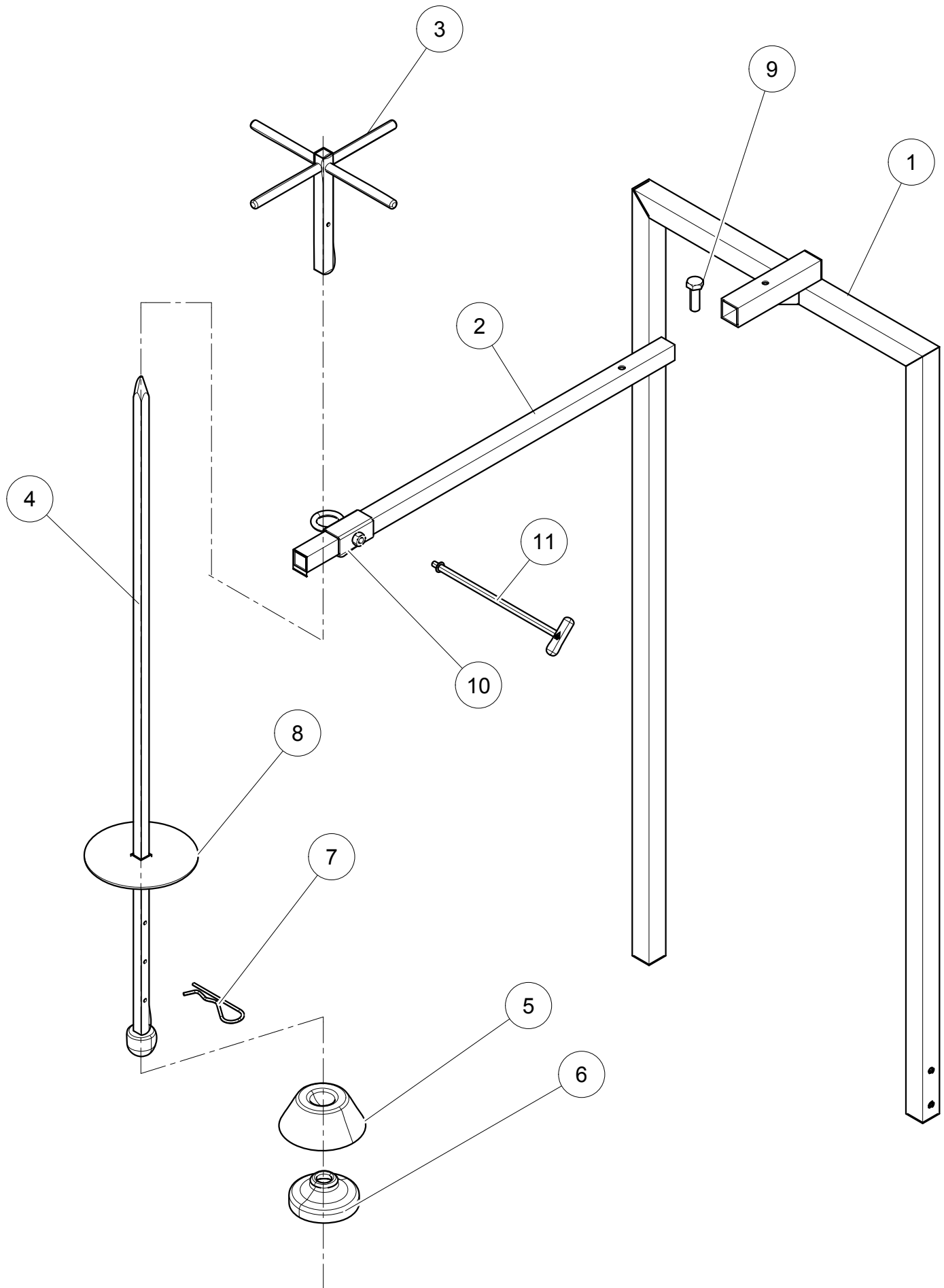
**SERVICE MANUEL OF DONER
KEBAB MACHINE / MANUEL DE
SERVICE FOUR DE DONER À**

MODEL NO PDE 303 - 403 - 503 N
TAR H/DATE 07.02.2017
REV 0
SAYFA /PAGE 8/10

ELEKTRİK AKSAM

ELECTRICAL PARTS

NO	PARÇA NO PART NO	PARÇA ADI	DESCRIPTION OF THE PARTS	ADET PCS		
				PDE 303N	PDE 403N	PDE 503N
1	2403 6021	DÜ ME KOMPLE Ø6 MAÇALI ÇAP:65mm	COMPLETE BUTTON Ø6 WITH MANDREL, DIAMETER: 65 mm	3	4	5
2	2700 4103	DÜ ME YAYI	BUTTON SPRING	3	4	5
3	2700 6003	DÜ ME MAÇASI Ø6mm PA66GF50 UZUN	BUTTON MANDREL Ø6mm PA66GF50 LONG	3	4	5
4	2805 6107	DÜ ME Ø65mm ABS	BUTTON Ø65mm ABS	3	4	5
5	1002 011	AMER KAN PR Z 70020-BLU	SOCKET 70020-BLU	1	1	1
6	1004 0033	RAY KLEMENS AVK 16 RD GR	RAIL CONNECTOR 16 RD GRAY	3	3	3
7	1004 0056	KLEMENS AVK16 TOPRAK	CONNECTOR AVK 16 EARTH	1	1	1
8	1003 1017	METAL SOMUN	METAL NUT	1	1	1
10	2620 7015	KLEMENS RAYI 80mm	CONNECTOR RAIL 80 mm	1	1	1
11	1007 0002	ISITICI 750W 230V DÖNER O.	HEATING ELEMENT 750 W 230 V ROTATING GRIL	9	12	15
12	1001 0302	ALTER 49.27215.000 6.KON x	SWITCH 49.27215.000 6.KON x	3	4	5





**SERVICE MANUEL OF DONER
KEBAB MACHINE / MANUEL DE
SERVICE FOUR DE DONER À**

MODEL NO PDE 303 - 403 - 503 N
TAR H/DATE 07.02.2017
REV 0
SAYFA /PAGE 10/10

AKSAM

NO	PARÇA NO PART NO	PARÇA ADI	PART NAME	ADET PCS		
				PDE 303N	PDE 403N	PDE 503N
1	2403 4310	KARKAS KOMPLE	FRAMEWORK FULL			1
	2401 4310	KARKAS KOMPLE	FRAMEWORK FULL	1		
	2402 4310	KARKAS KOMPLE	FRAMEWORK FULL		1	
2	2401 4371	DÖNER TA IYICI PROF L KOMPLE	PROFILE FULL NEW	1	1	1
3	2401 3180	DÖNER ALEM KOMPLE	BANNER FULL	1	1	1
4	2403 4321	KOMPLE 860mm PDE503/503E-PDG500(YEN)	SKEWER FULL 860mm PDE503/503E-PDG500(NEW)			1
	2401 3381	KOMPLE 570mm PDE303/303E-PDG300(YEN)	SKEWER FULL 570mm PDE303/303E-PDG300(NEW)	1		
	2402 3081	KOMPLE 724mm PDE403/403E-PDG400(YEN)	SKEWER FULL 724mm PDE403/403E-PDG400(NEW)		1	
5	2401 1250	ALT KABI KOMPLE	SUB SKEWER CONTAINER FULL	1	1	1
6	2401 6003	KÖRÜ Ü (2"MERÇ.302 ARKA TOZ)	(2"MERÇ.302 BACK POWDER)	1	1	1
7	2400 3133	F RKETE () Ø3X180	HAIRPIN (SKEWER) Ø3X180	1	1	1
8	2400 0010	AYNA SACI KÜÇÜK KOMPLE	COMPLETE	1	1	1
9	1303 0500	C VATA M5X16 AKB	BOLT M5X16 AKB	1	1	1
10	2402 4391	ÜST YATA I KOPLA	SKEWER TOP BEARING COMP.	1	1	1
11	2401 3380	SAB TLEME KOLU	FIXING SOLE	1	1	1